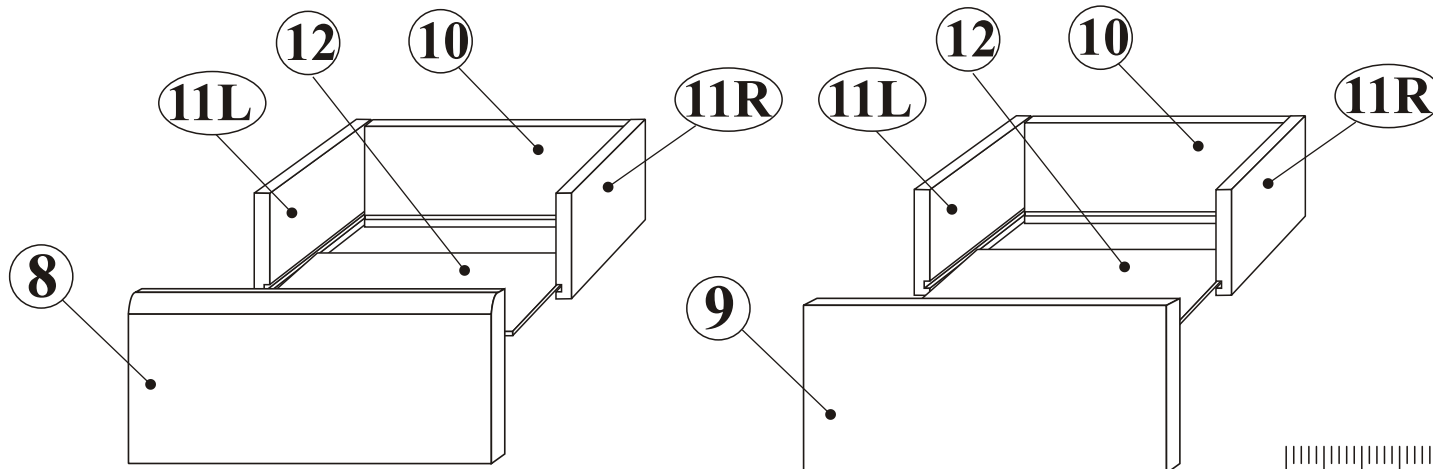
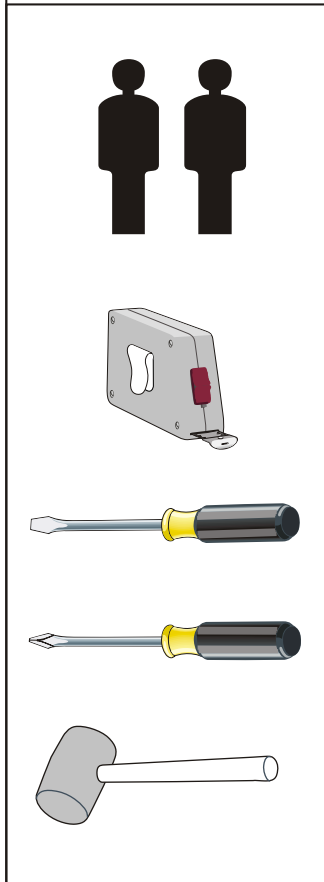
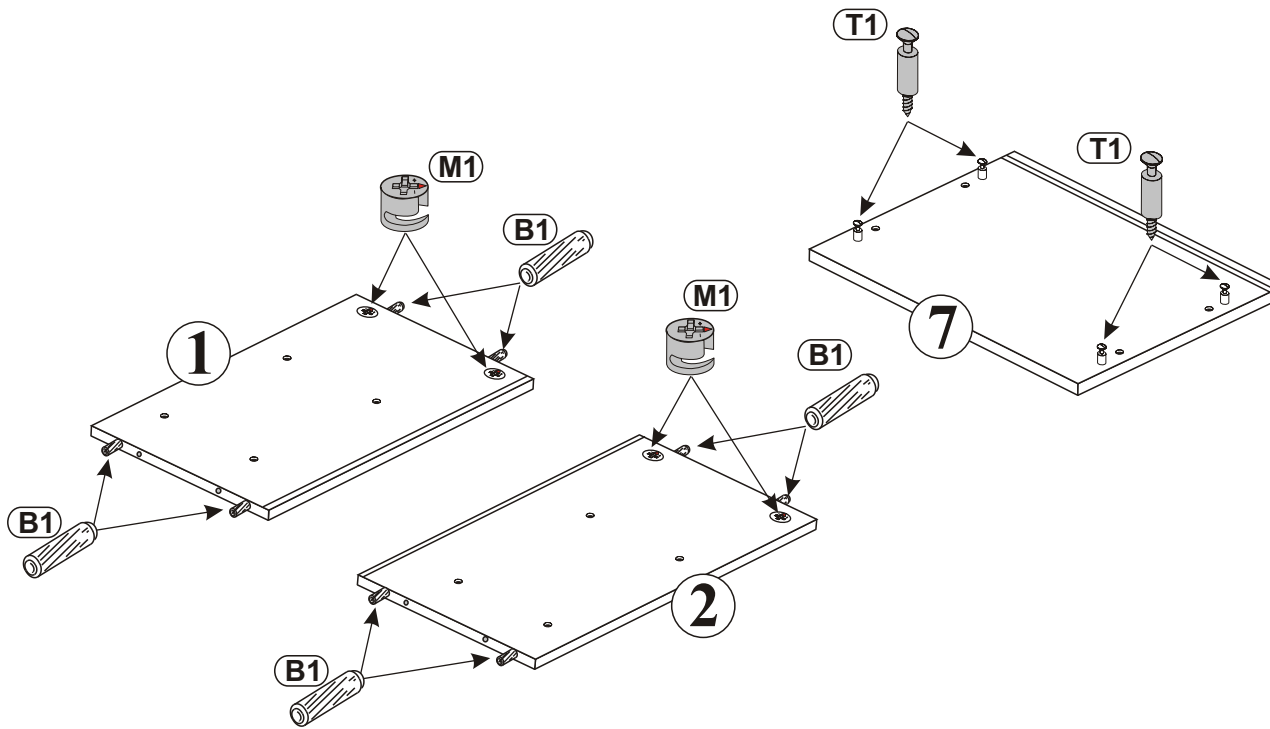







- NR 1**
- (B1)** 8x28 x8
 - (M1)** x4
 - (T1)** x4
 - (K1)** Ø7x50mm x4
 - (L1)** x1
 - (F33)** x6
 - (P3)** 3,5x16mm x24
 - (J23)** x4

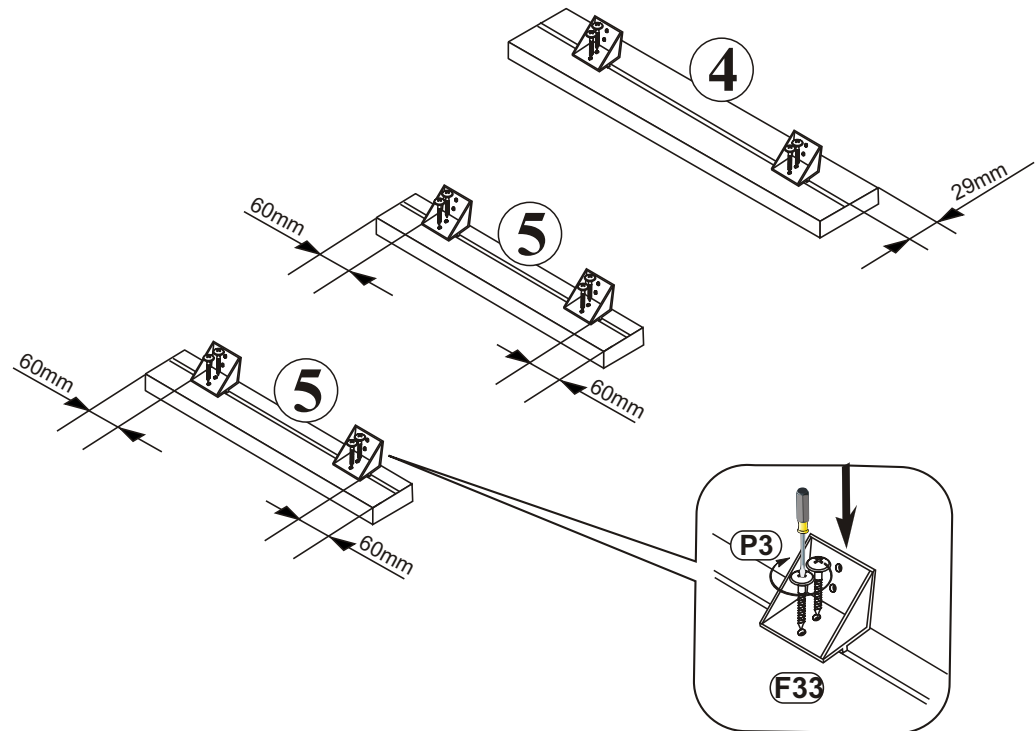
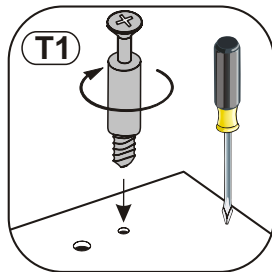
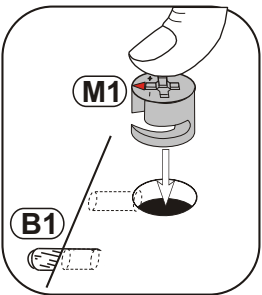
- NR 2**
- (R33)** x2L/2R
 - (E24)** 6,0x11 x8
 - (P5)** 4x30 x4



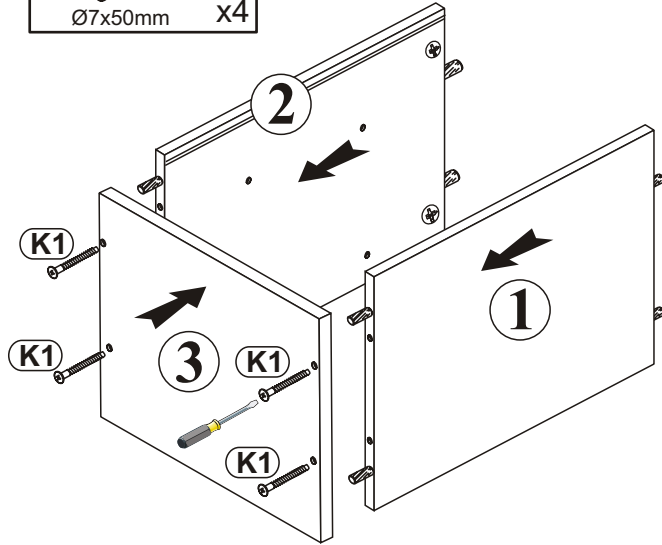
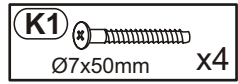
1



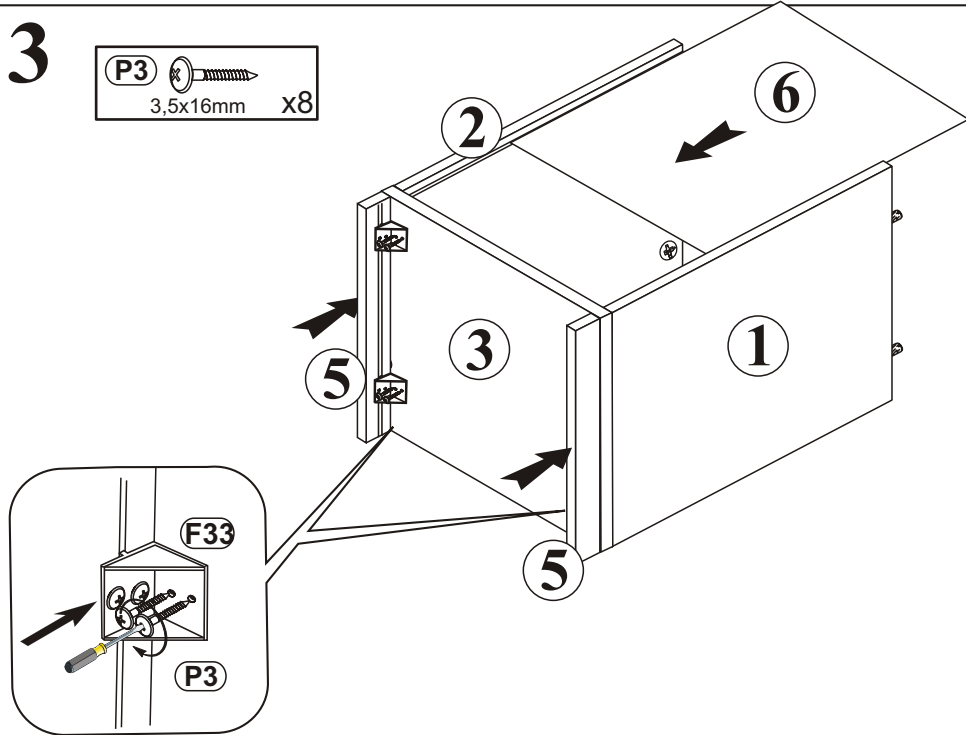
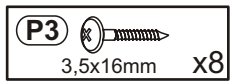
F33  x6	B1  x8 8x28
P3  x12 3,5x16mm	M1  x4
T1  x4	



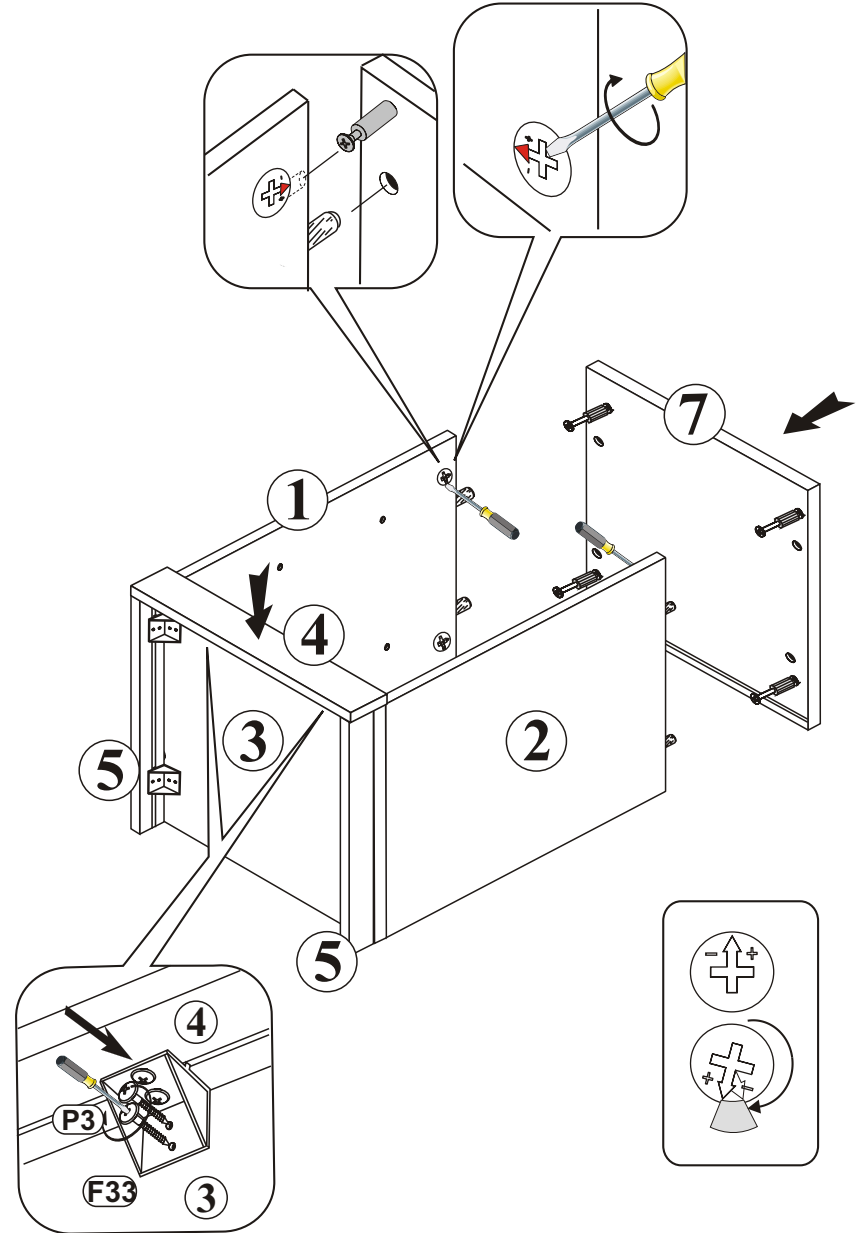
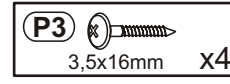
2



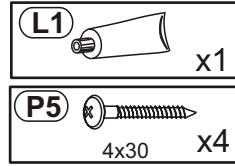
3



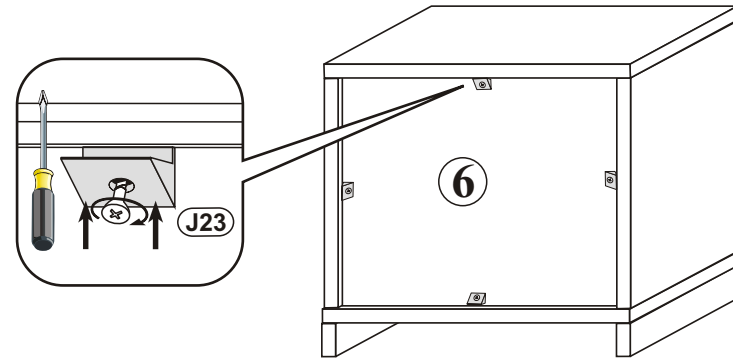
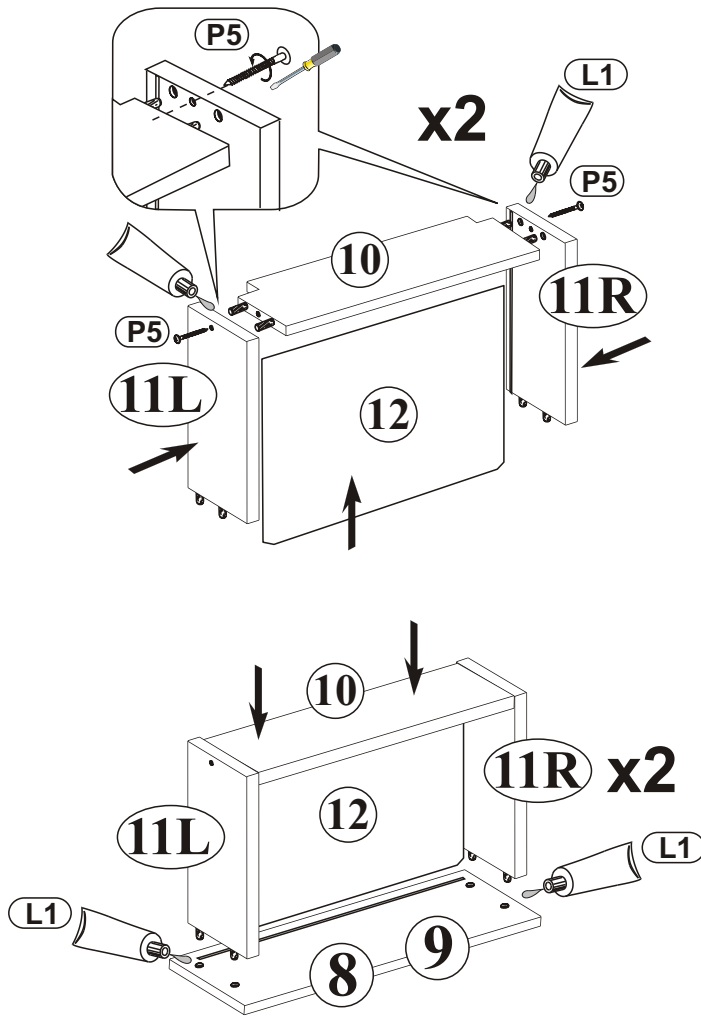
4



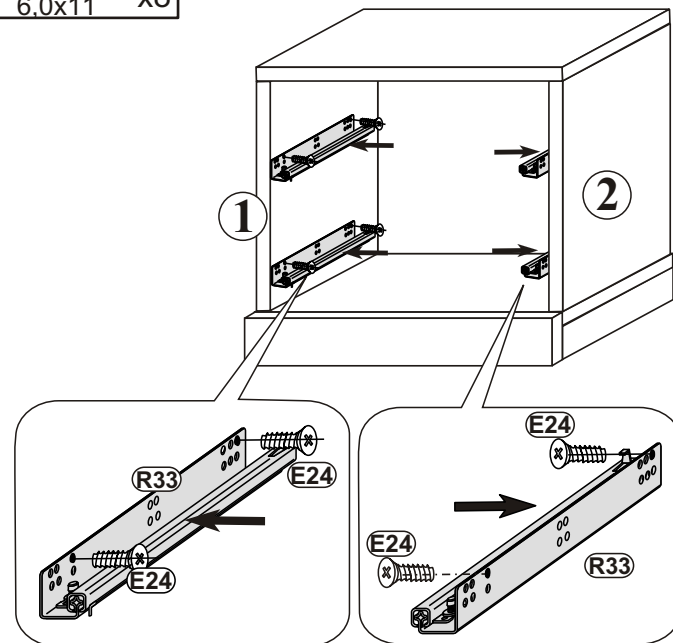
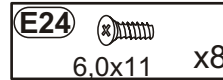
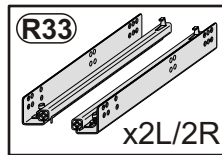
5



6



7



8

