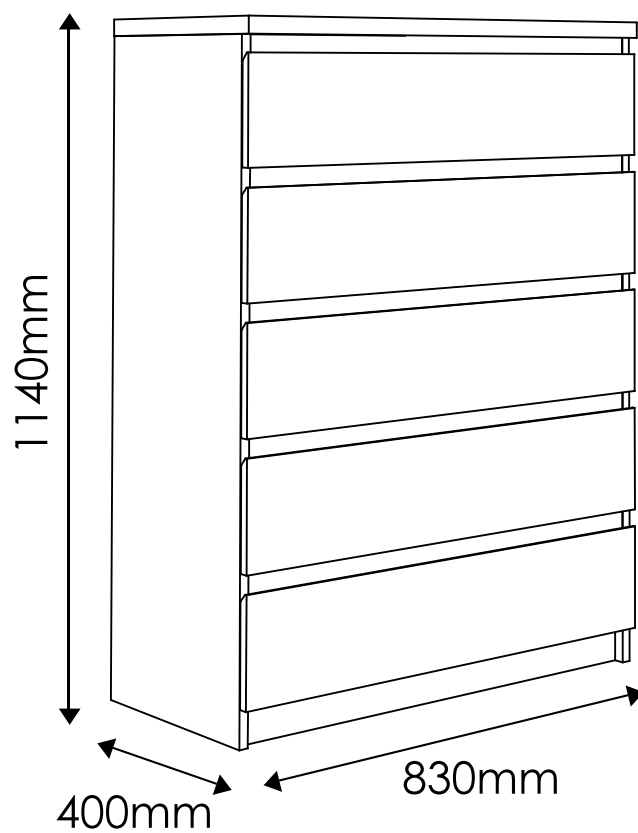


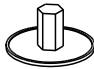


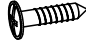

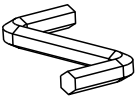

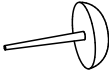
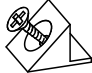
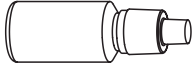
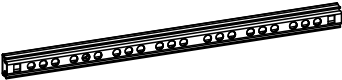



PELLO

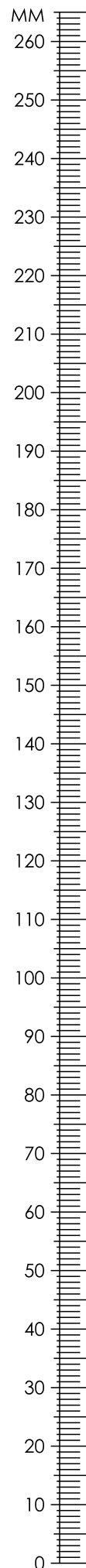
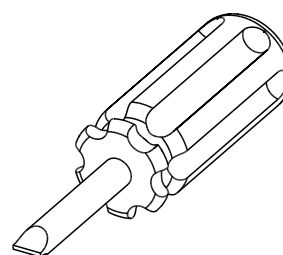
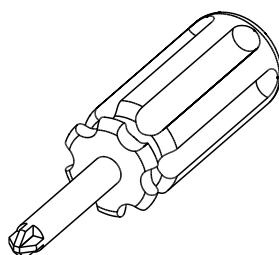
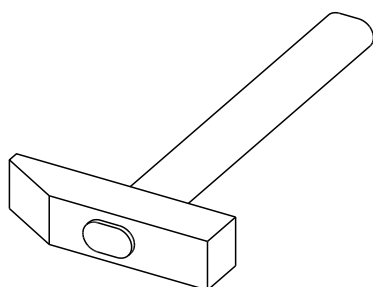
TYP 31 - Komoda 5S (80)



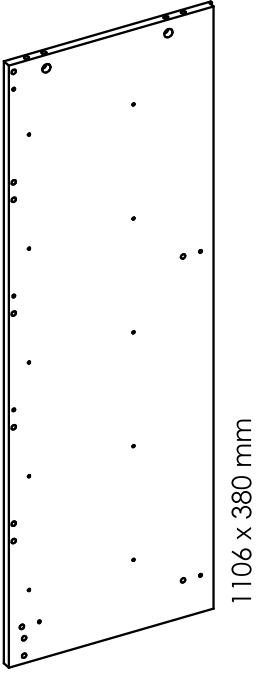
Kovanie:

A1 48 ks $\varnothing 8 \times 35\text{mm}$ 	C2 5 x 13mm 	E0 16 ks (do E1) 
E1 16 ks $\varnothing 15 \times 12\text{mm}$ 	F1 16 ks $\varnothing 6 \times 34\text{mm}$ 	I2 1 ks 4 x 16mm 
K1 10 ks M4 x 8mm 	M 1 ks 	N1 60 ks 3 x 16mm 
O2 	R4 	S 1 ks 
T0 10 ks 	Q9 1 ks 	

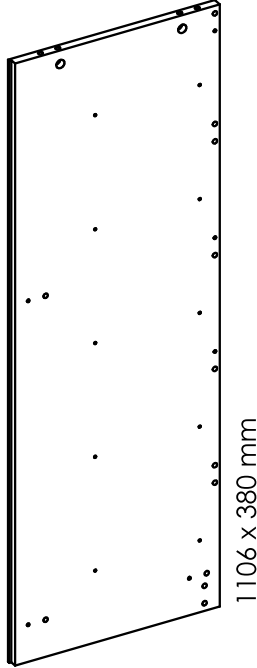
Potrebné náradia:



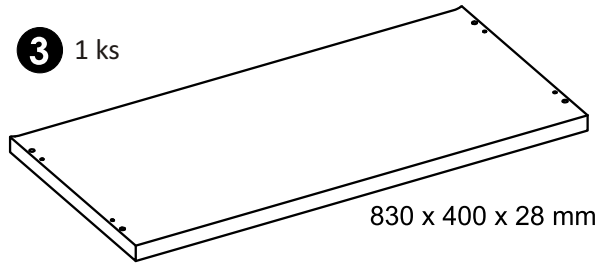
1 1 ks



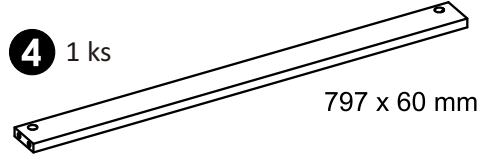
2 1 ks



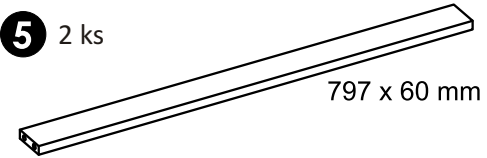
3 1 ks



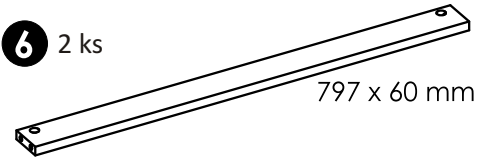
4 1 ks



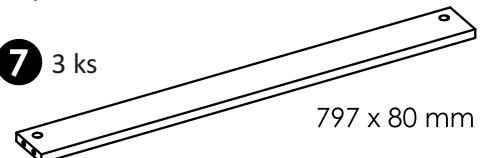
5 2 ks



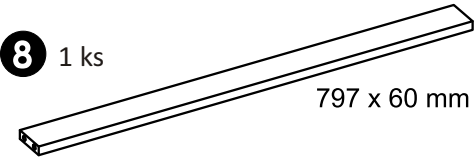
6 2 ks



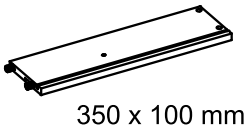
7 3 ks



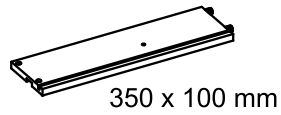
8 1 ks



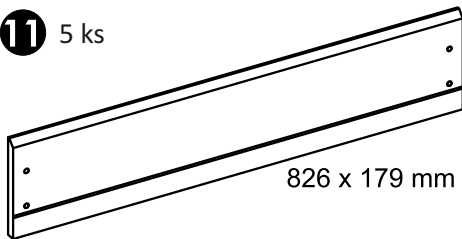
9 5 ks



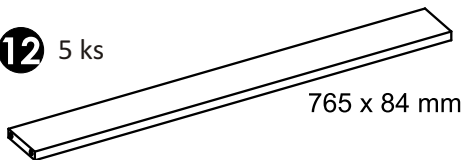
10 5 ks



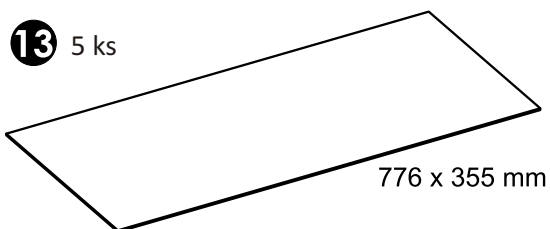
11 5 ks



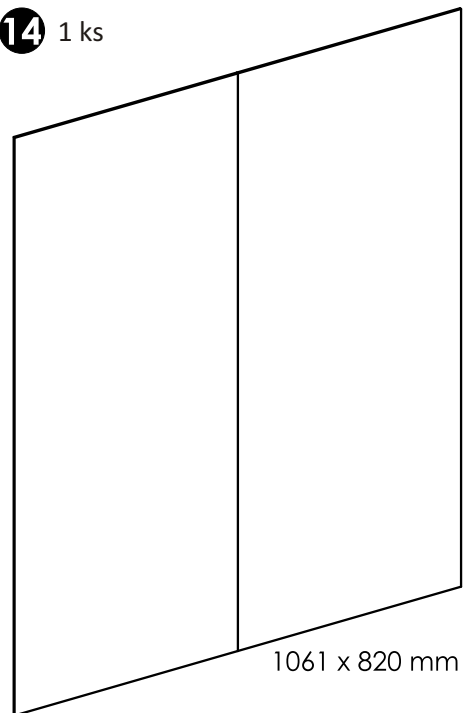
12 5 ks



13 5 ks



14 1 ks

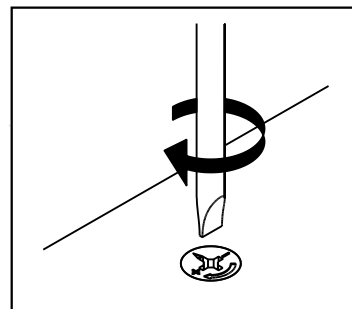
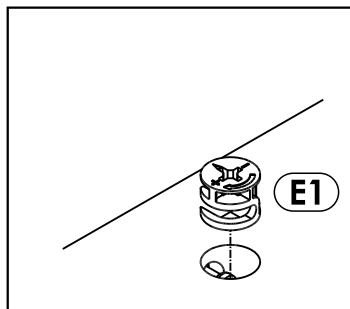
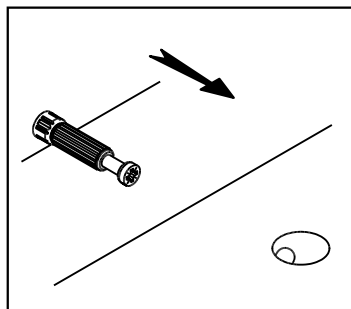
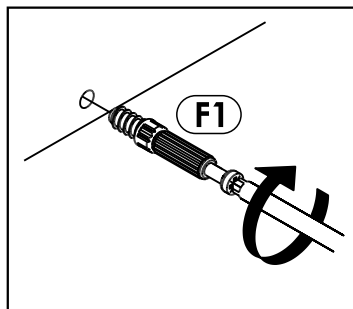


Krok 1:

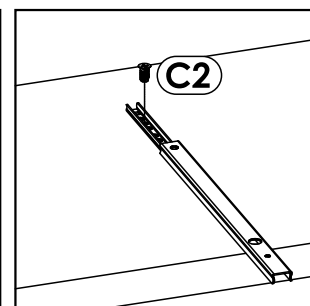
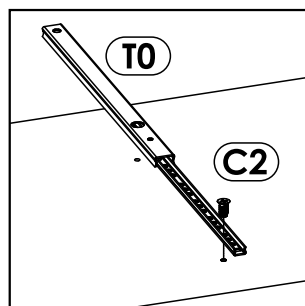
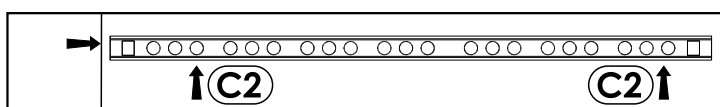
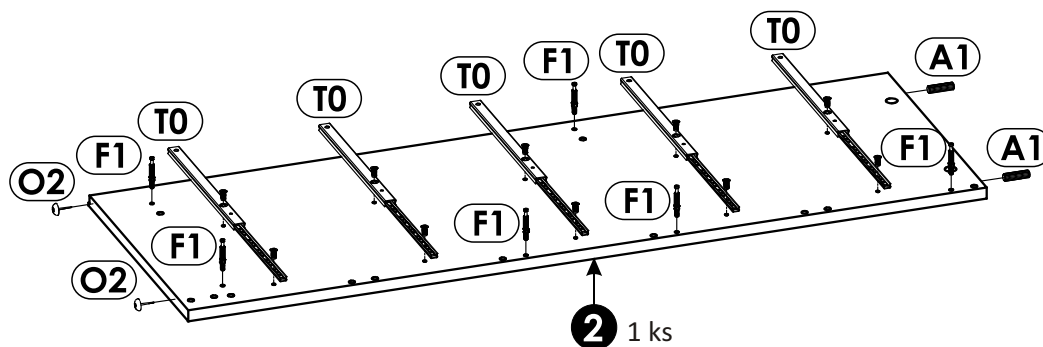
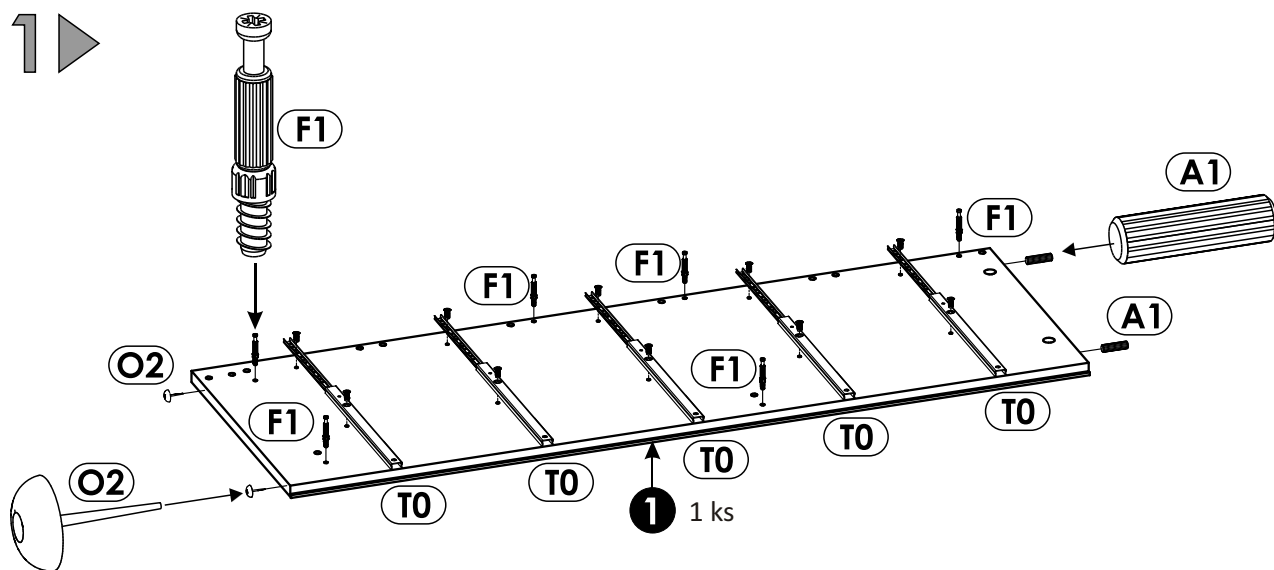
Krok 2:

Krok 3:

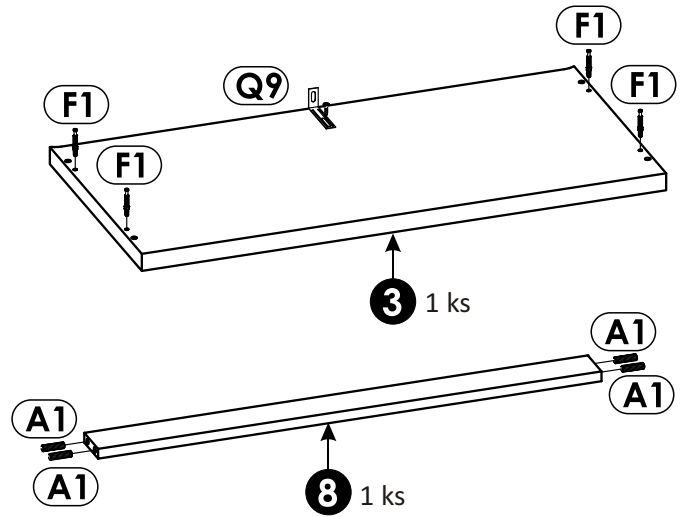
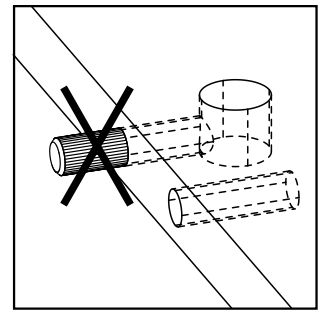
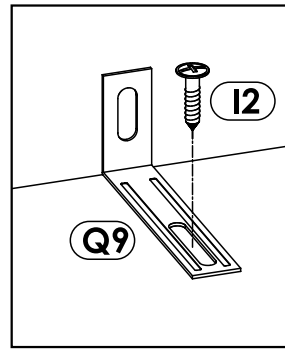
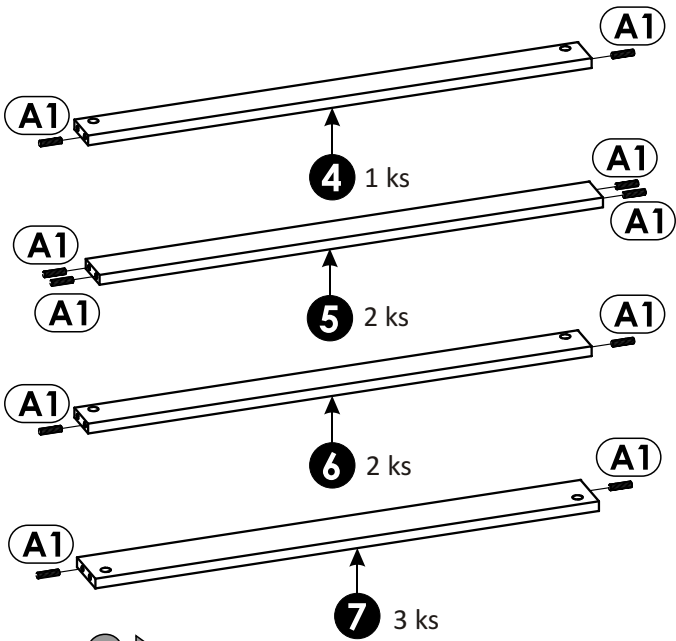
Krok 4:



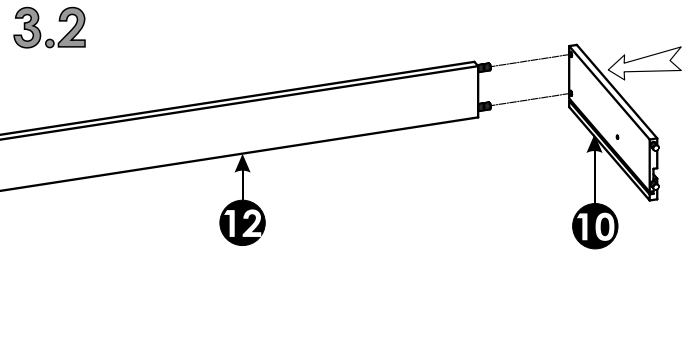
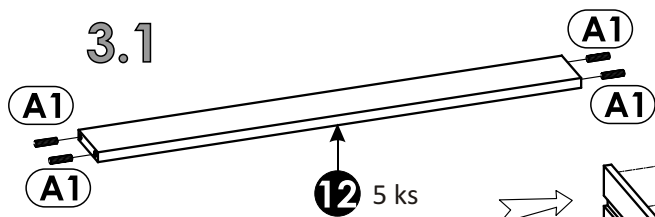
1 ▶



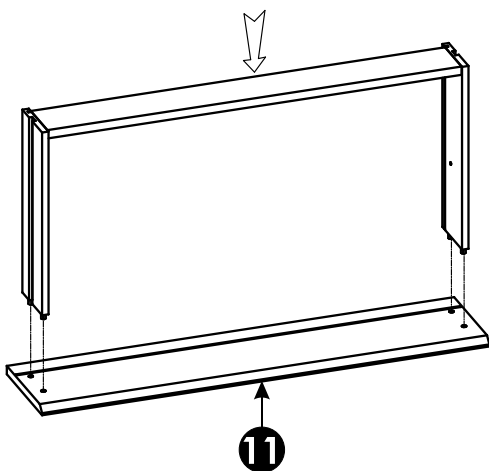
2 ▶



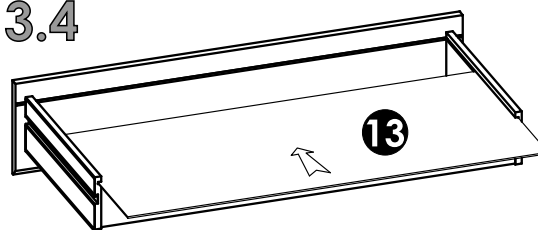
3 ▶



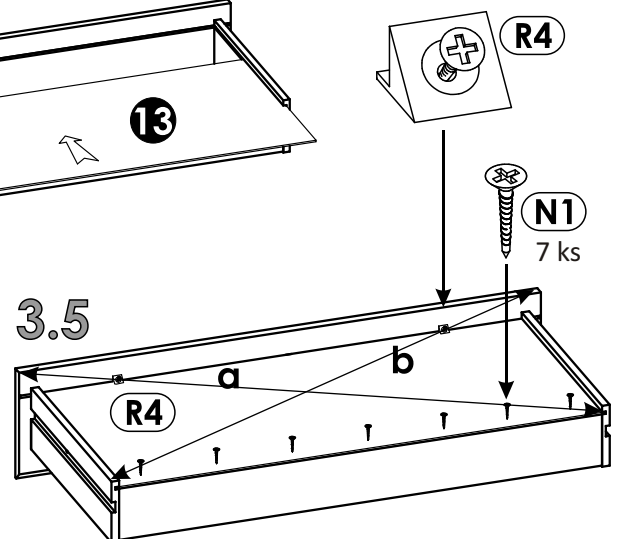
3.3



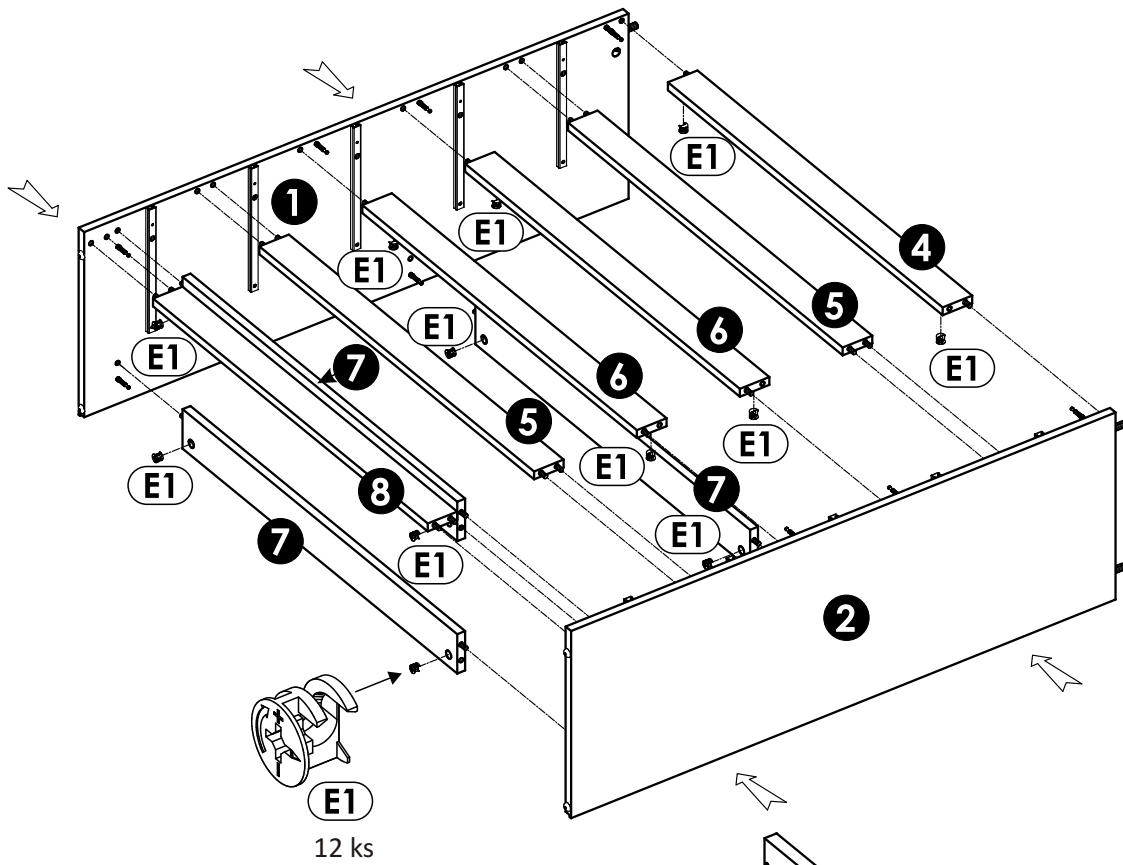
3.4



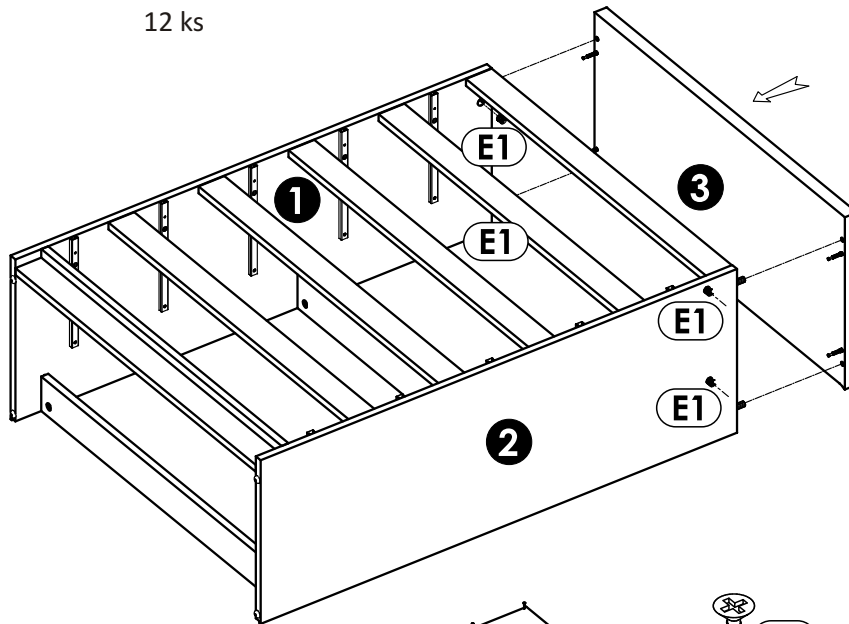
3.5



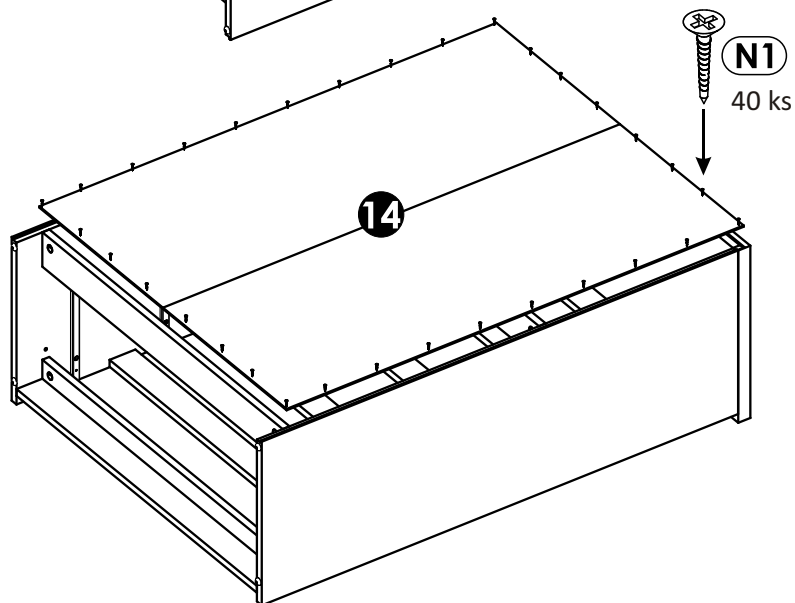
4 ▶



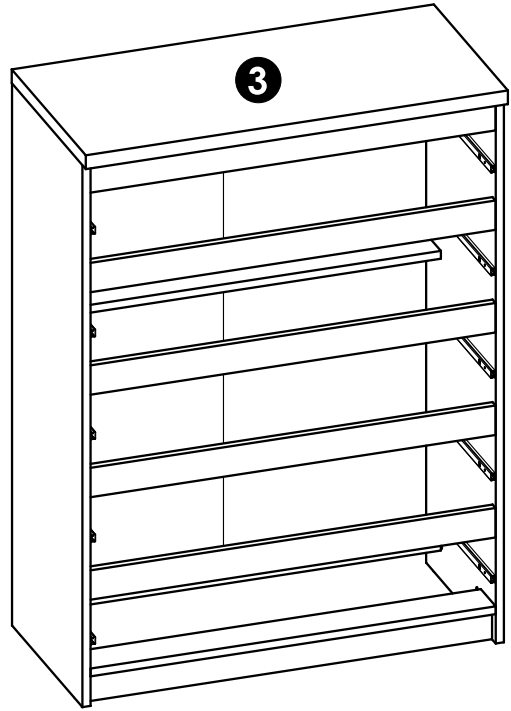
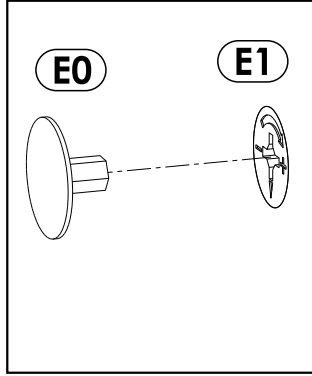
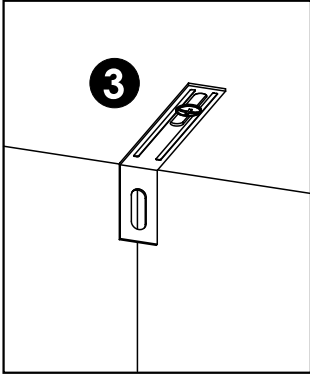
5 ▶



6 ▶



7 ▶



8 ▶

