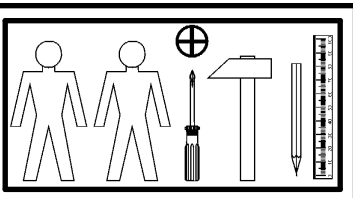
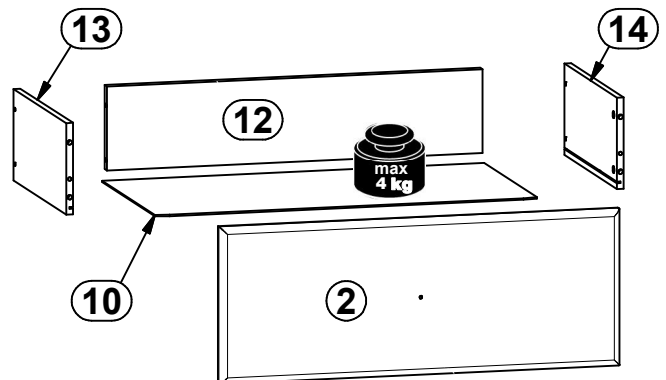
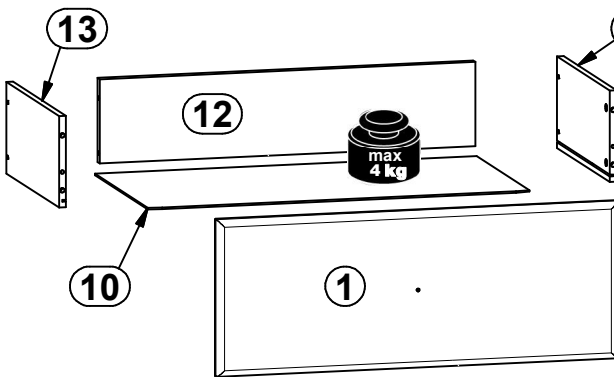
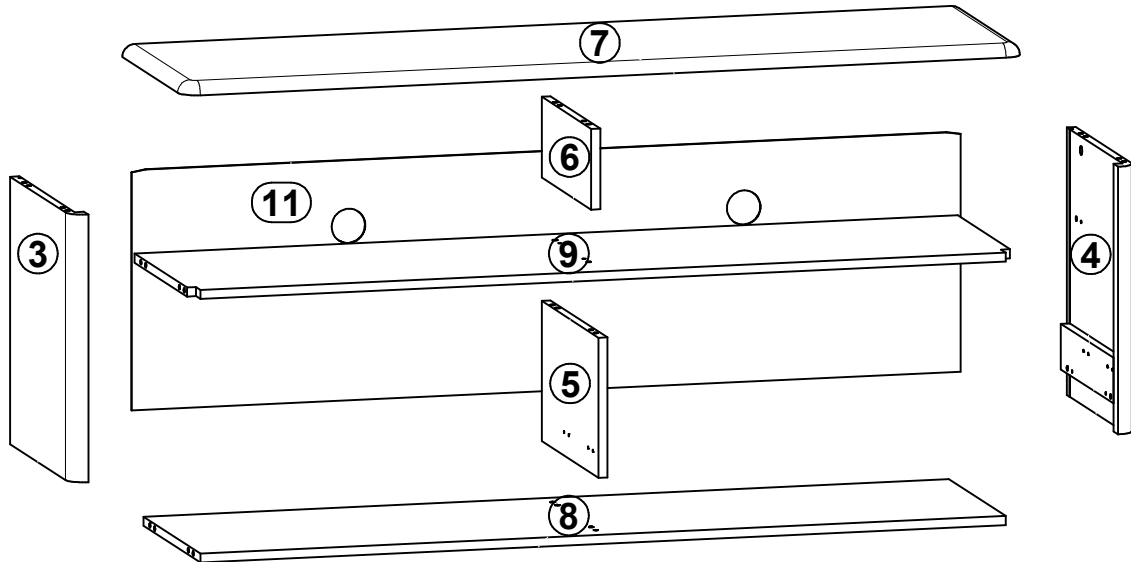
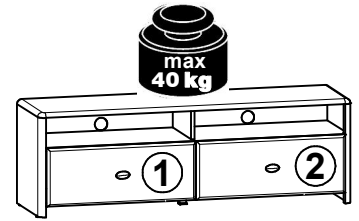
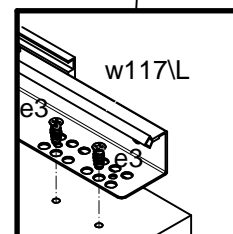
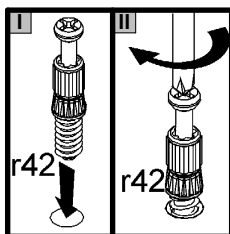
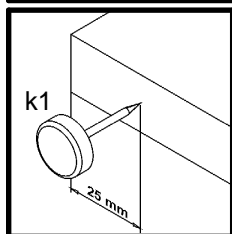
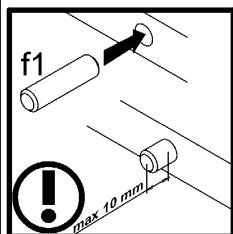
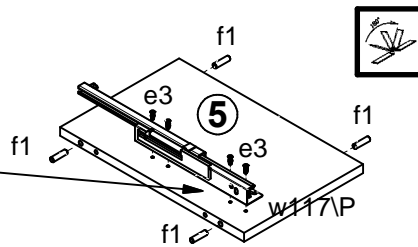
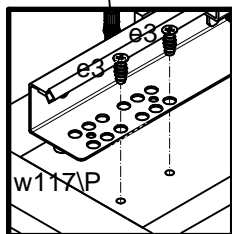
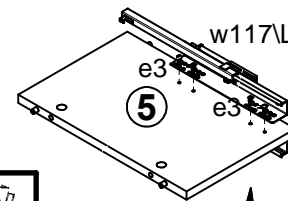
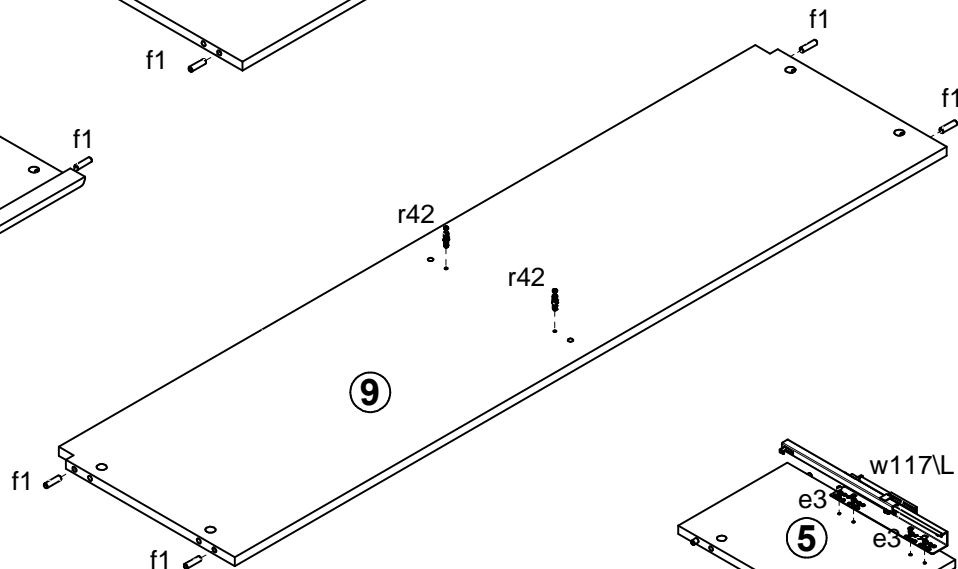
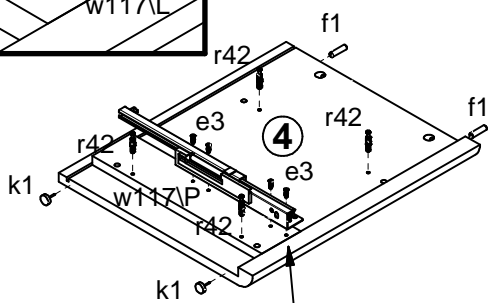
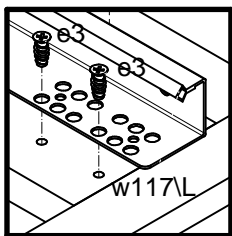
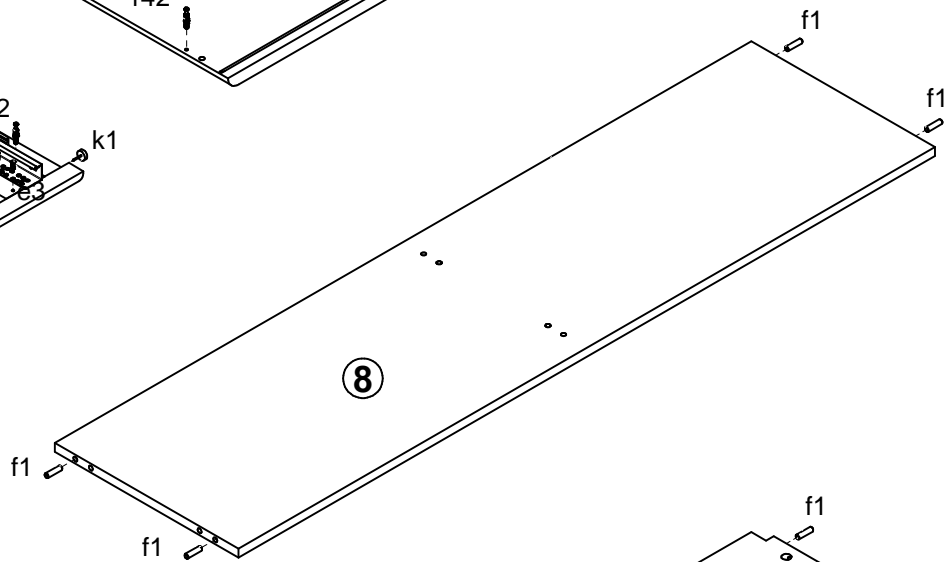
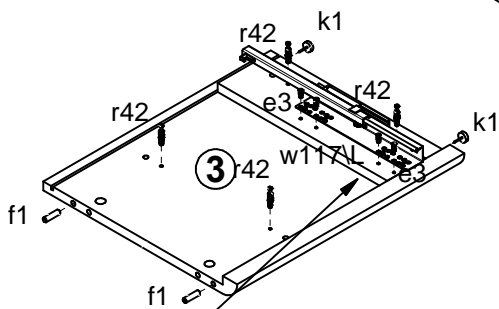
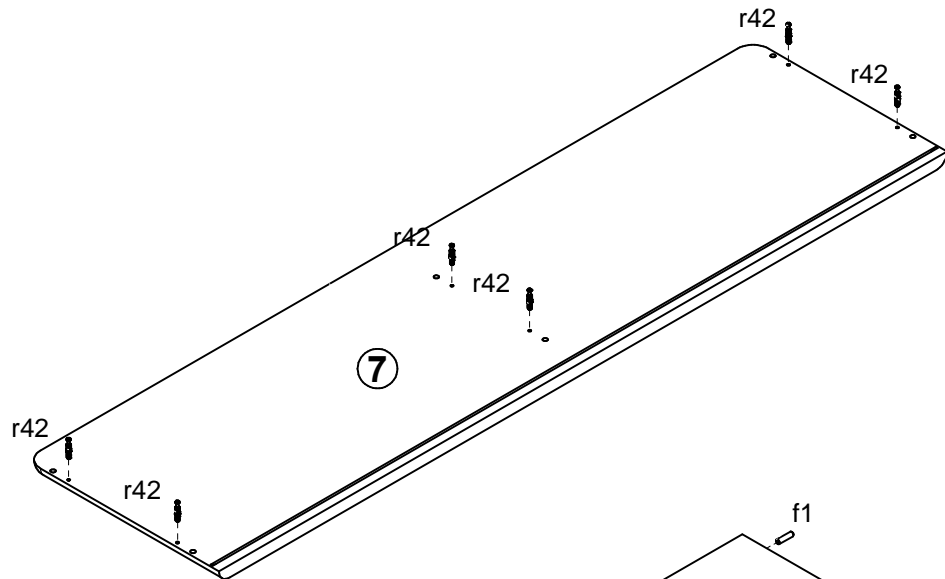
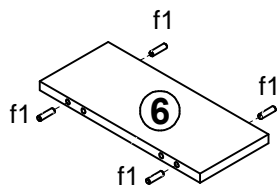


A	B	C	D	A	B	C	D		
1	S349-0003	713	275	2/2	8	S349-3002	1434	378	1/2
2	S349-0004	713	275	2/2	9	S349-3006	1466	378	1/2
3	S349-1004	468	399	1/2	10	S349-9002	680	355	1/2
4	S349-1005	468	399	1/2	11	S349-9005	420	1476	1/2
5	S349-1006	245	378	1/2	12	ZQ2-579	350	120	1/2
6	S349-1013	141	330	1/2	13	ZQ3-503	350	120	1/2
7	S349-2002	1499	399,5	1/2	14	ZQ3-504	350	120	1/2

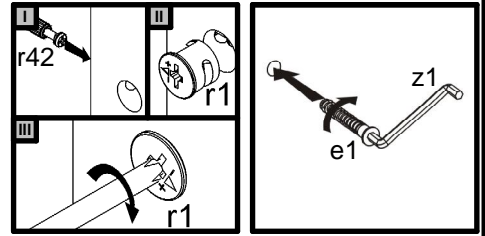
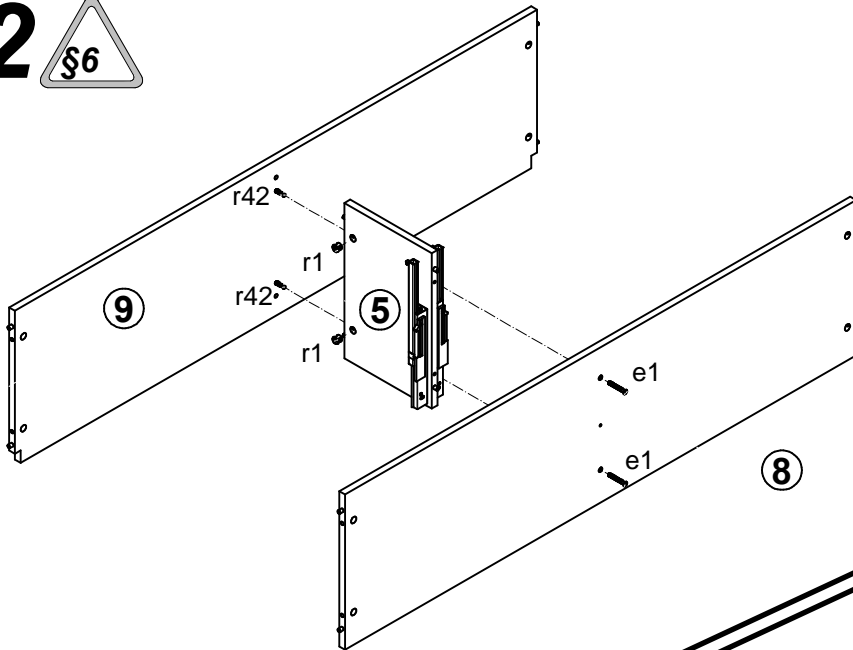


2x M4 c437	2x Ø7x50 mm e1	1x Ø6,3x13 mm e2	16x Ø6x13 mm e3	20x Ø8x30 mm f1	4x Ø6x30 mm f9	8x Ø6,5x40 mm f25	2x M4x28 mm j11	4x k1
1x 42,5x42,54 mm k3813	1x 30x30x45 mm k38111	35x l1	9x l2	6x Ø3,5x16 mm p25	2x Ø3,5x10 mm p35	12x Ø3,5x16 mm p38	18x Ø15x12 mm #16 r1	8x Ø12x10,5 mm #12 r15
26x 20/11 r42	2x 350 mm t35	2x 350 mm W117/L	2x 350 mm W117/P	1x 4 mm z1	7x Ø 20mm s68	1x n2611	1x p38	

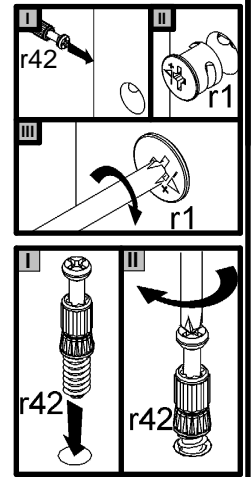
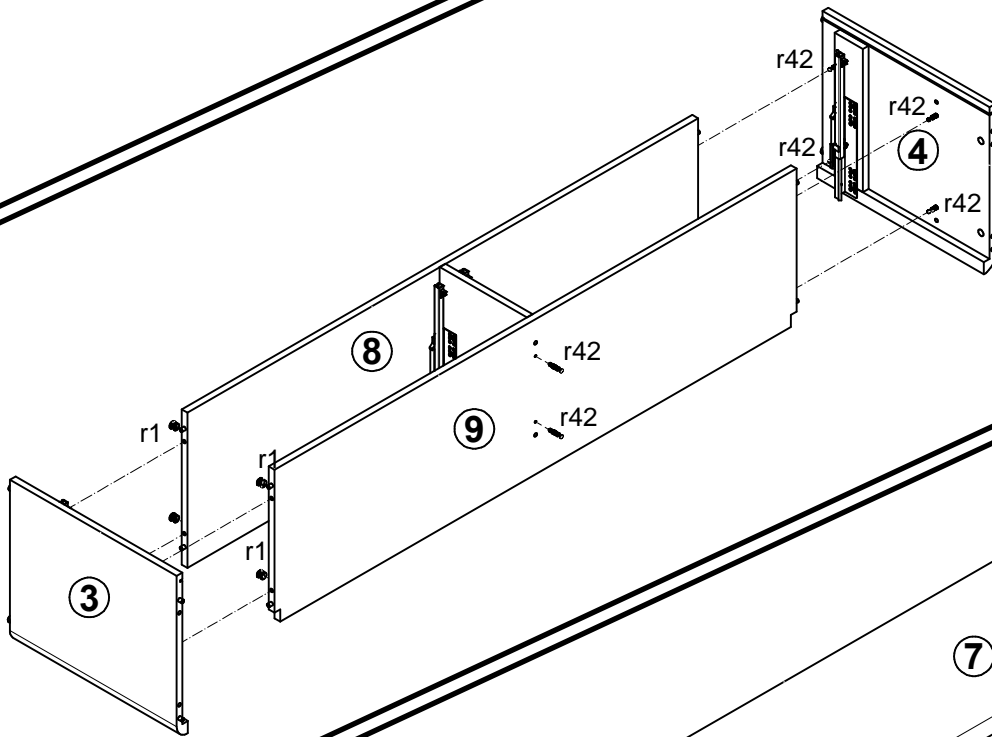
1 



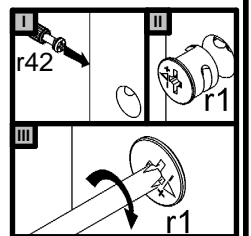
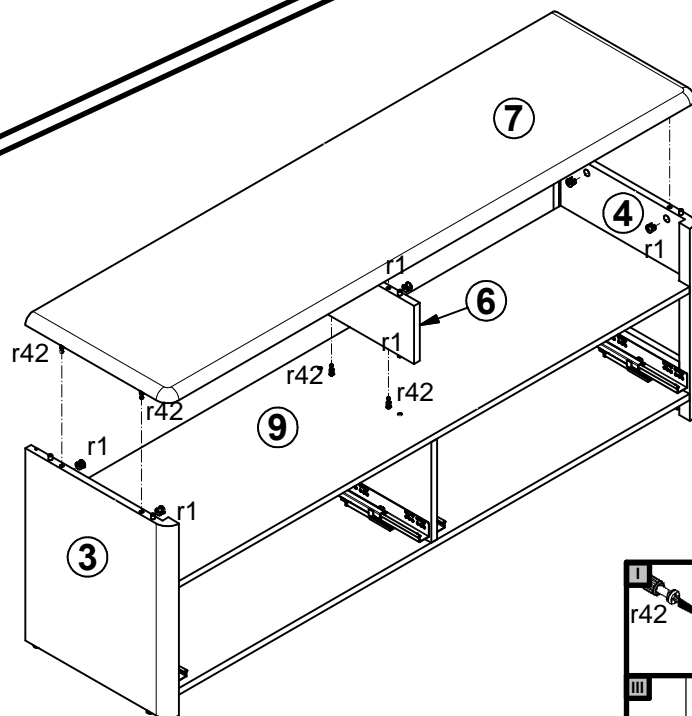
**2** §6



**3**



**4**



# 5

