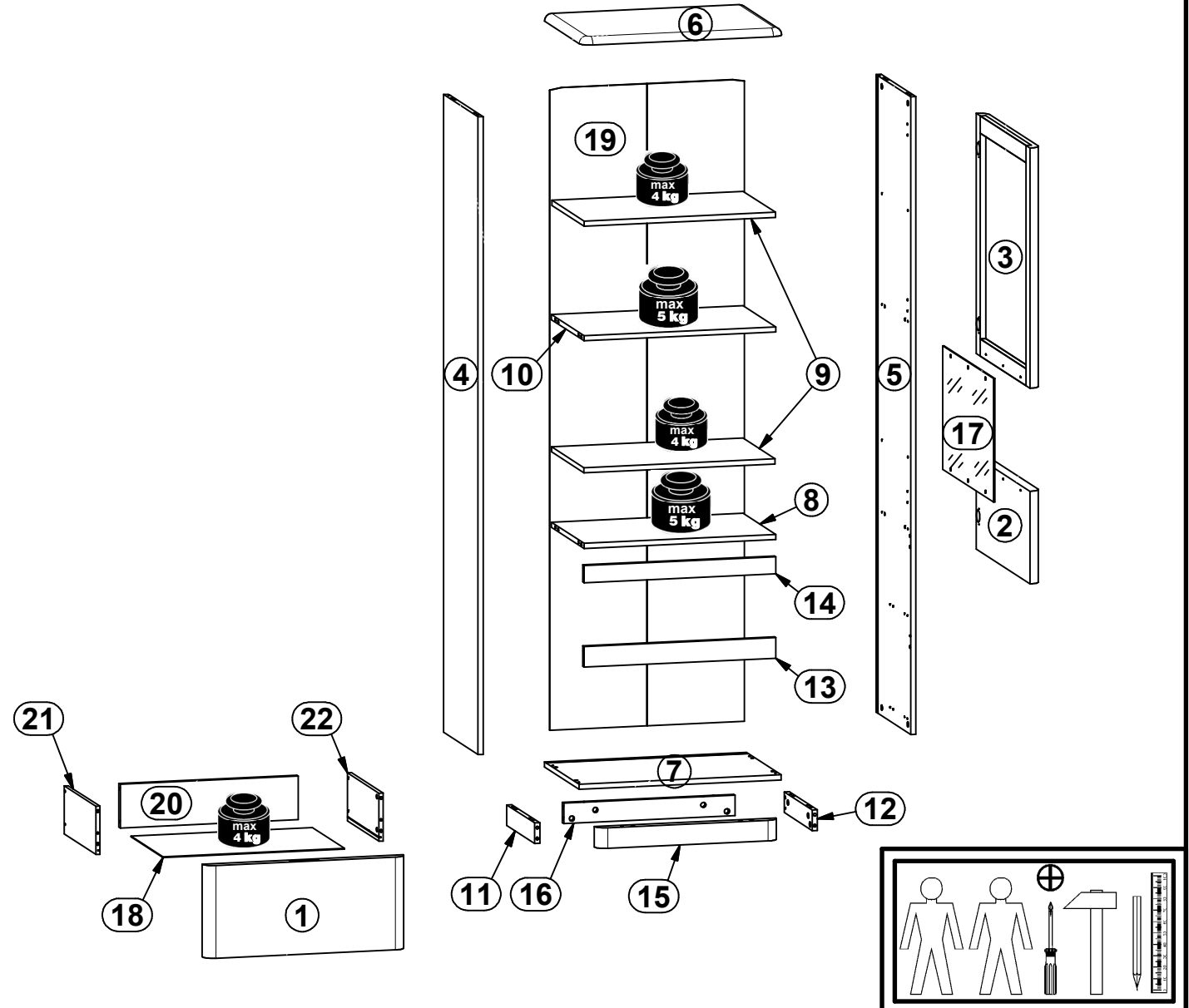
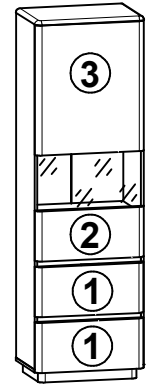


A

BRAGA

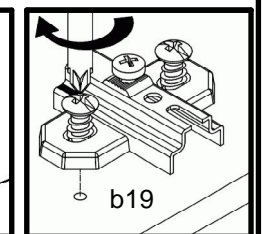
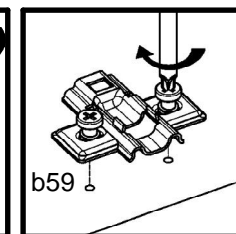
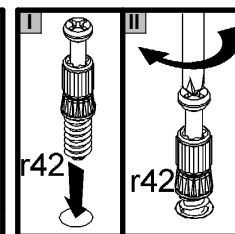
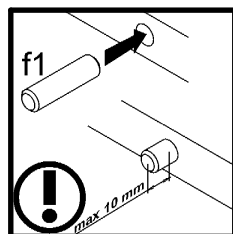
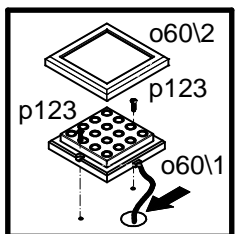
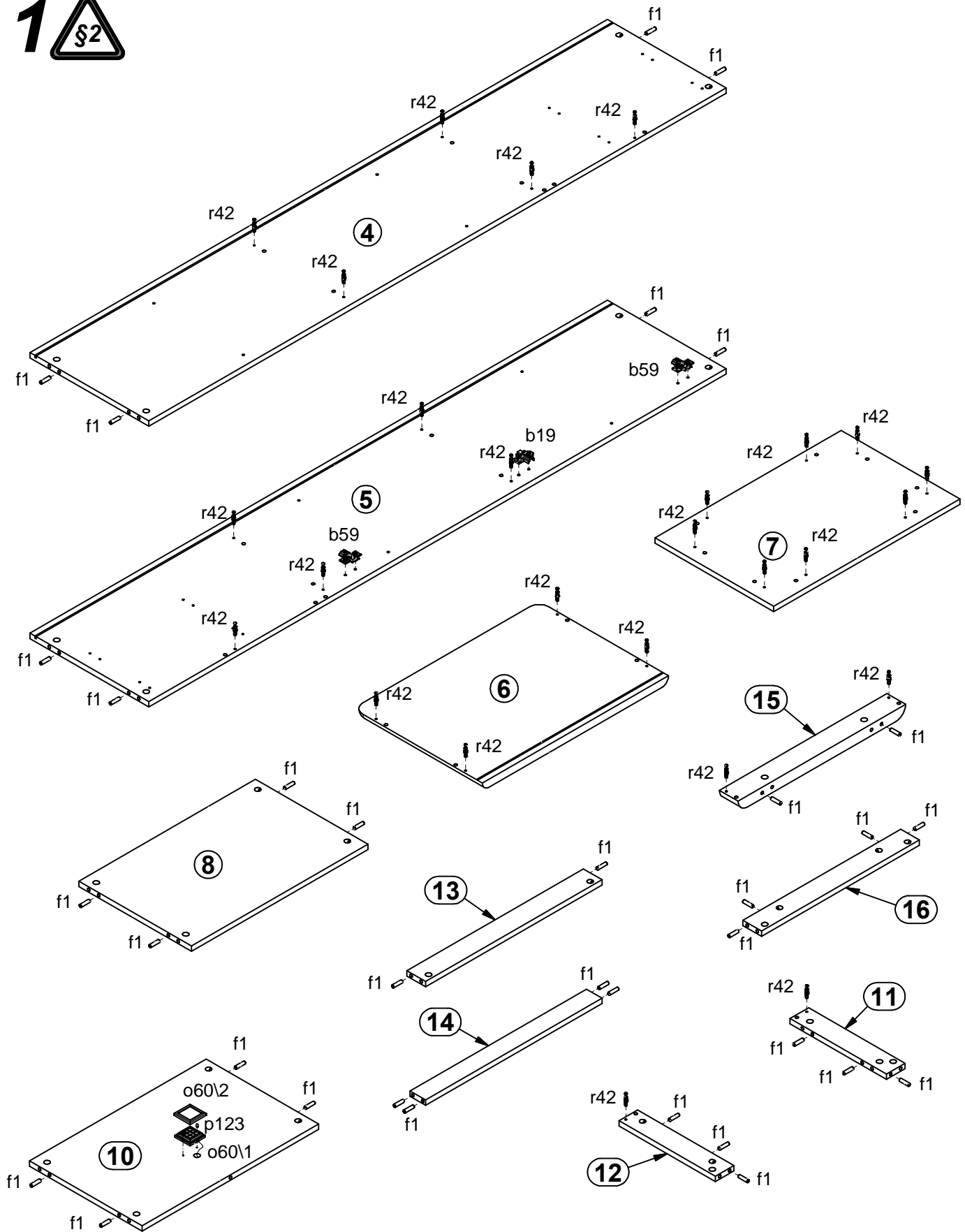
S348-REG1W2S

A	B	C	D	A	B	C	D		
1	S348-0013	596	270	3/3	12	S348-4004	310	60	2/3
2	S348-0014	596	270	3/3	13	S348-4012	568	60	2/3
3	S348-0015	700	596	3/3	14	S348-4013	568	50	2/3
4	S348-1012	1858	382	1/3	15	S348-4014	539	60	2/3
5	S348-1013	1858	382	1/3	16	S348-4015	508	60	2/3
6	S348-2009	599	416	2/3	17	S348-5001	563	360	2/3
7	S348-2010	599	382	2/3	18	S348-9005	538	355	2/3
8	S348-3006	568	362	2/3	19	S348-9304	1871	577	1/3
9	S348-3007	567	357	2/3	20	ZQ2-584	528	127	2/3
10	S348-3008	568	362	2/3	21	ZQ3-501	350	140	2/3
11	S348-4003	310	60	2/3	22	ZQ3-502	350	140	2/3

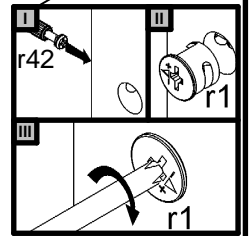
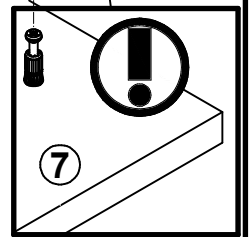
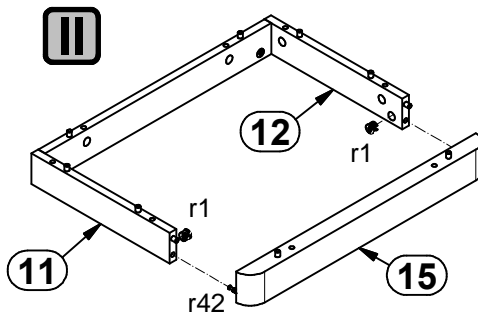
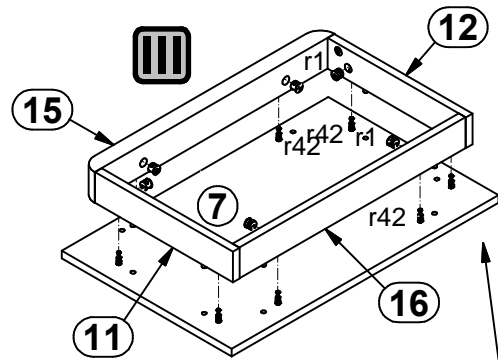
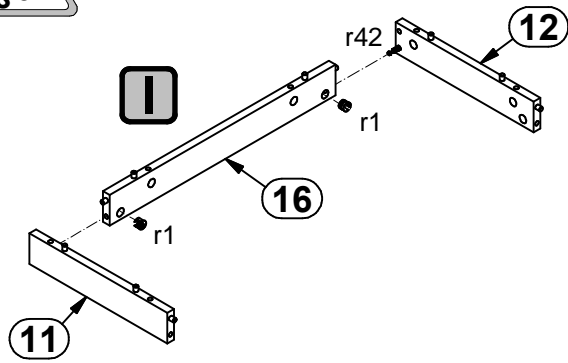


1x a44	2x a102	1x b19	2x b59	3x c94	8x d1	16x e3	6x e41	34x f1
4x f9	8x f25	1x f35	4x k1	15x l1	16x l2	1x n14\2	6x o54	1x o60\1
1x o60\2	1x o60\3	1x p17	12x p38	6x p51	4x p55	2x p123	30x r1	8x r15
38x r42	2x 350 mm W117\L	2x 350 mm W117\P	4x s2					

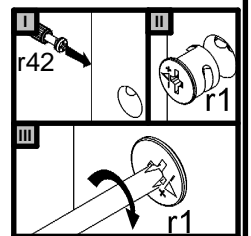
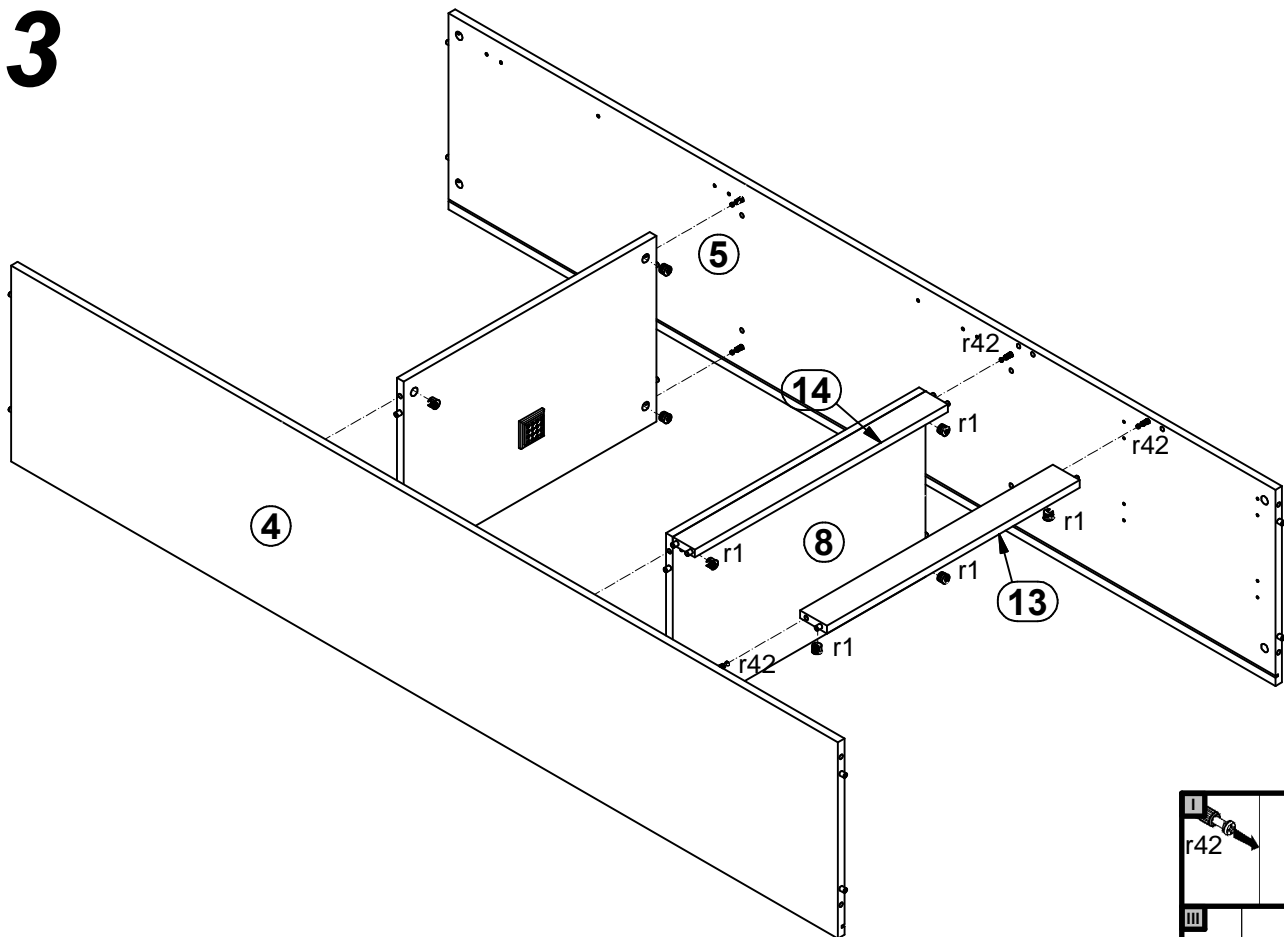
1 

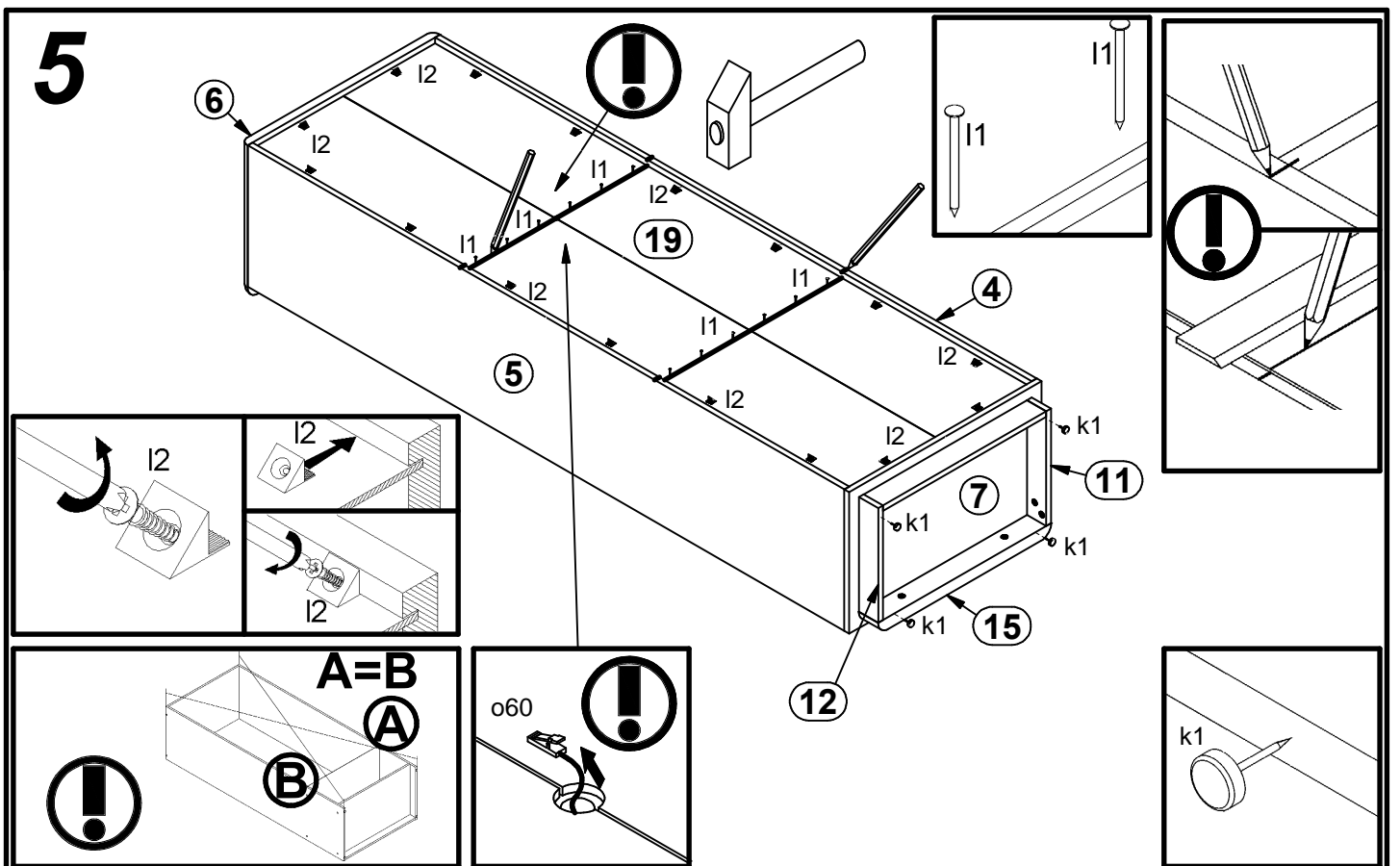
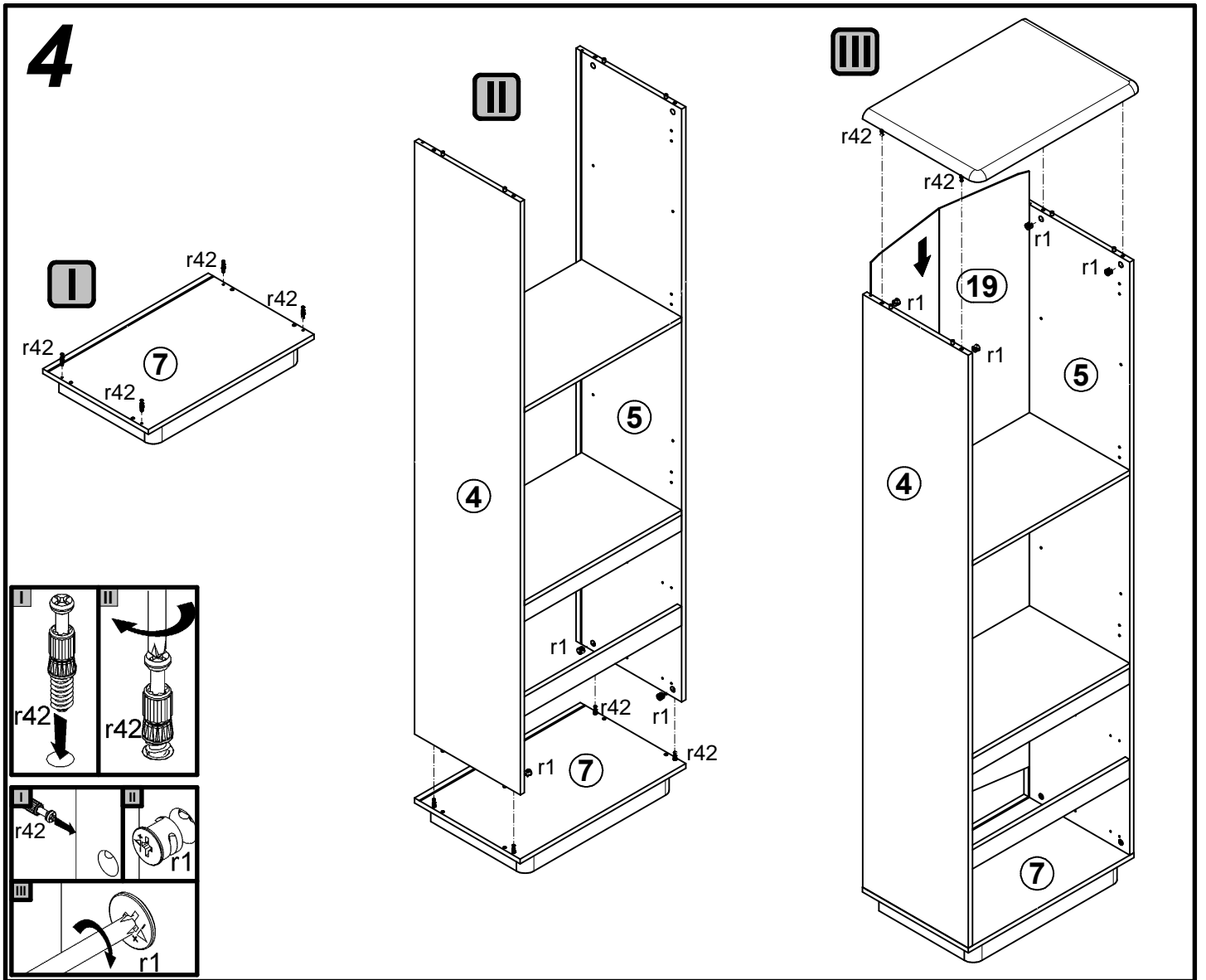


2

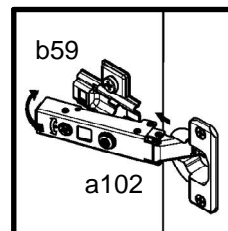
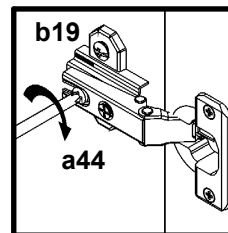
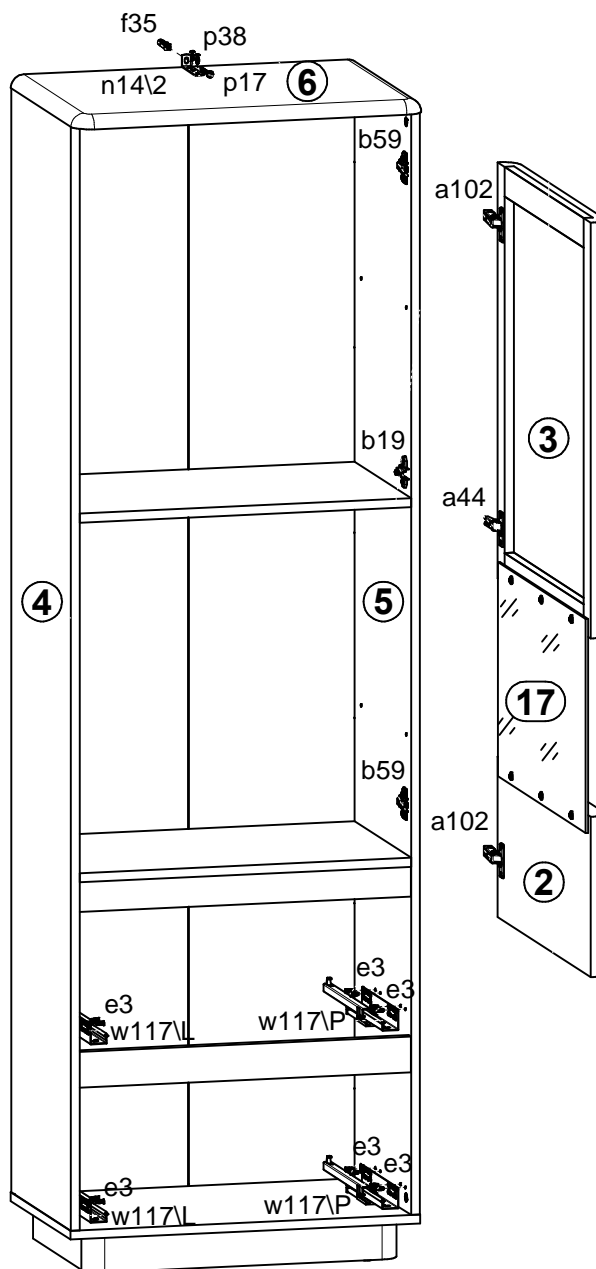
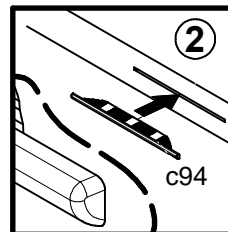
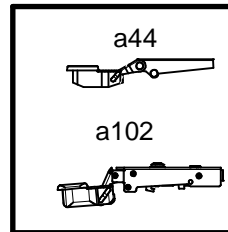
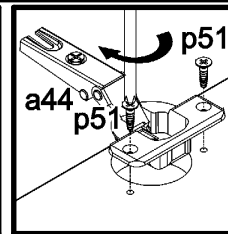
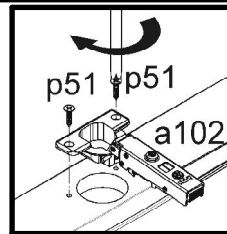
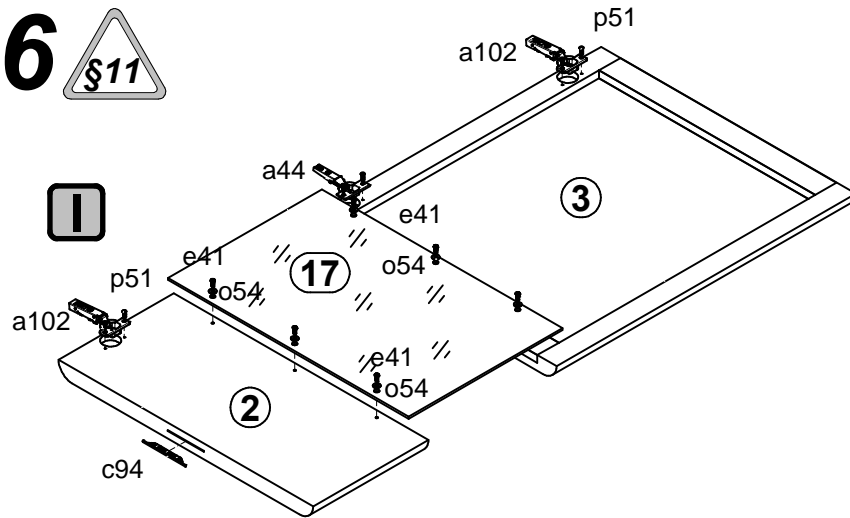


3





6



S4

