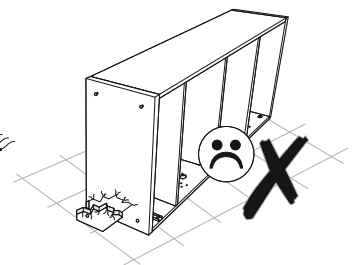
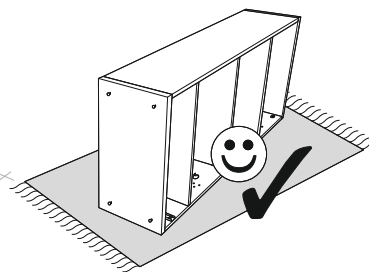
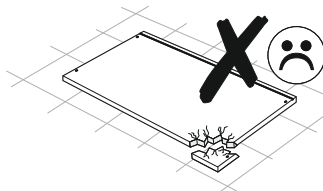
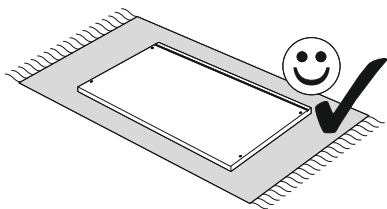
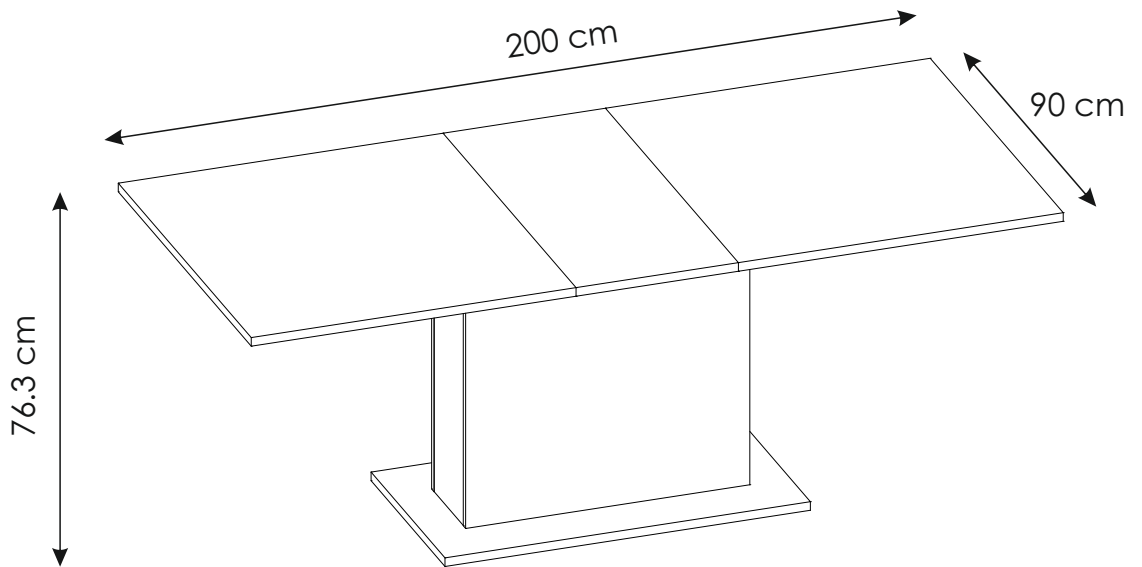
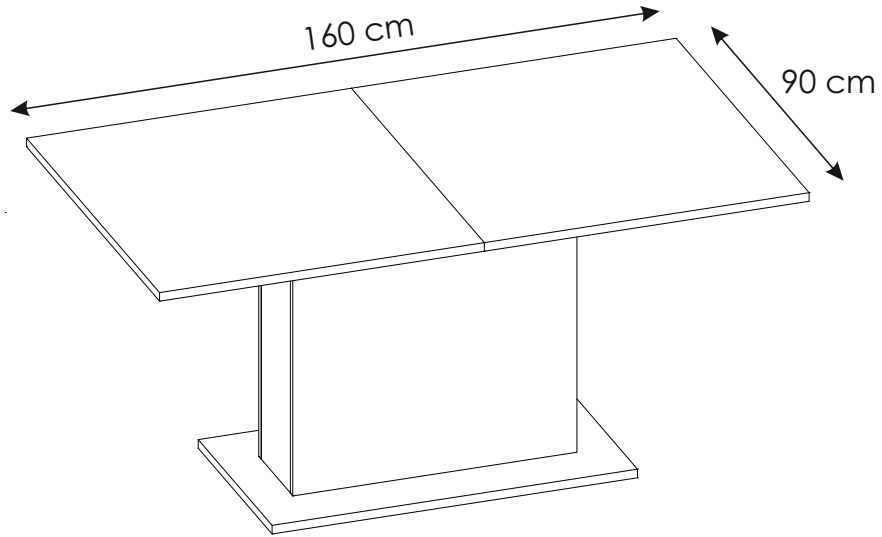
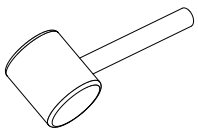
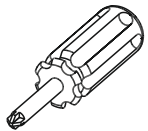
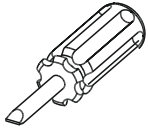
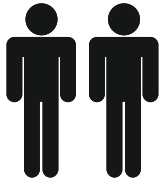
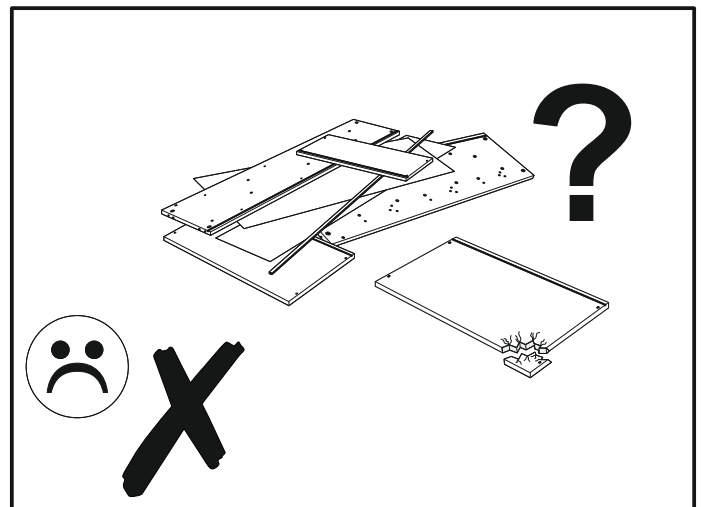
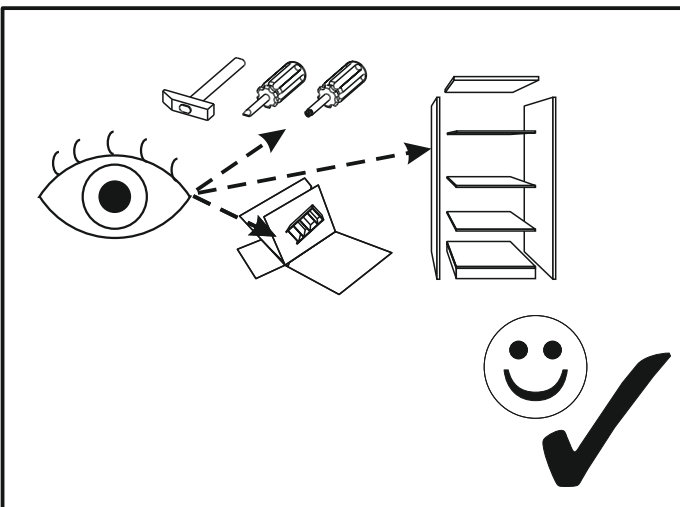
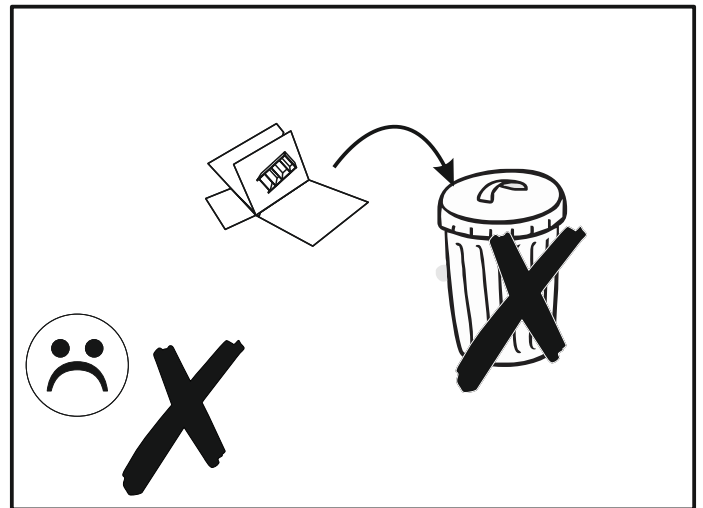
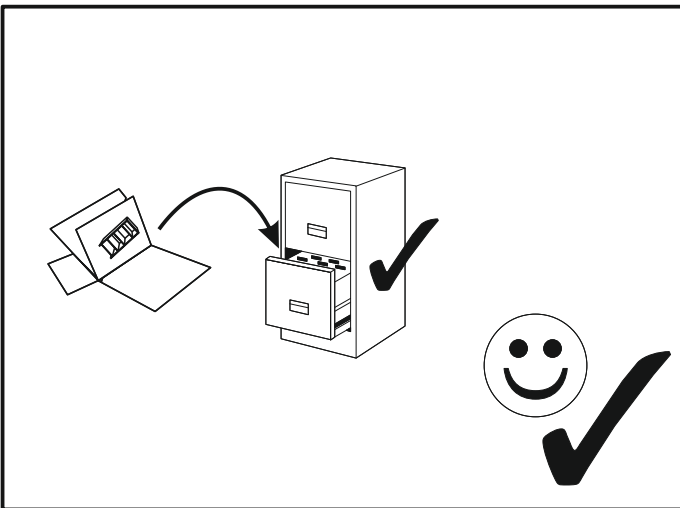
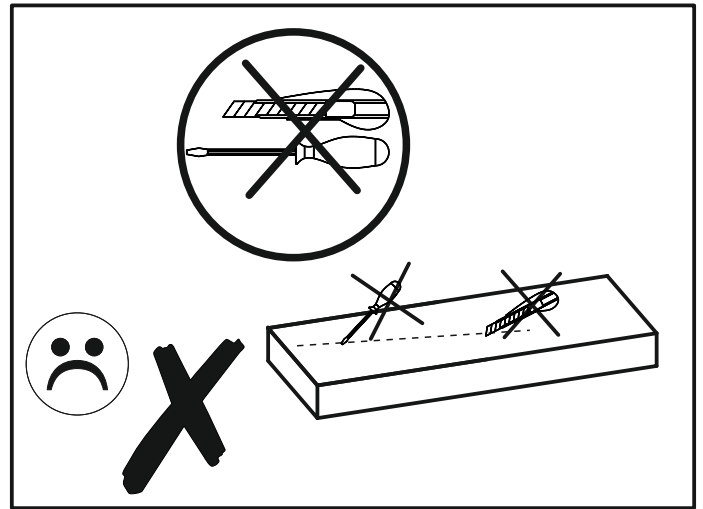
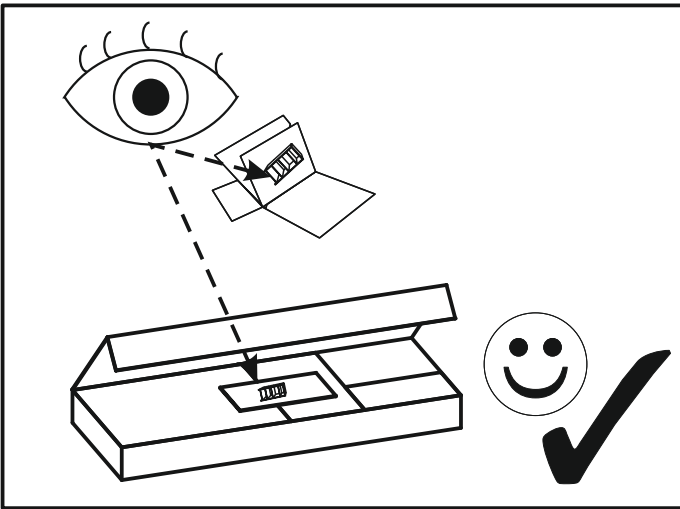


CODT02



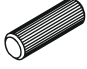

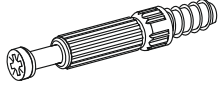
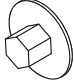
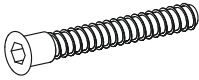
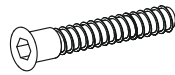


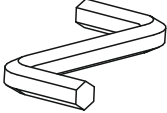
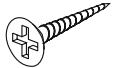


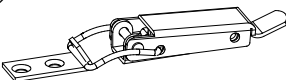

60 MIN

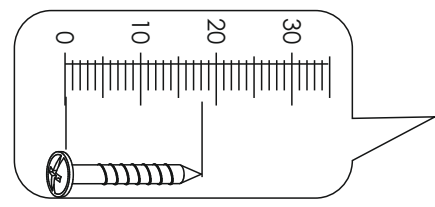
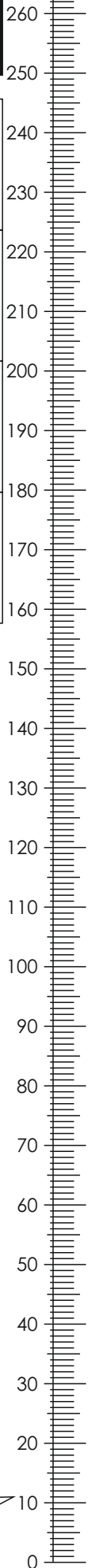




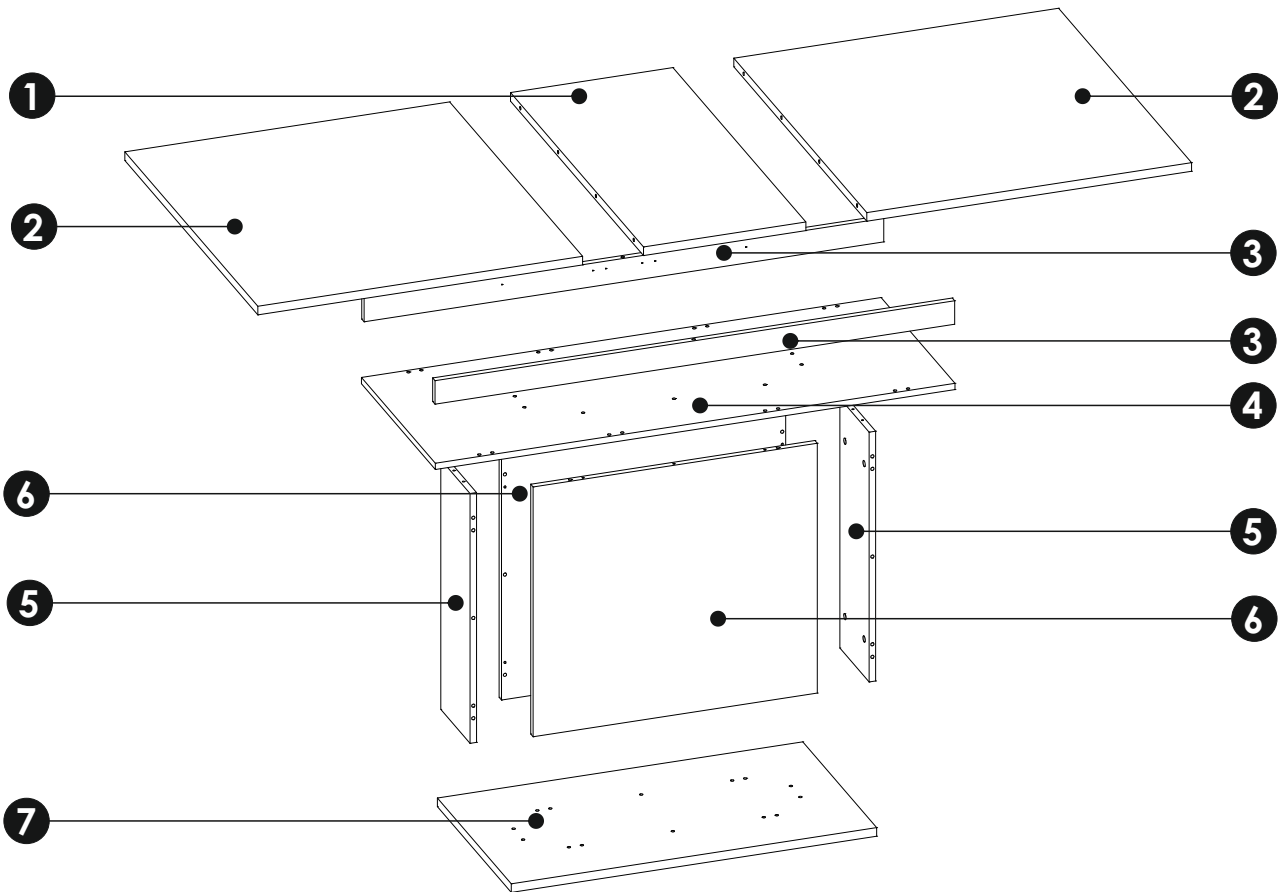
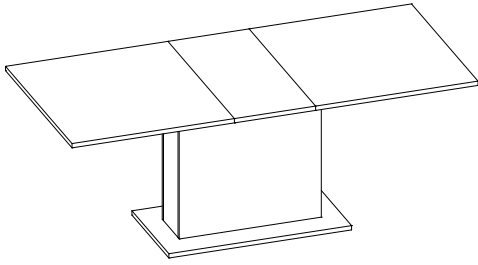
CODT02

MM

<p>A1 8 x 35 mm x28</p> 	<p>E1 15 x 12 mm x8</p> 	<p>F1 6 x 34 mm x8</p> 
<p>G0 x18</p> 	<p>G1 7 x 50 mm x8</p> 	<p>G2 7 x 60 mm x20</p> 
<p>I2 4 x 16 mm x16</p> 	<p>I3 4 x 20 mm x20</p> 	<p>M x1</p> 
<p>N1 3 X 16 mm x20</p> 	<p>O2A ø20 x14</p> 	<p>R8 x10</p> 
<p>S21 x4</p> 	<p>T11 x2</p> 	



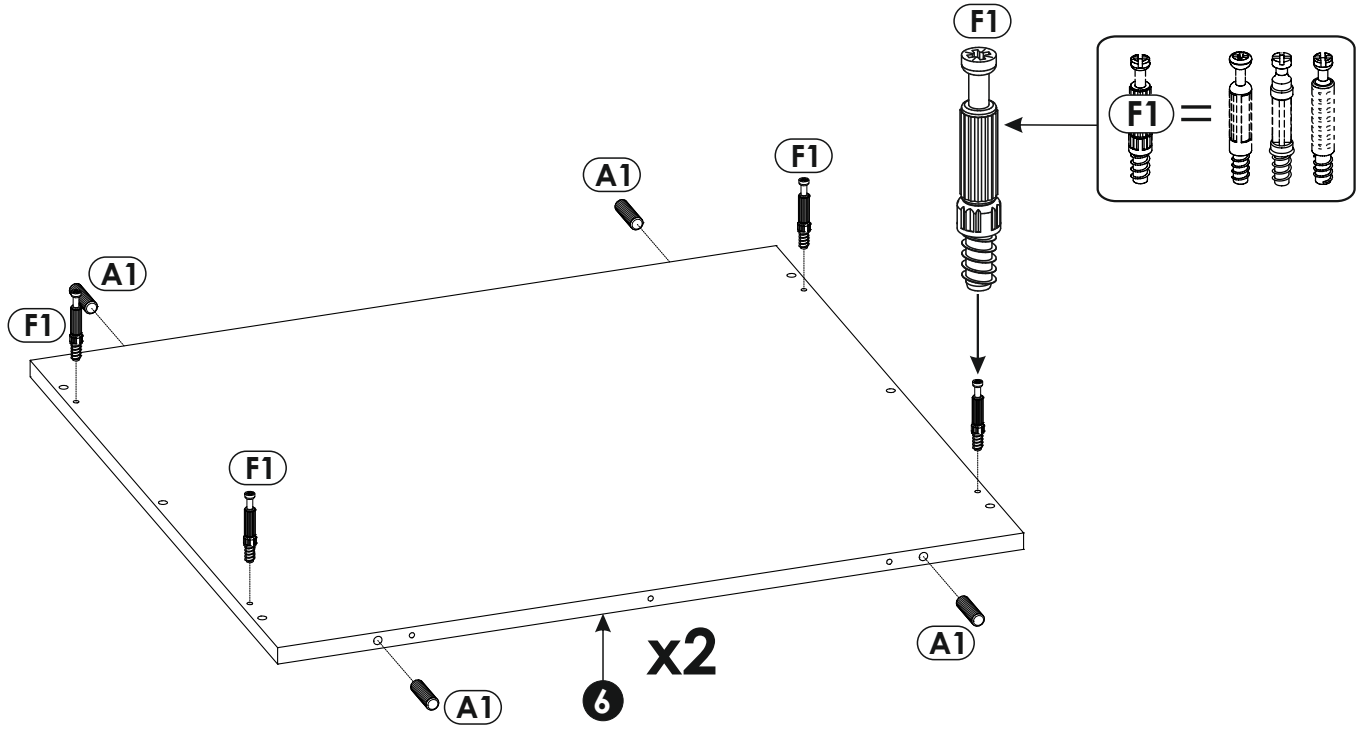
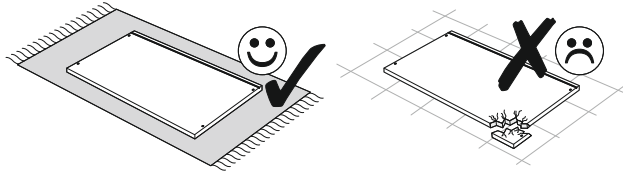
CODT02



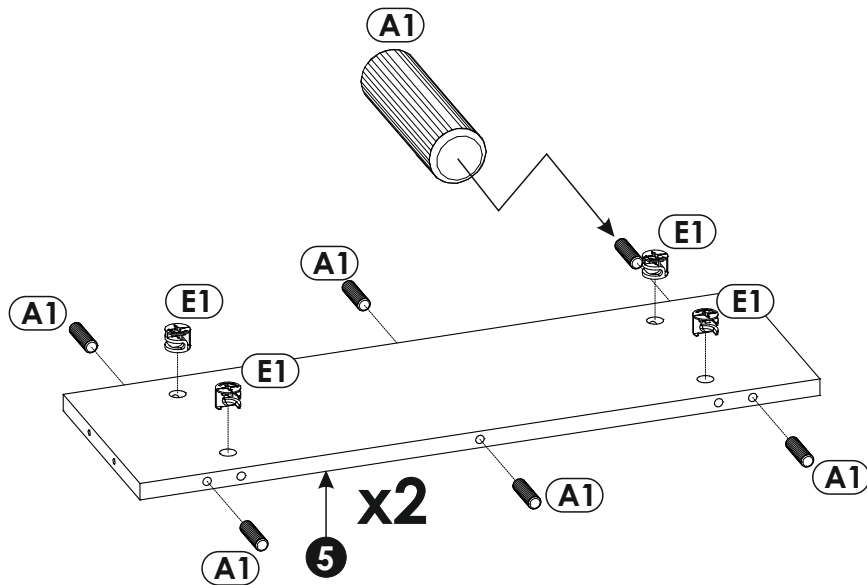
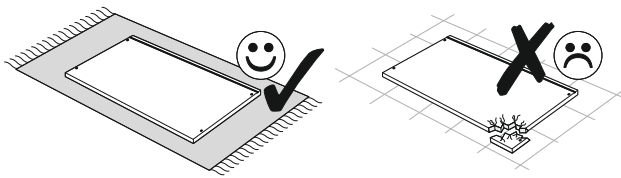
1	900	400	22	x1	2/2
2	900	800	22	x2	1/2
3	1280	60	16	x2	2/2
4	1280	500	16	x1	2/2

5	638	198	16	x2	2/2
6	638	700	16	x2	1/2
7	900	500	22	x1	2/2

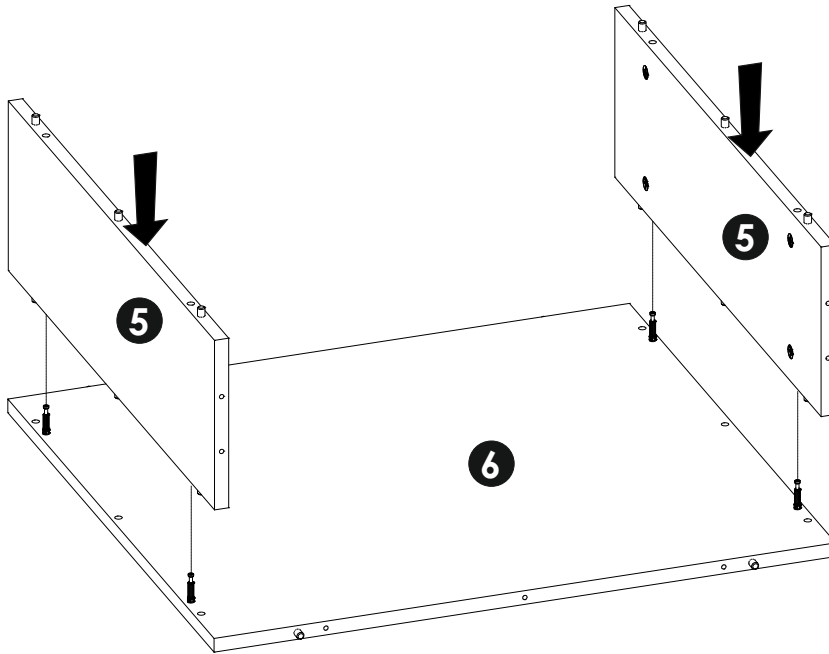
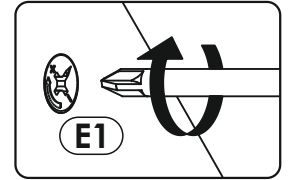
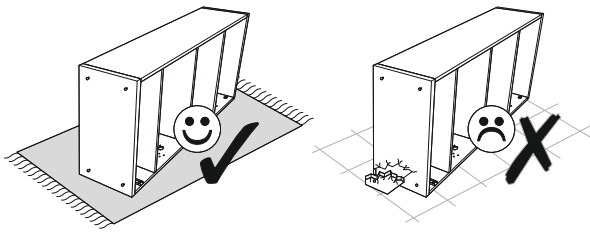
1 ▶



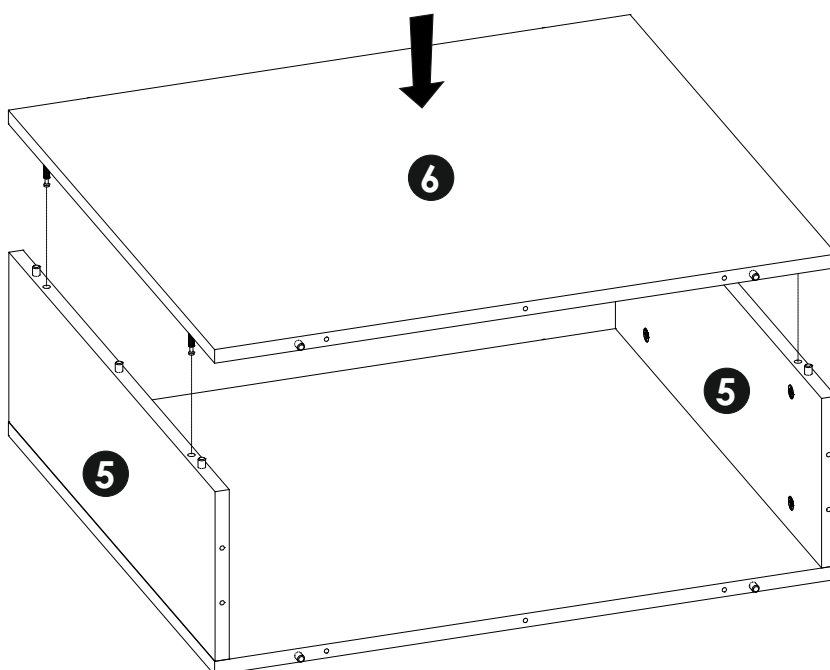
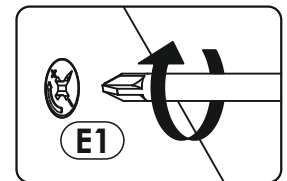
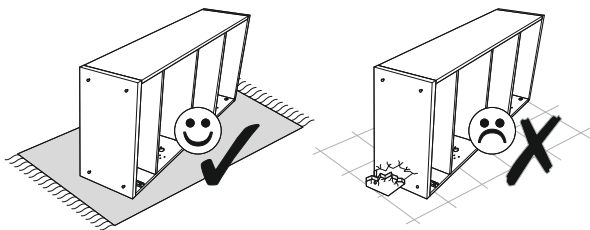
2 ▶



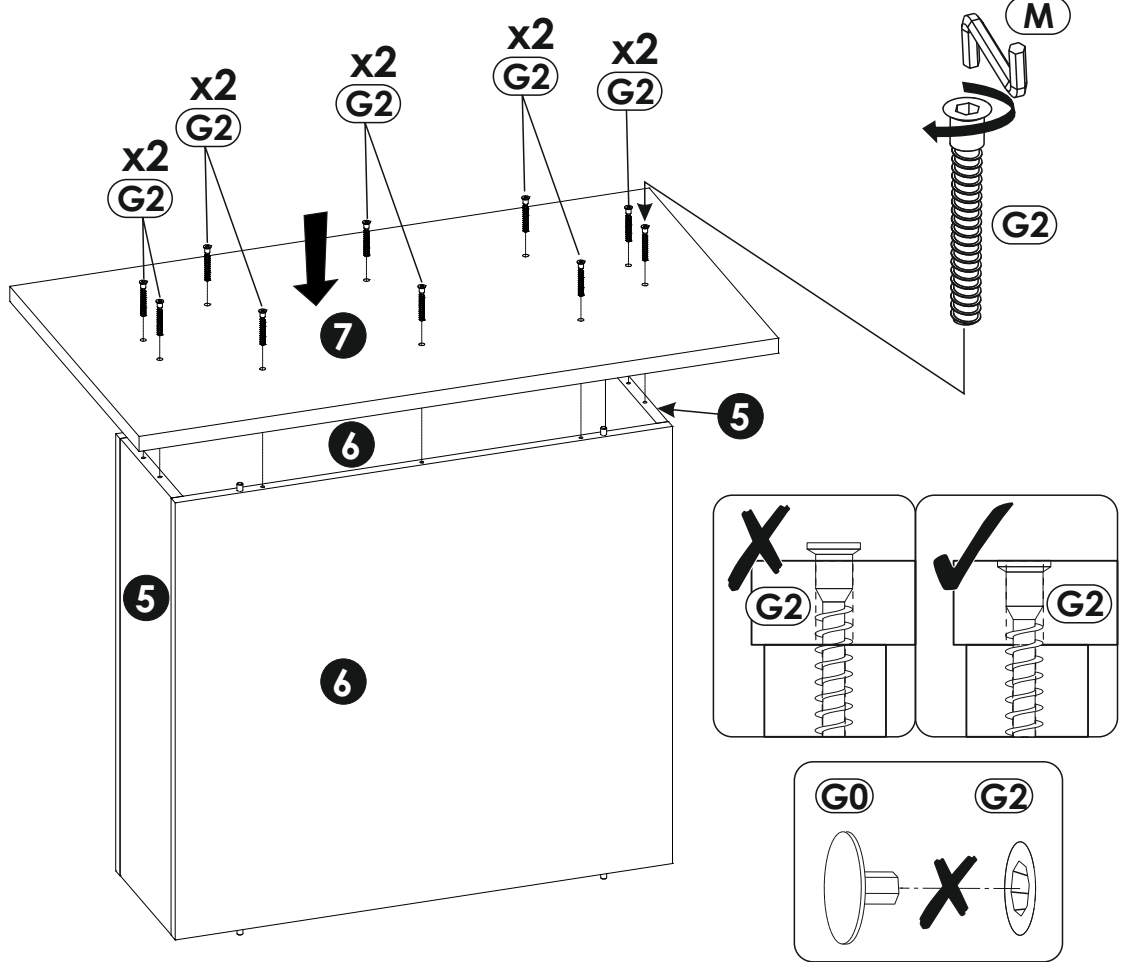
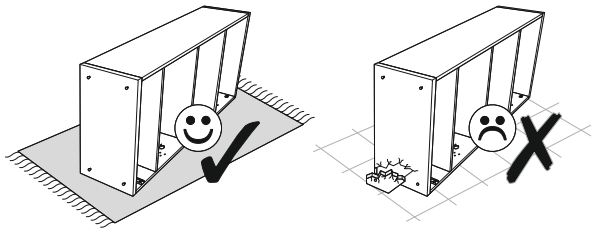
3 ▶



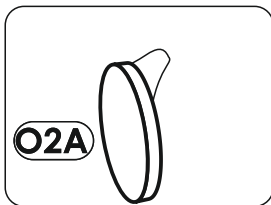
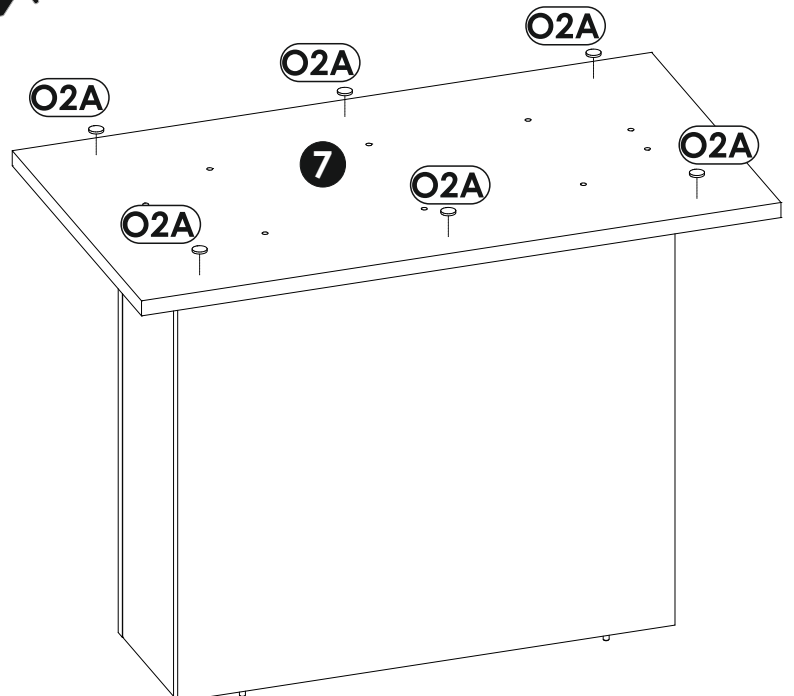
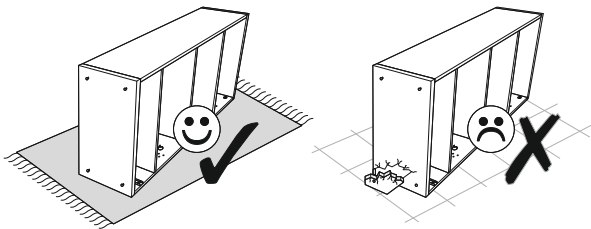
4 ▶

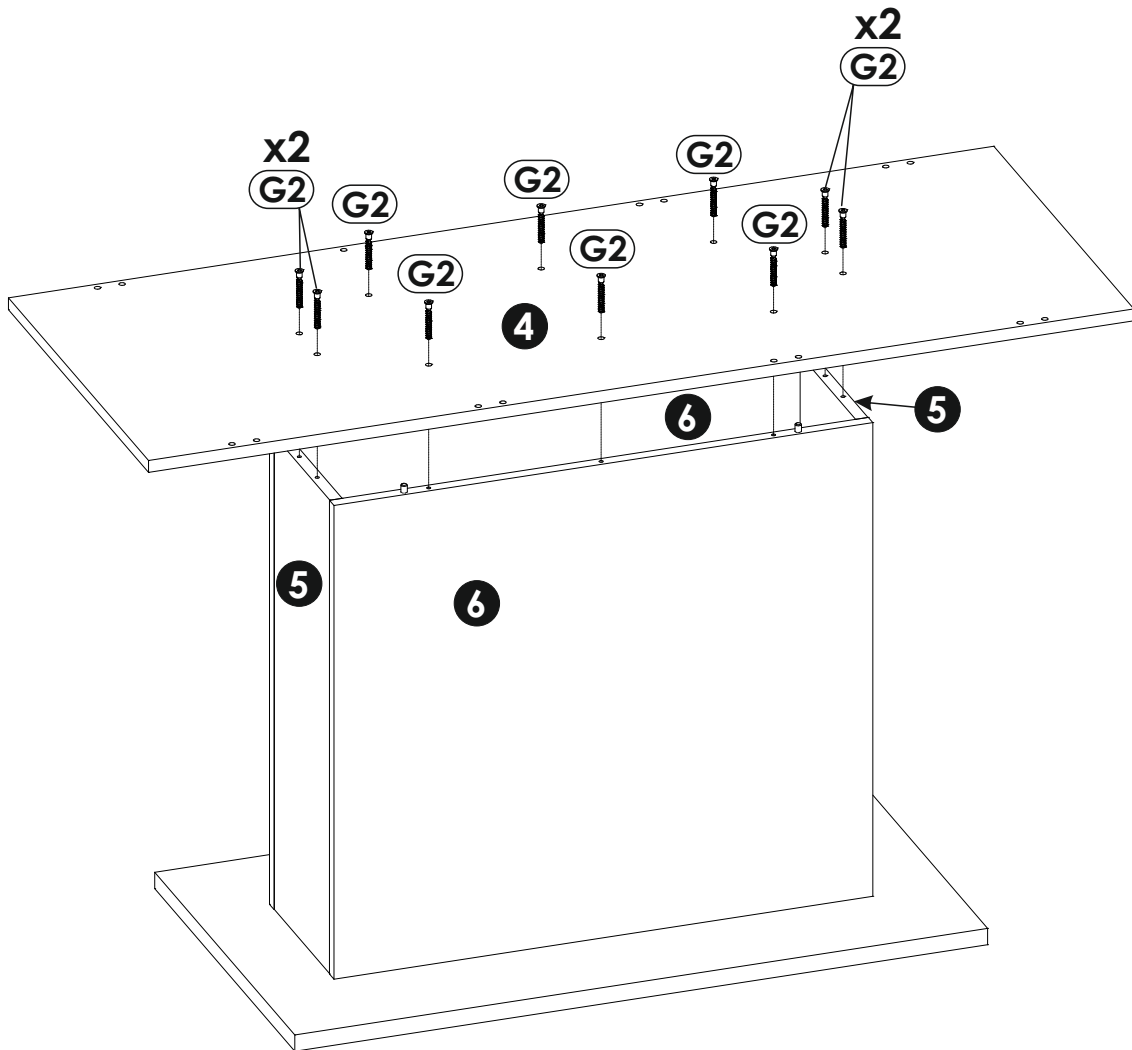
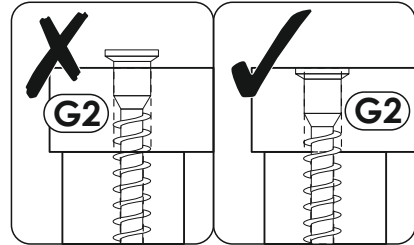
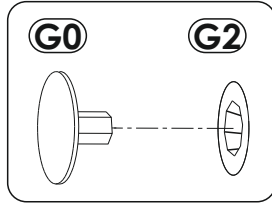


5 ▶

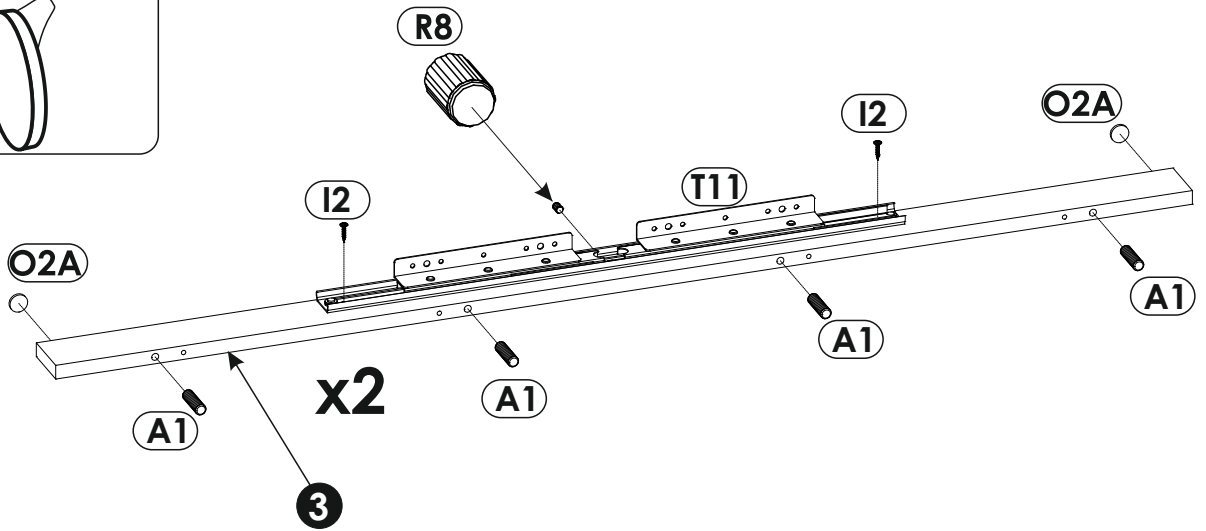
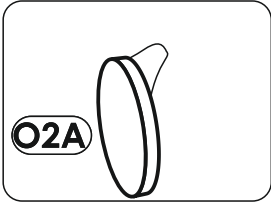
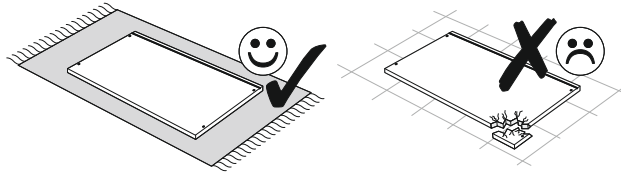


6 ▶

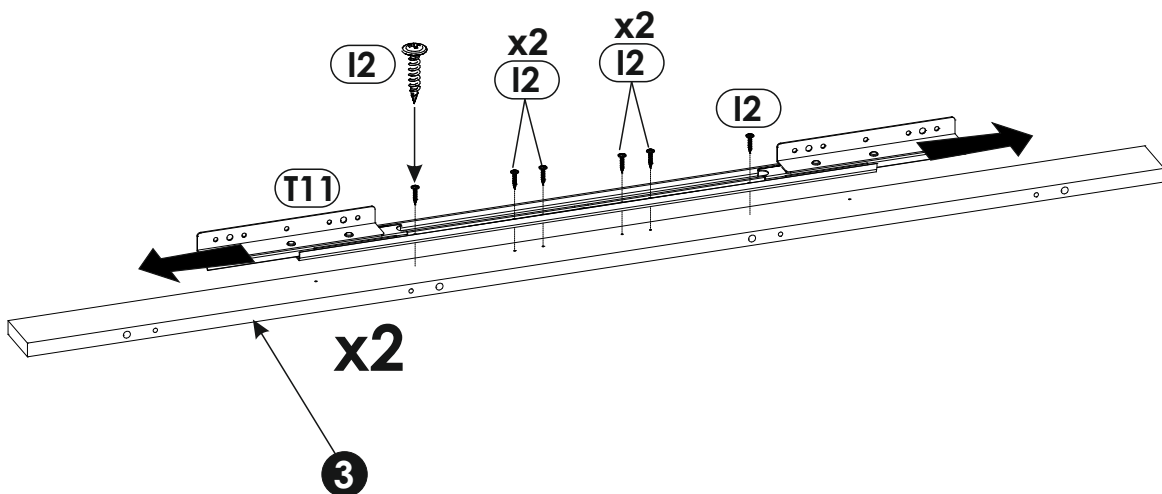
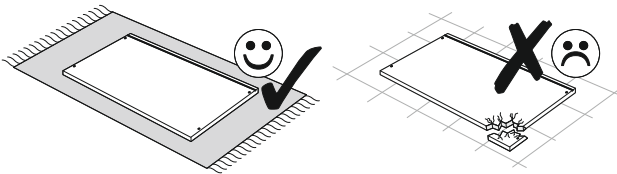




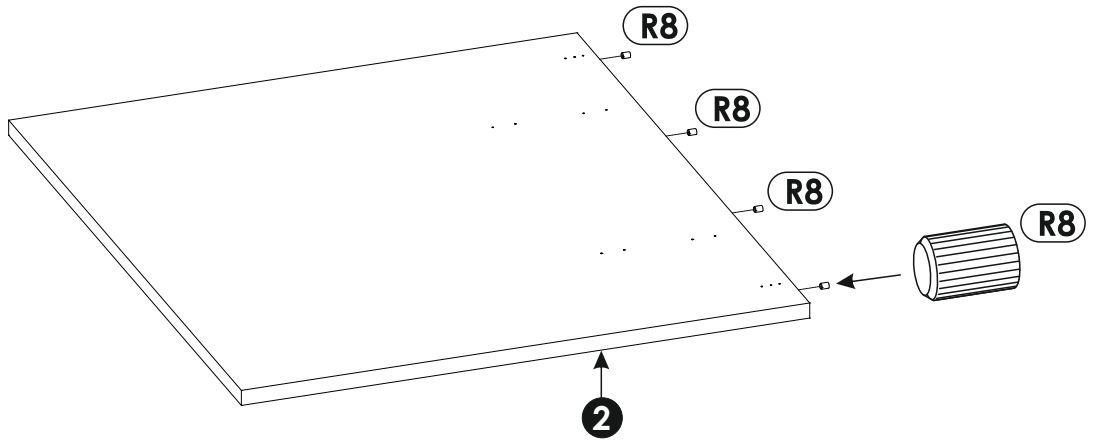
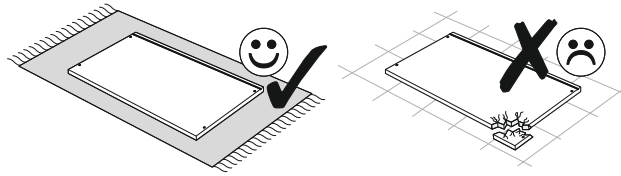
8 ▶



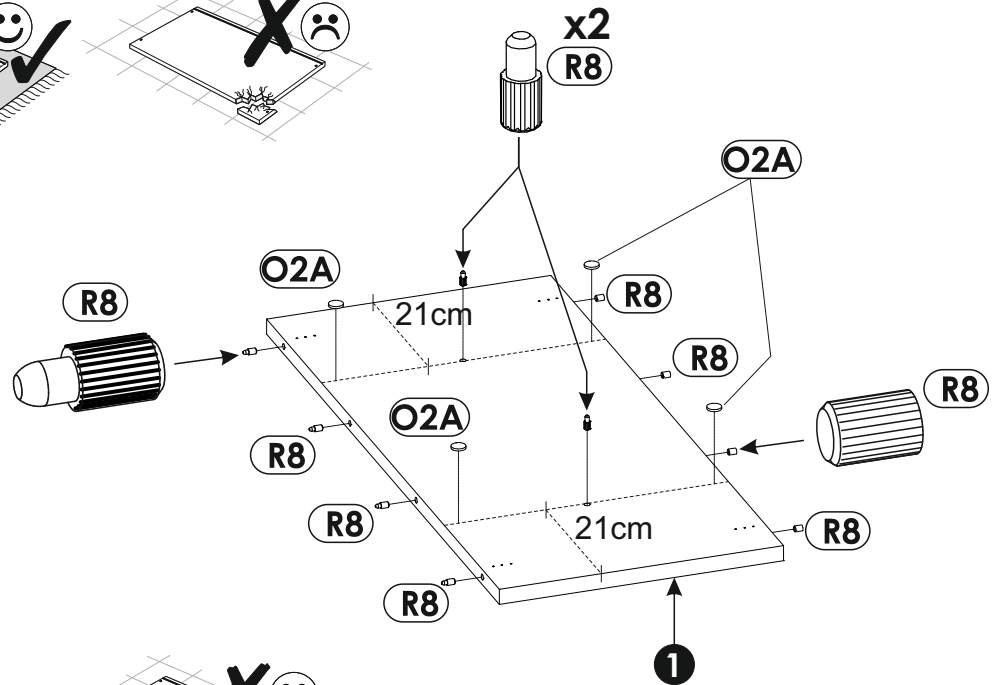
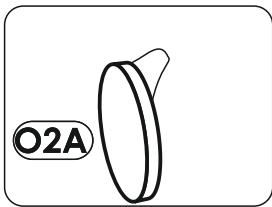
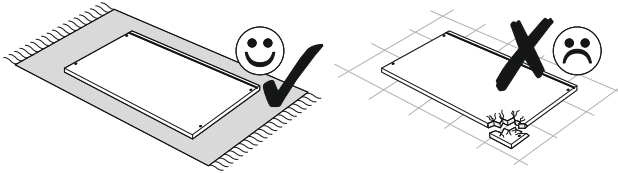
9 ▶



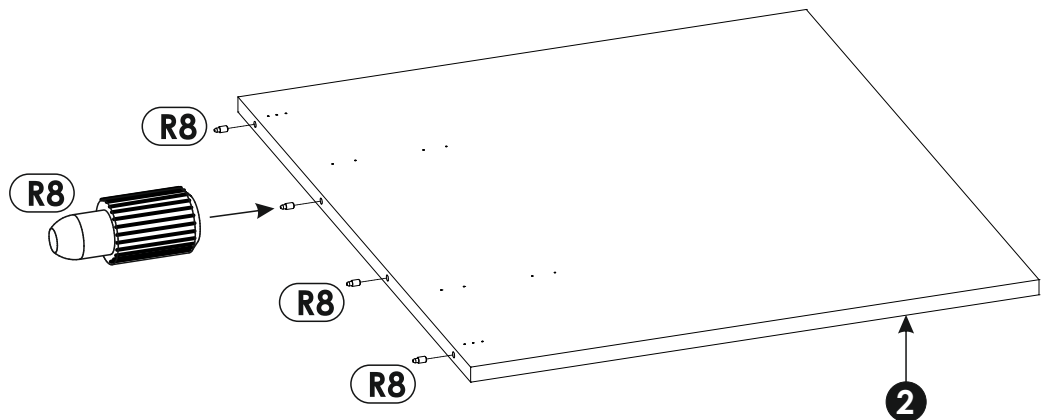
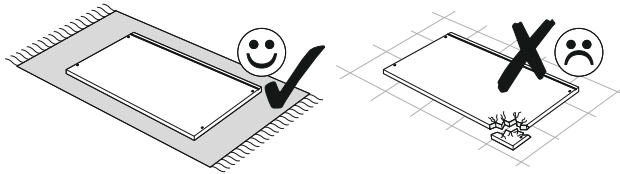
10 ▶



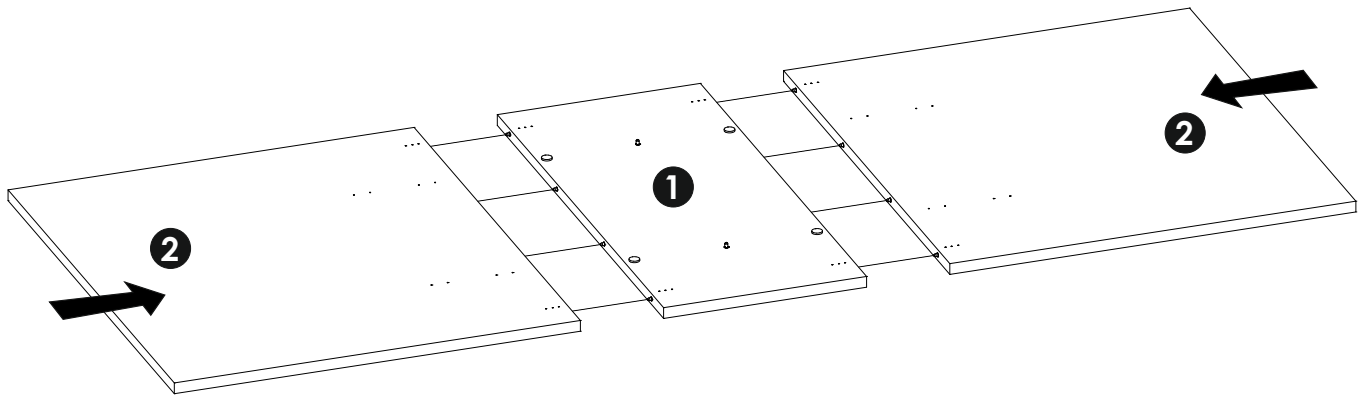
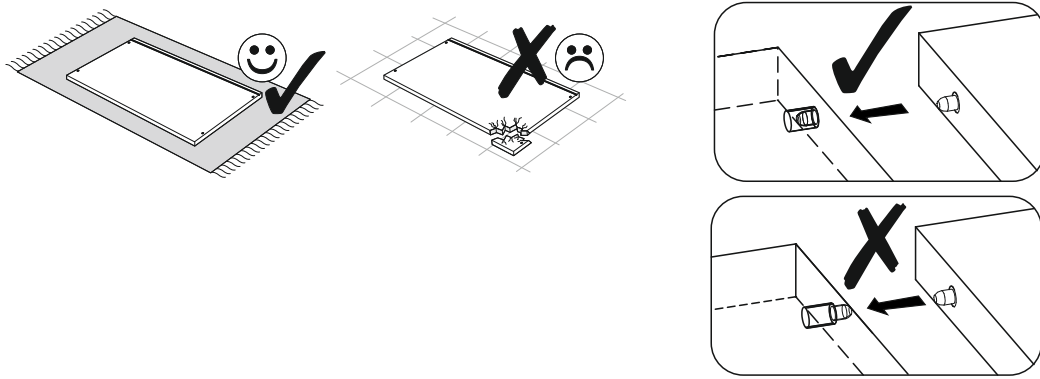
11 ▶



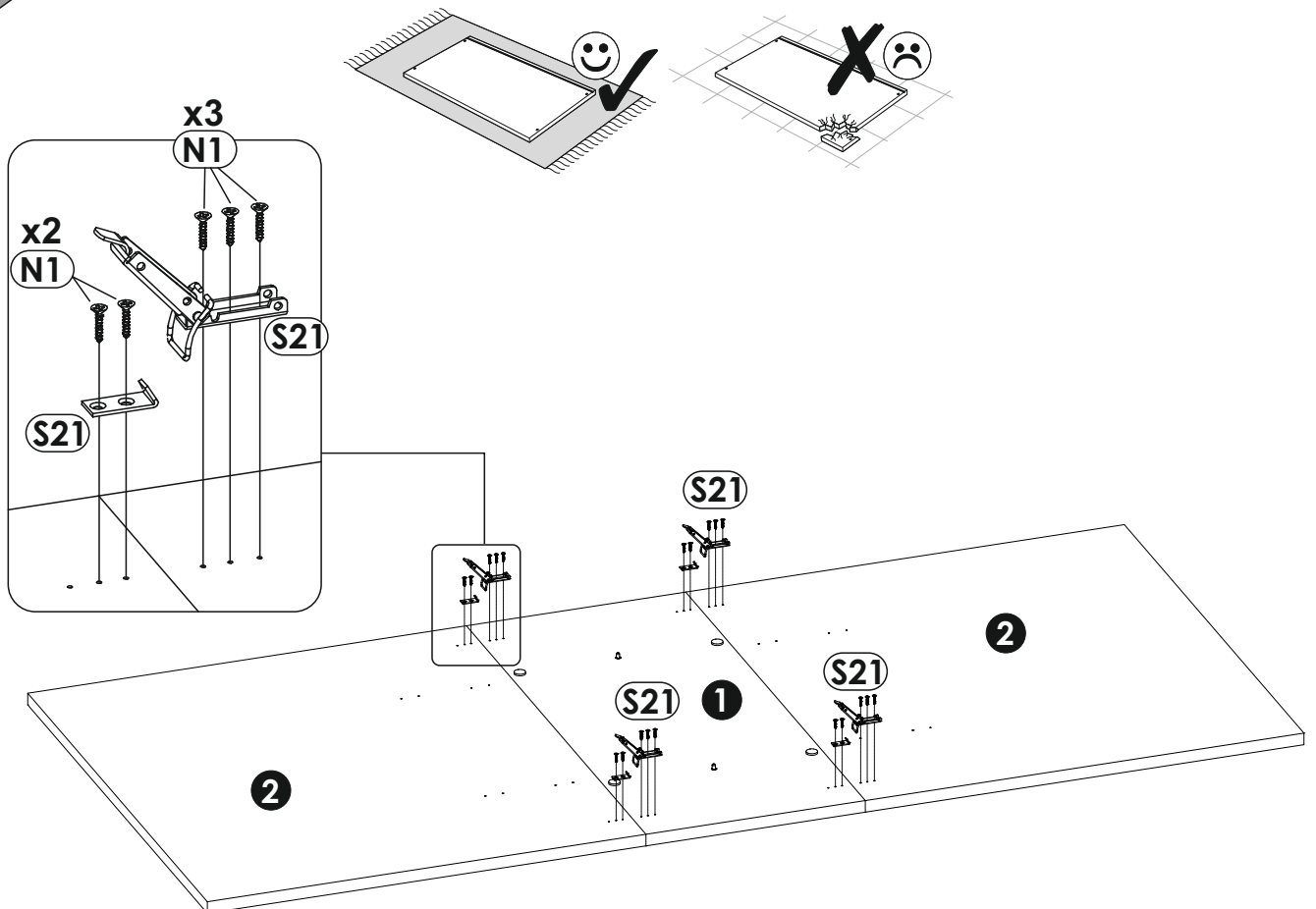
12 ▶



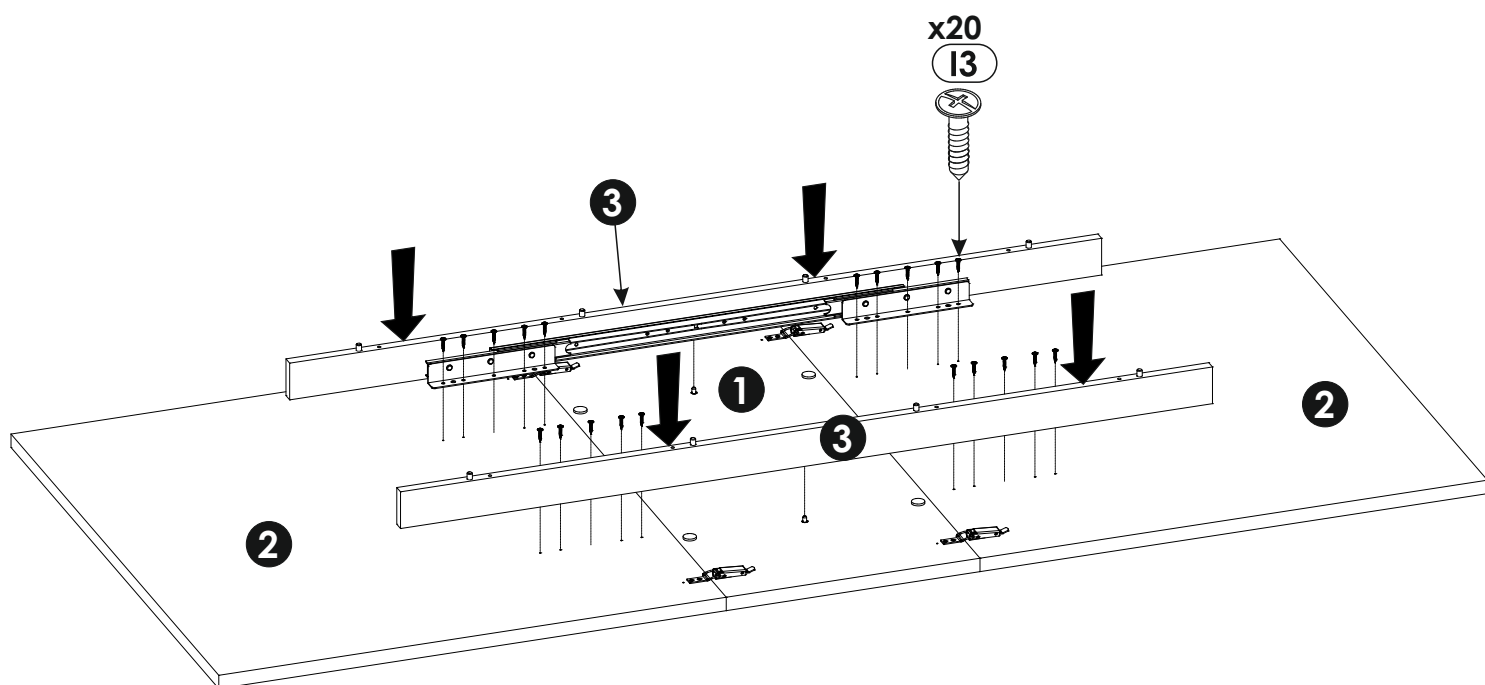
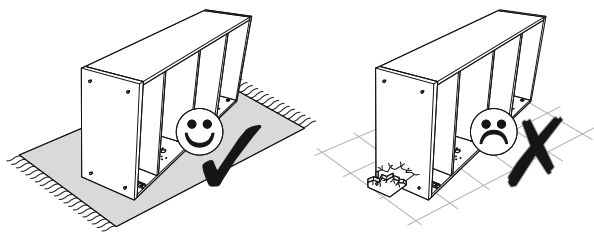
13▶



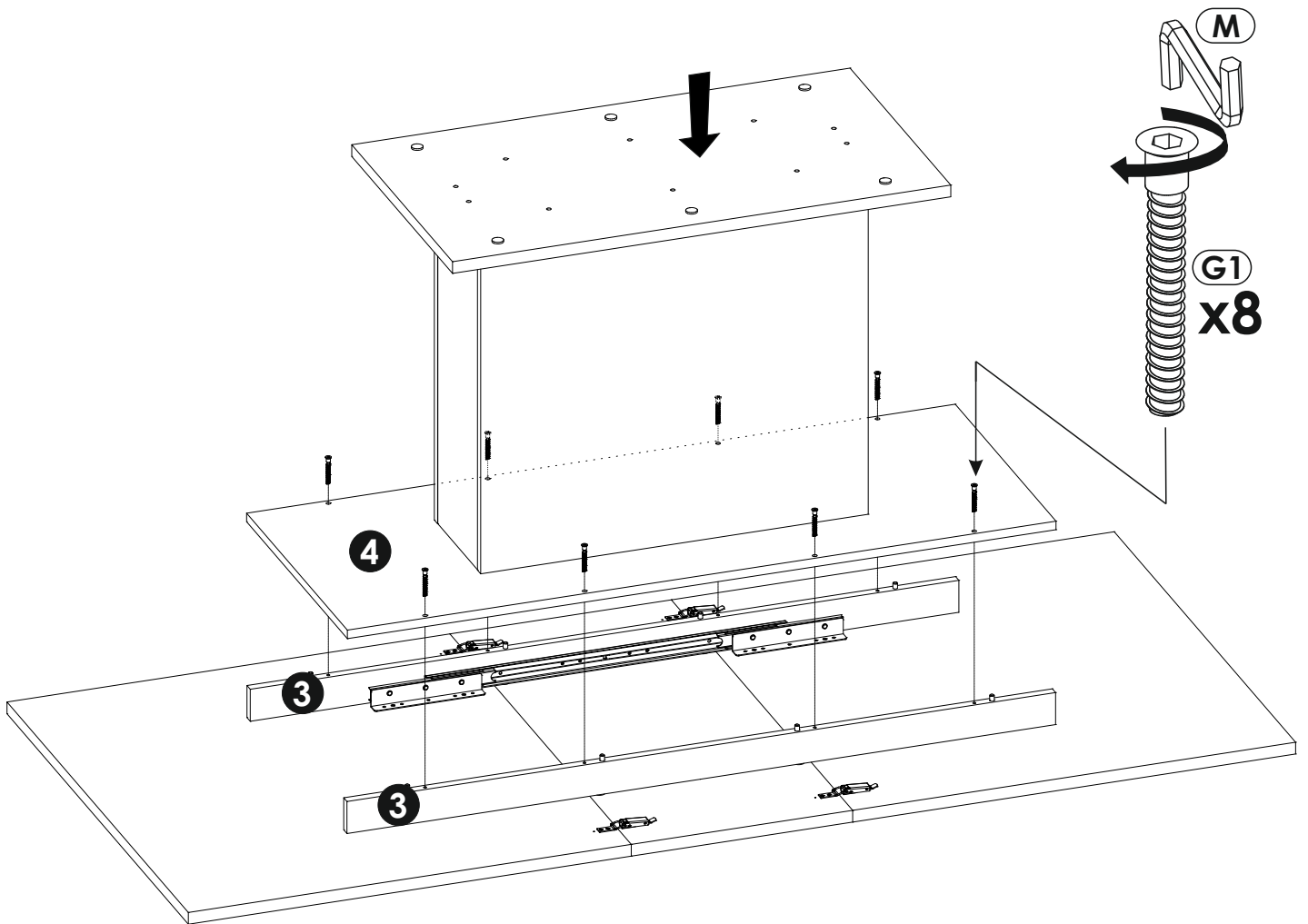
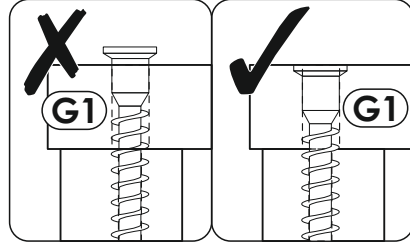
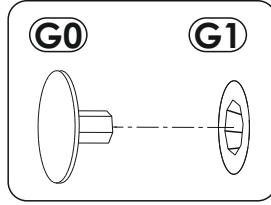
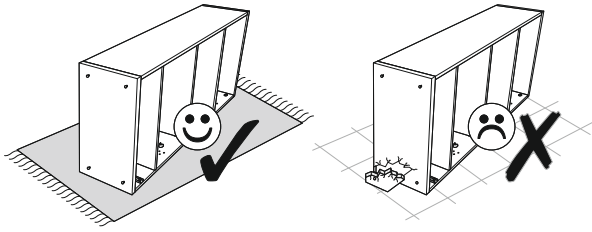
14▶



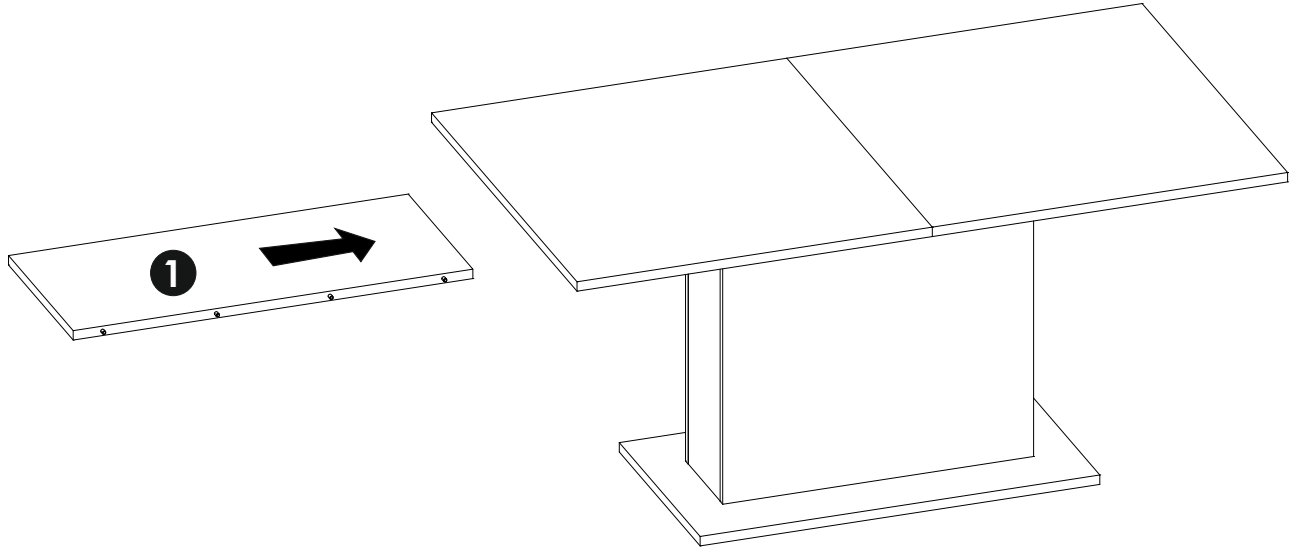
15▶



16 ▶



17▶



18▶

