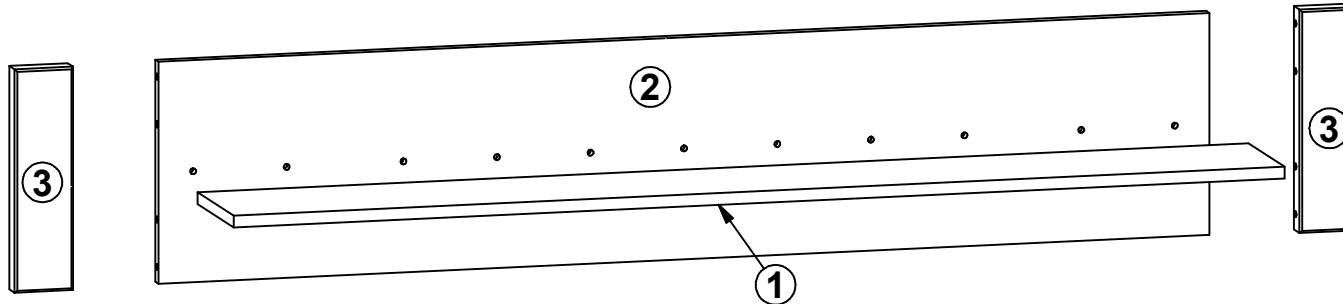
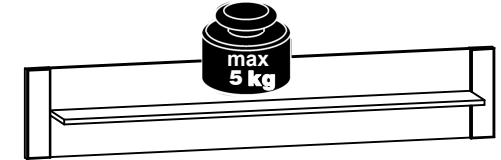
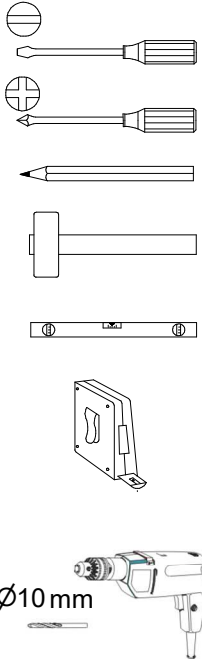
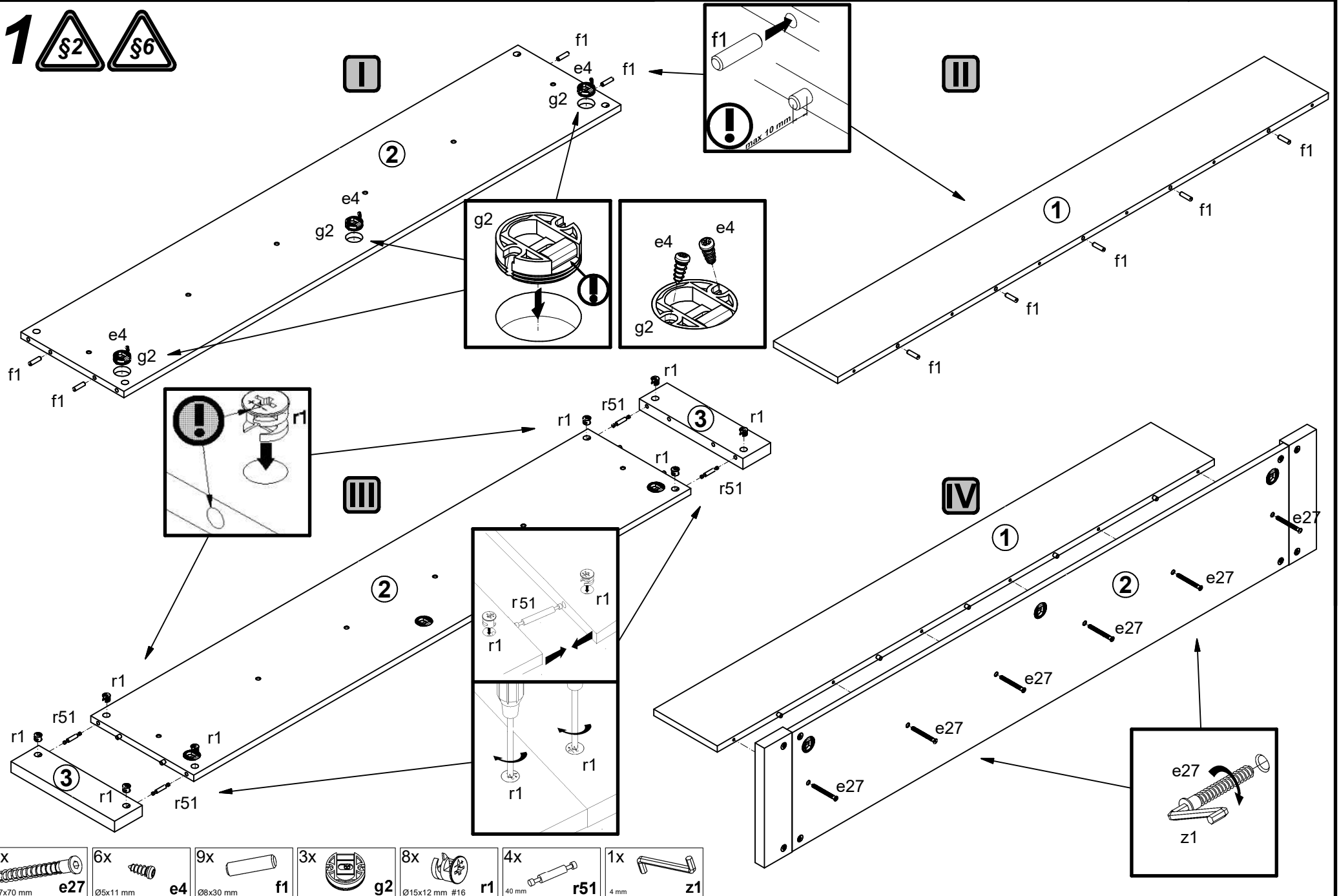


30min



A	B	C (mm)		D
1	S378-3015	1439	184	1/1
2	S378-4005	1439	298	1/1
3	S378-5018	300	80	1/1





- 6x e27 $\varnothing 7 \times 70$ mm
- 6x e4 $\varnothing 5 \times 11$ mm
- 9x f1 $\varnothing 8 \times 30$ mm
- 3x g2 $\varnothing 15 \times 12$ mm #16
- 8x r1 $\varnothing 8 \times 30$ mm
- 4x r51 40 mm
- 1x z1 4 mm

2

