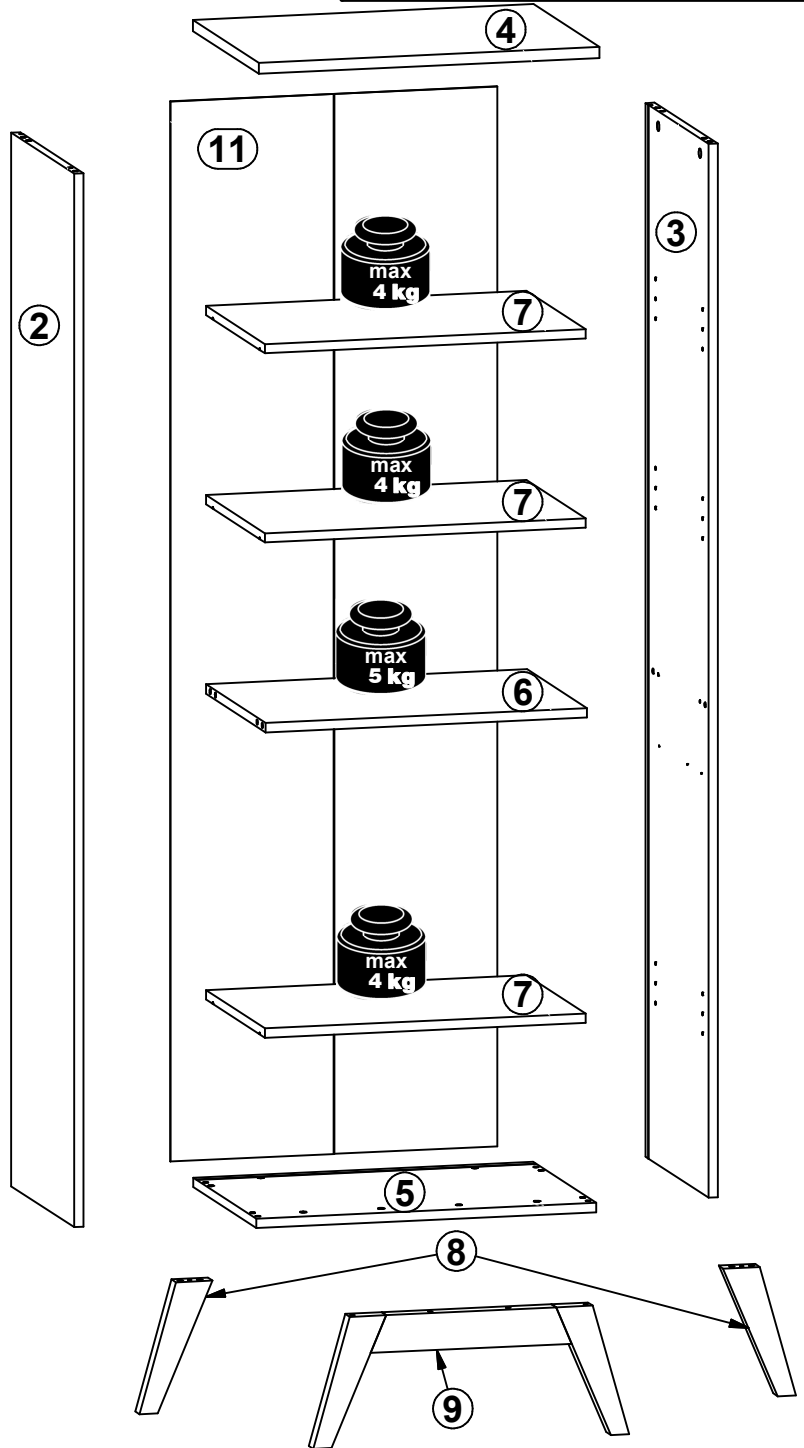
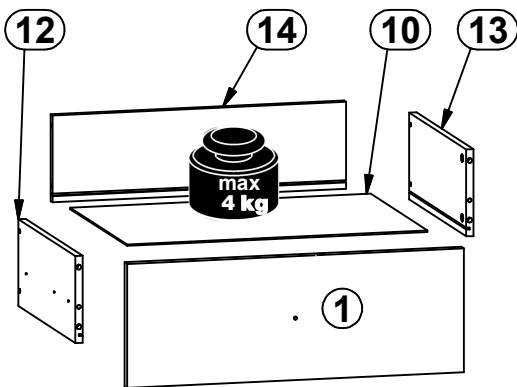
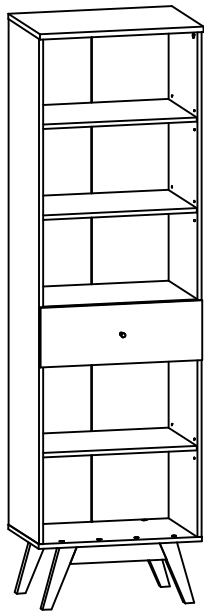
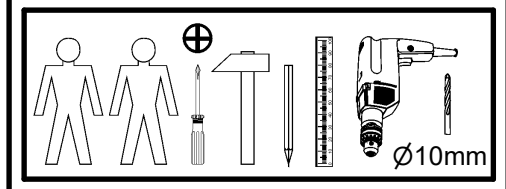


A

HEDA

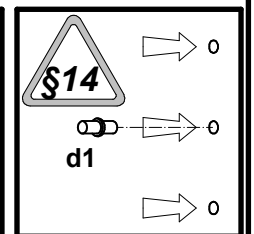
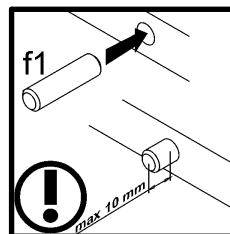
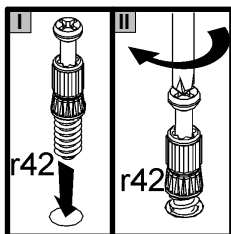
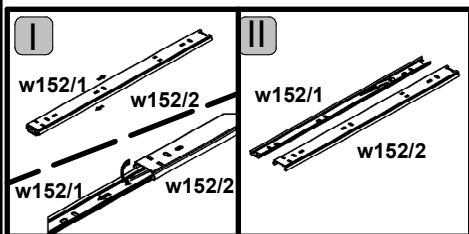
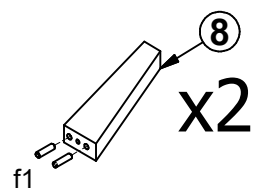
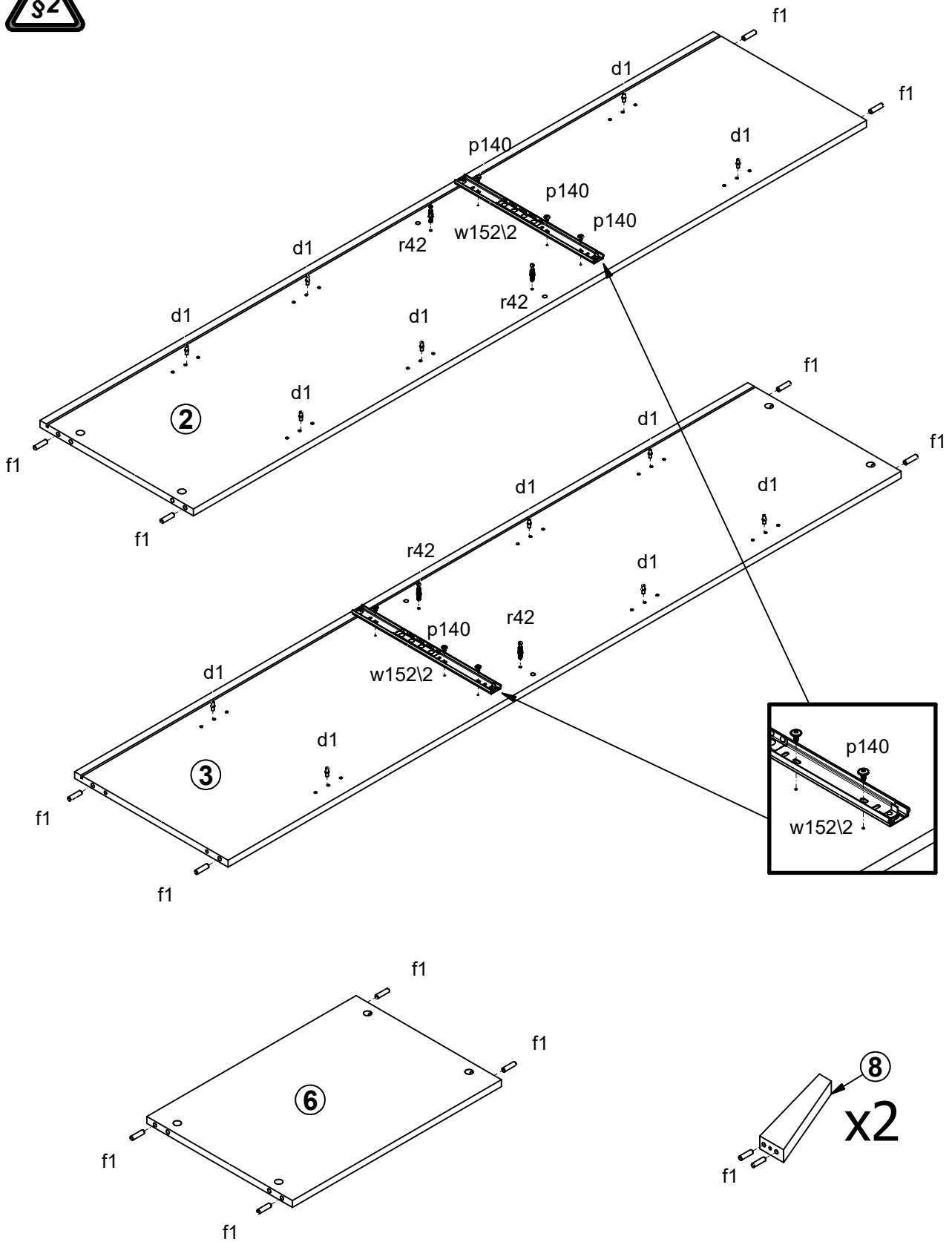
S385-REG1S

A	B	C	D	
1	S385-0007	554	200	2/2
2	S385-1012	1698	387	1/2
3	S385-1013	1698	387	1/2
4	S385-2009	560	405	2/2
5	S385-2010	559	387	2/2
6	S385-3004	528	367	2/2
7	S385-3010	527	362	2/2
8	S385-5003	210	60	2/2
9	S385-5005	519	210	2/2
10	S385-9008	494	348	2/2
11	S385-9304	1708	537	1/2
12	ZK1-521	350	140	2/2
13	ZK1-522	350	140	2/2
14	ZS4-5515	483	140	2/2

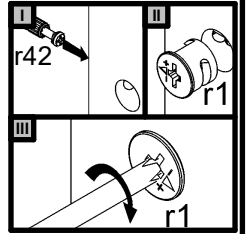
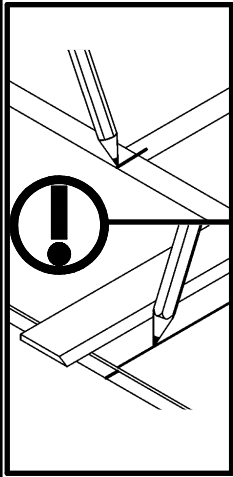
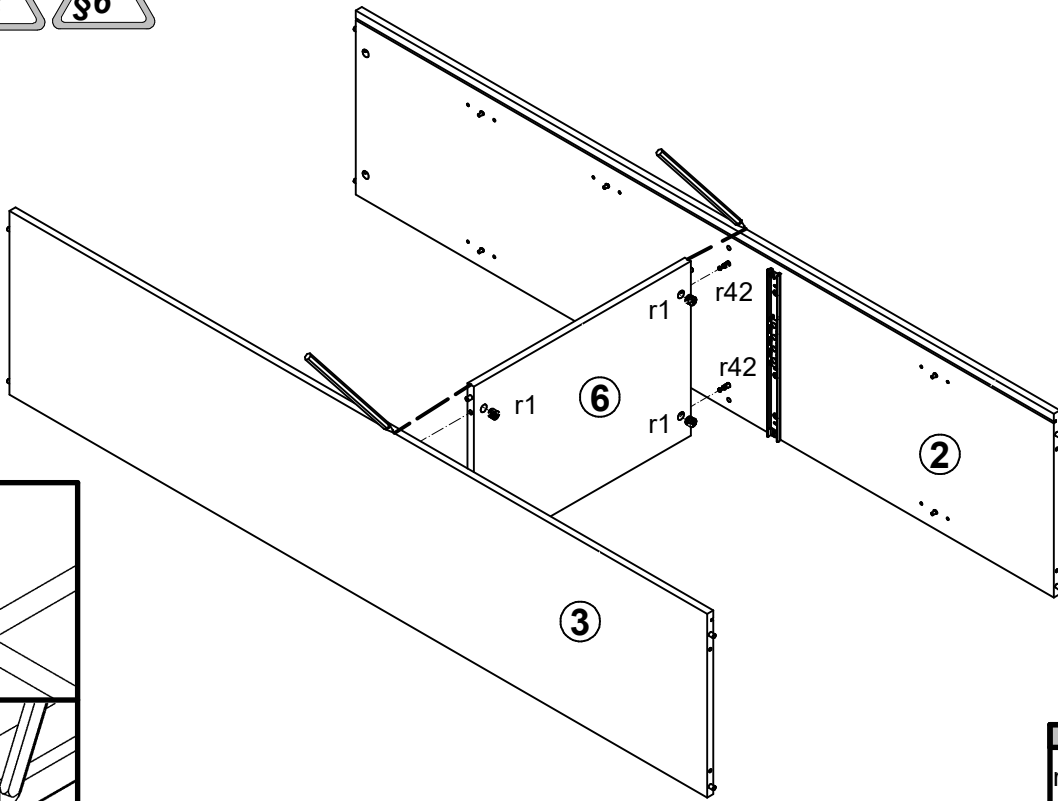


1x c472	12x Ø5x17 mm d1	10x Ø7x50 mm e1	16x Ø8x30 mm f1	4x Ø6.5x40 mm f25	2x Ø6x30 mm f9	5x l1	14x i2	1x Ø3.5x30 mm p78
12x Ø3.5x12 mm p140	8x Ø15x12 mm #16 r1	4x Ø12x10.5 mm #12 r15	12x 20/11 r42	2x 350/580 mm w152\1	2x 350/580 mm w152\2	6x s1	4x Ø16 s2	1x 4 mm z1
							1x n26\1	1x Ø3.5x16 mm p38

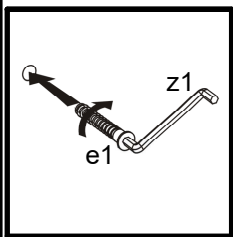
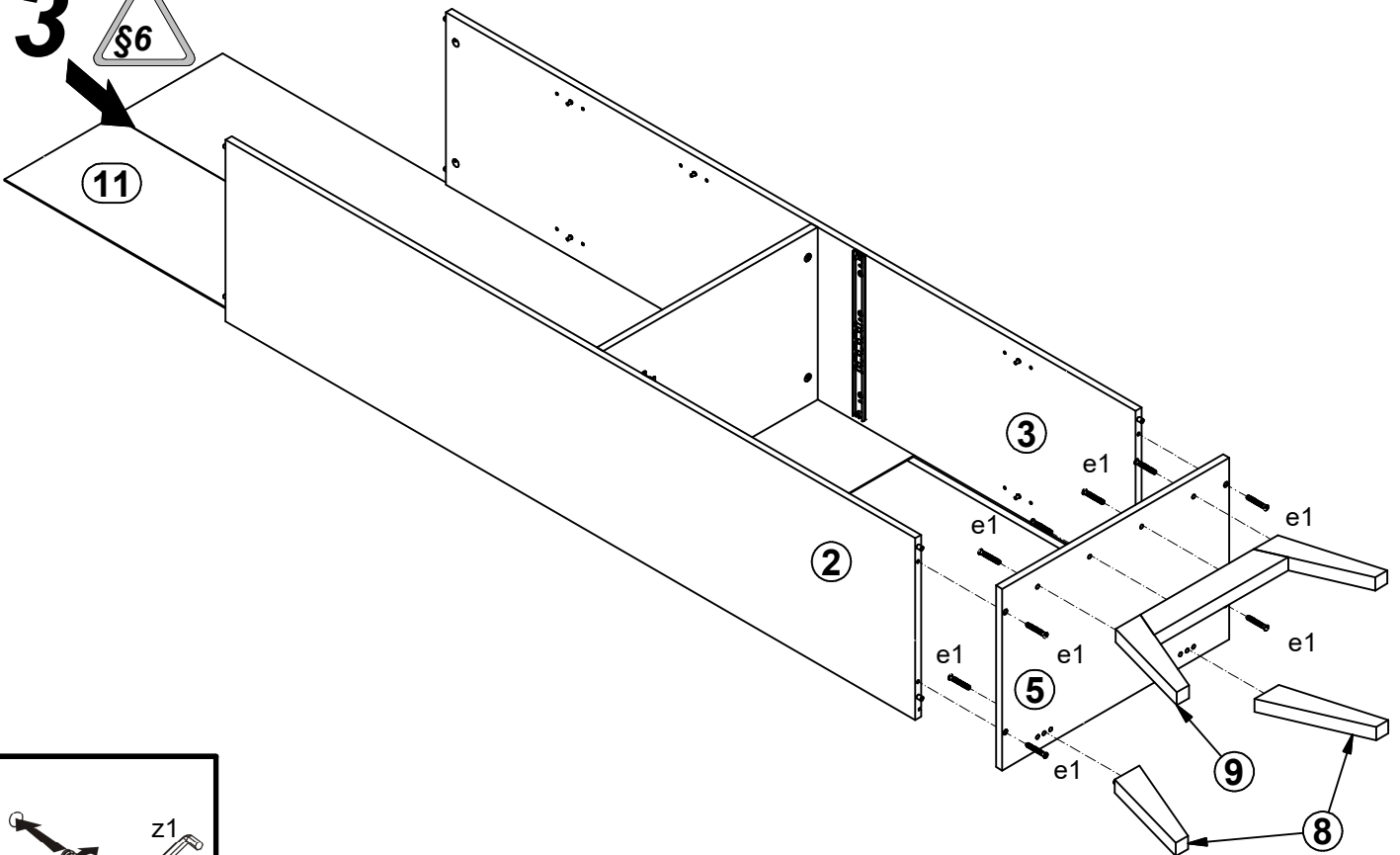
1 



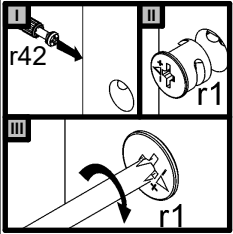
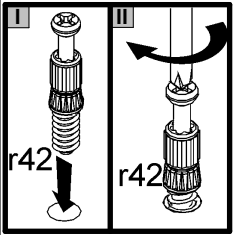
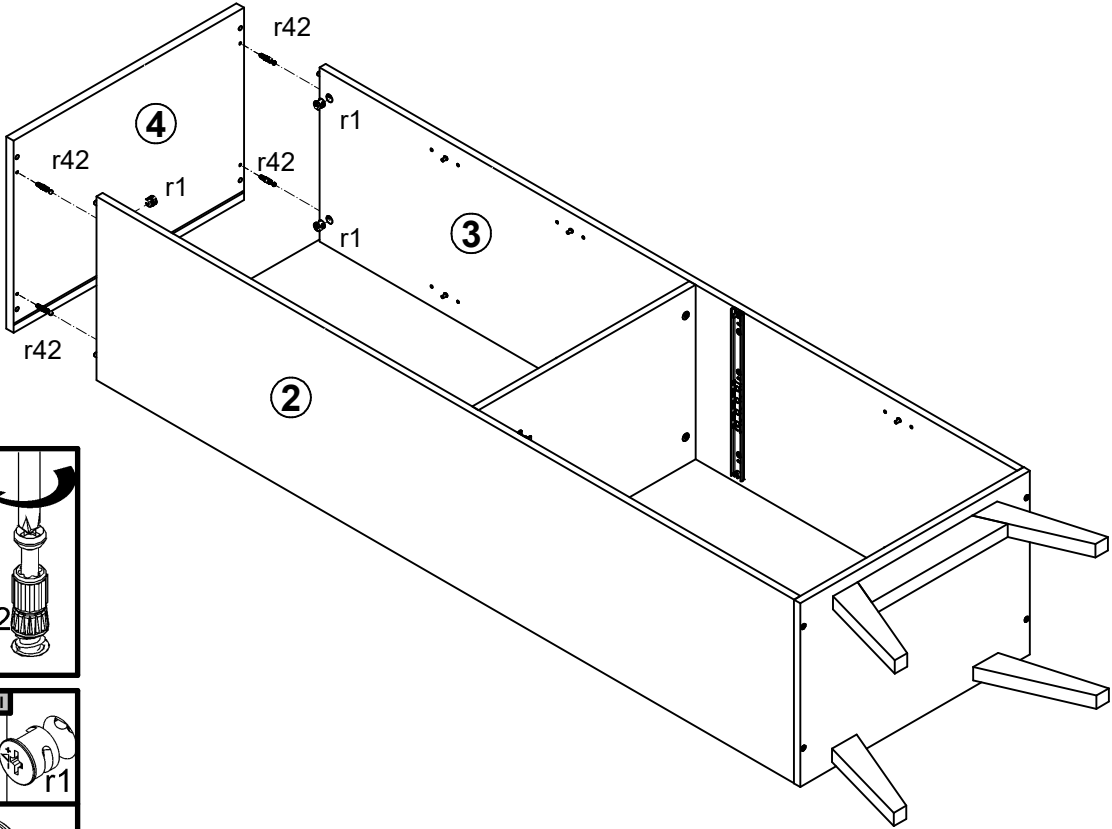
2



3



4



5

