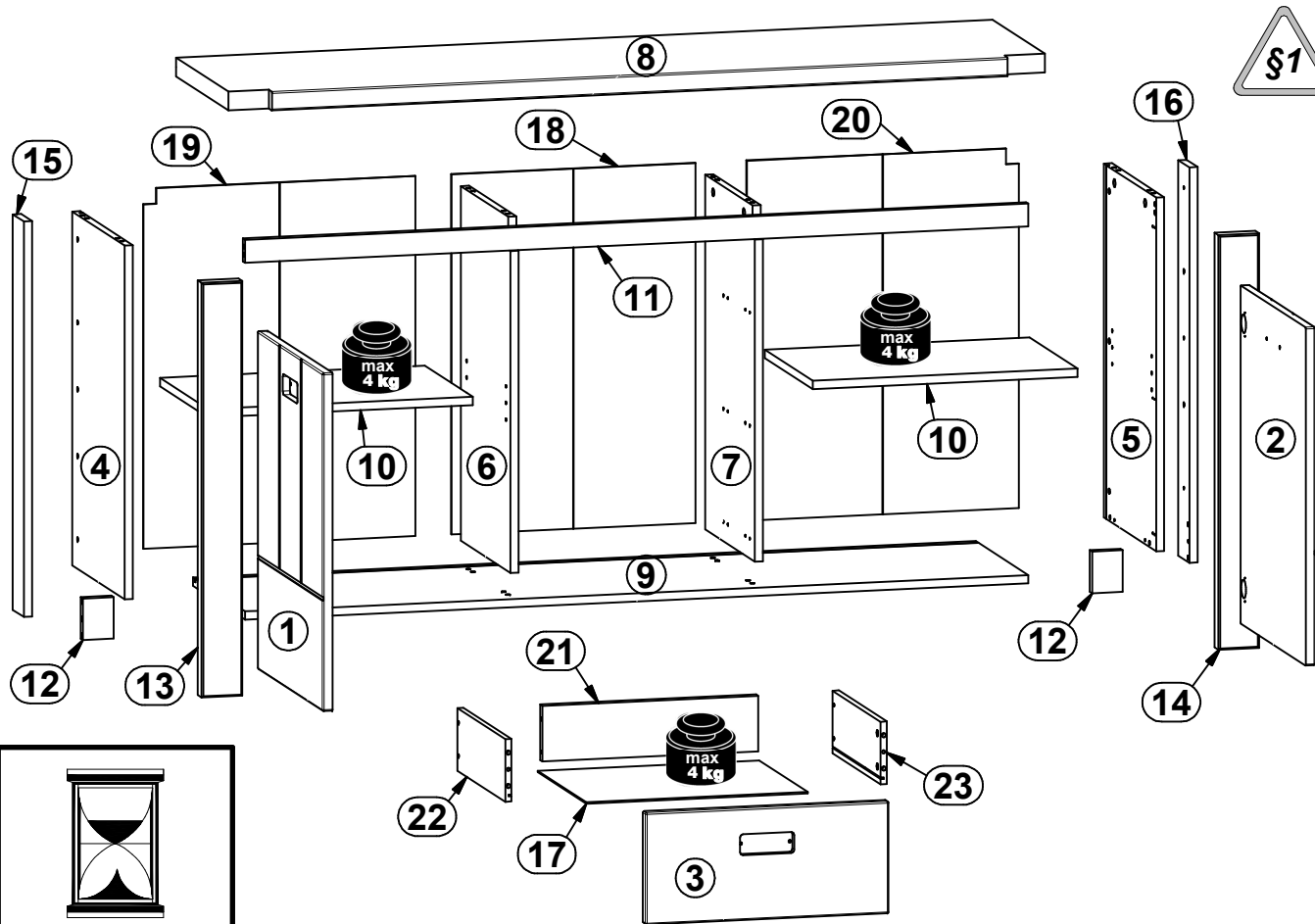
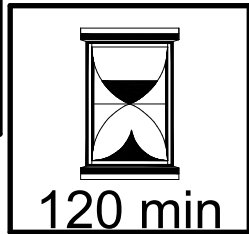
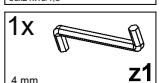
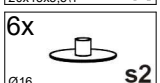
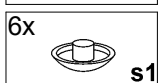
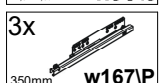
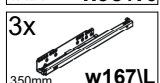
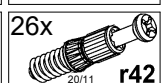
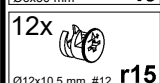
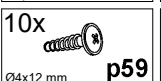
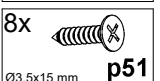
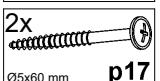
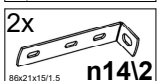
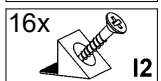
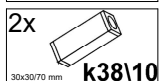
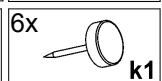
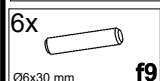
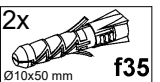
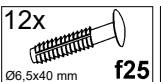
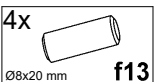
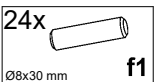
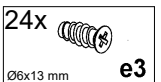
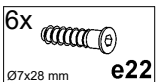
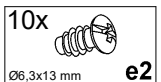
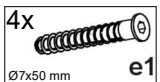
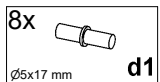
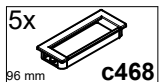
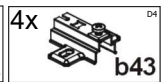
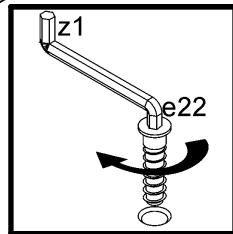
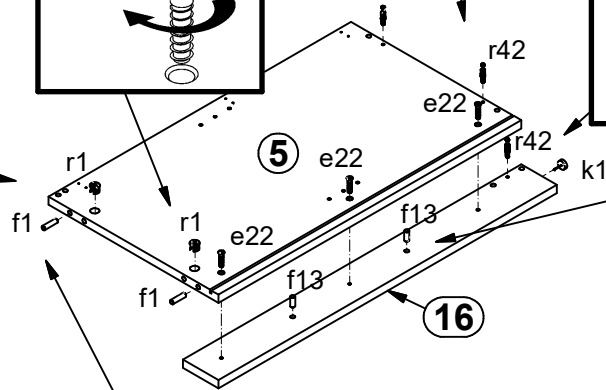
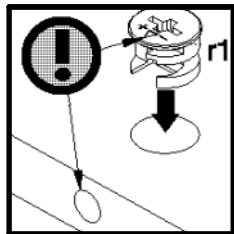
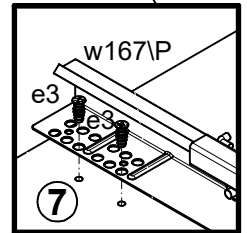
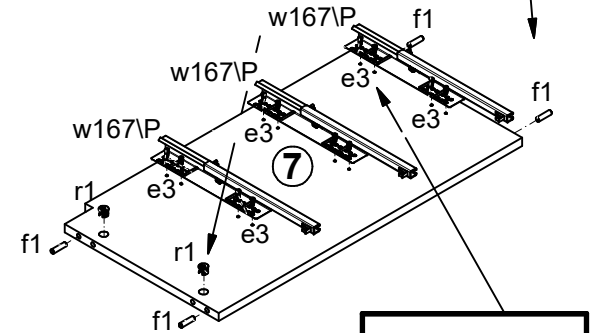
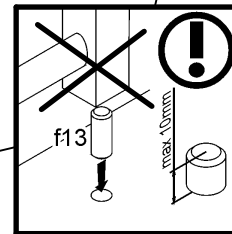
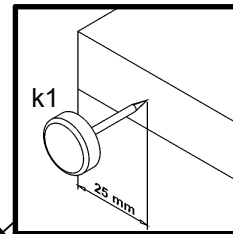
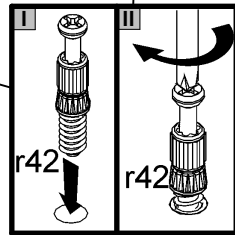
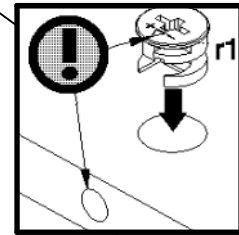
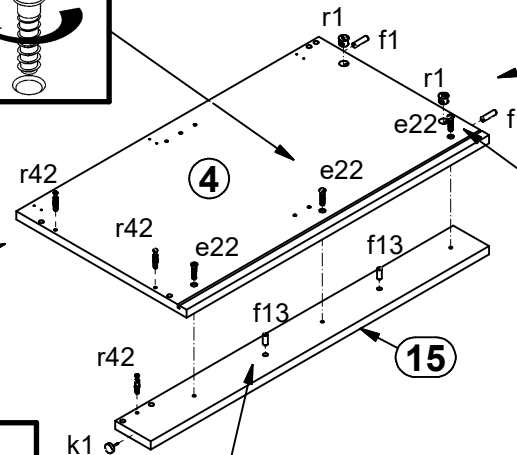
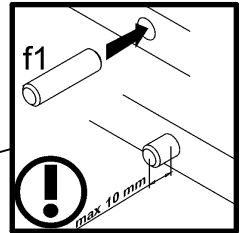
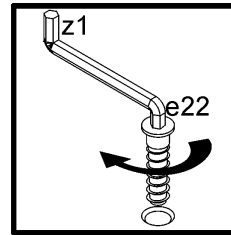
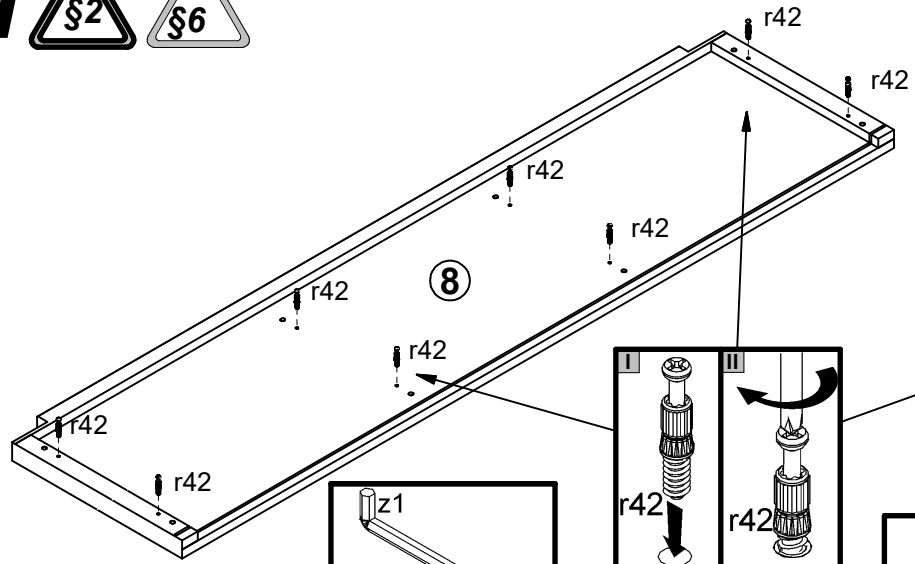


Ø10mm

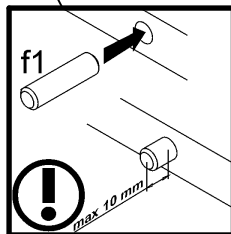
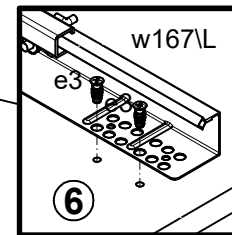
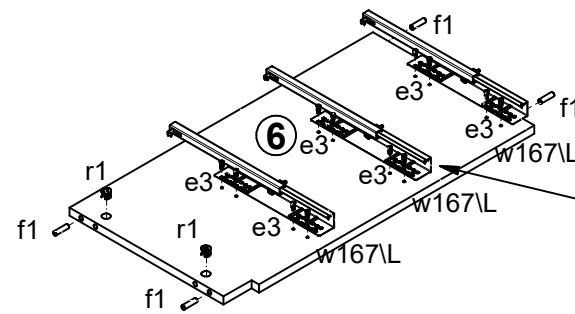


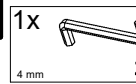
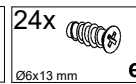
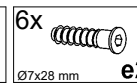
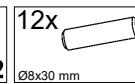
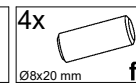
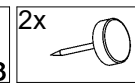
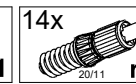
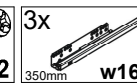
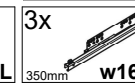
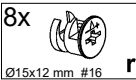
A	B	C (mm)		D
1	S378-0009	649	476	3/4
2	S378-0010	649	476	3/4
3	S378-0011	476	215	3/4
4	S378-1009	679	382	1/4
5	S378-1010	679	382	1/4
6	S378-1011	681	362	1/4
7	S378-1012	681	362	1/4
8	S378-2004	1597	405	2/4
9	S378-3012	1532	382	2/4
10	S378-3013	518	350	1/4
11	S378-4004	1532	44	2/4
12	S378-5005	80	60	4/4
13	S378-5010	796	80	4/4
14	S378-5011	796	80	4/4
15	S378-5012	759	80	4/4
16	S378-5013	759	80	4/4
17	S378-9002	433	355	2/4
18	S378-9305	691	477	1/4
19	S378-9306	691	532	1/4
20	S378-9308	691	532	1/4
21	ZQ2-1533	422	107	2/4
22	ZQ4-501	350	120	2/4
23	ZQ4-502	350	120	2/4



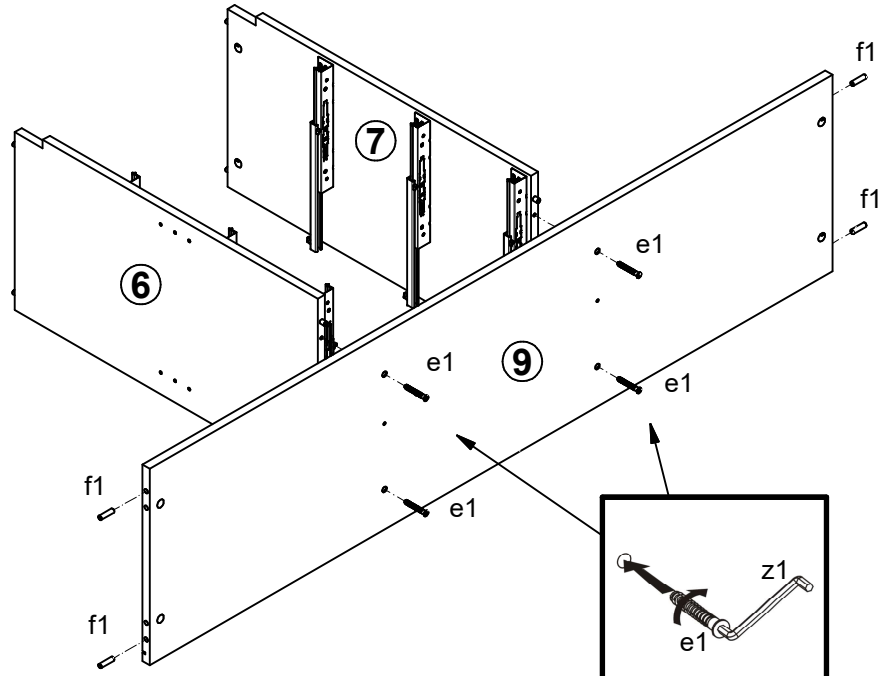


16

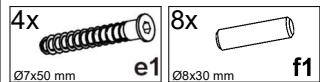
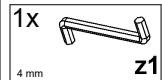
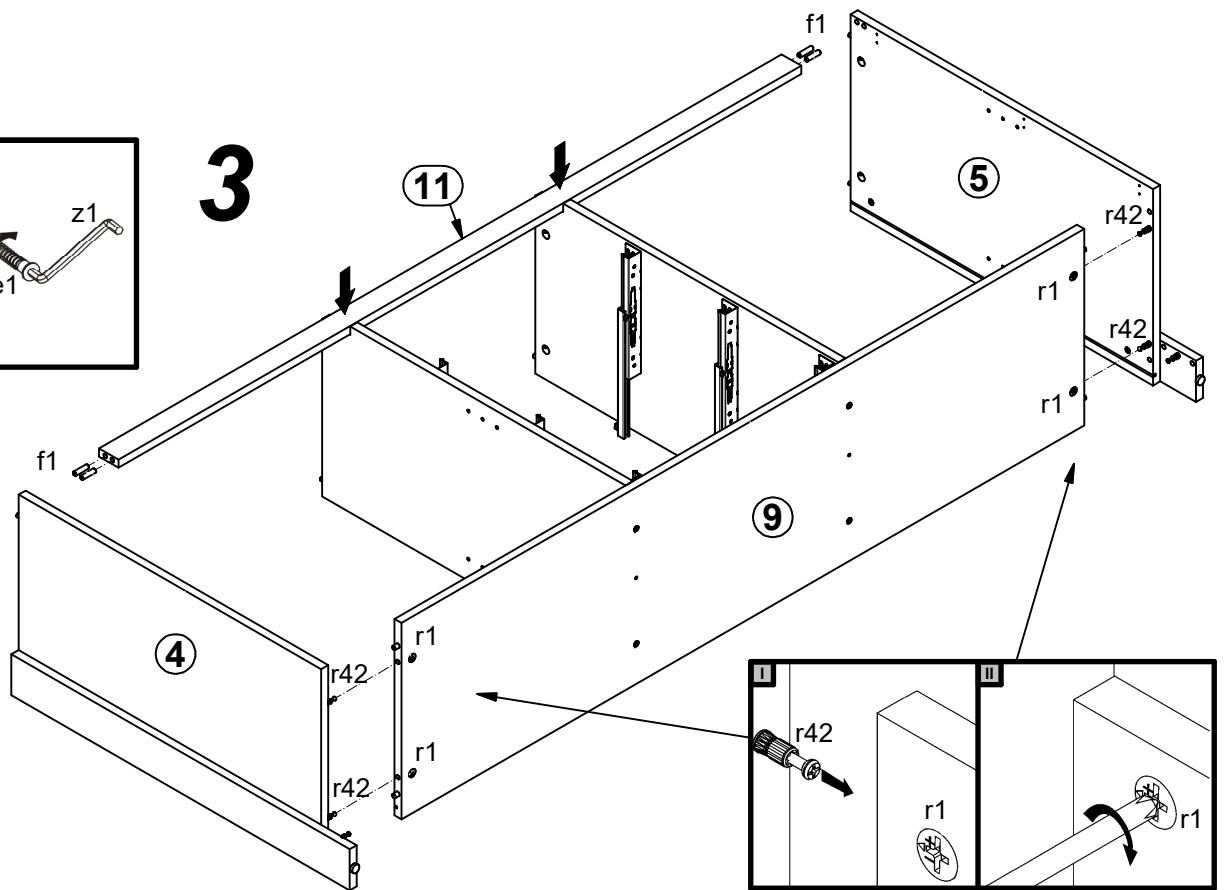


- 1x  z1
4 mm
- 24x  e3
Ø6x13 mm
- 6x  e22
Ø7x28 mm
- 12x  f1
Ø8x30 mm
- 4x  f13
Ø8x20 mm
- 2x  k1
- 14x  r42
20/11
- 3x  w167L
350mm
- 3x  w167P
350mm
- 8x  r1
Ø15x12 mm #16

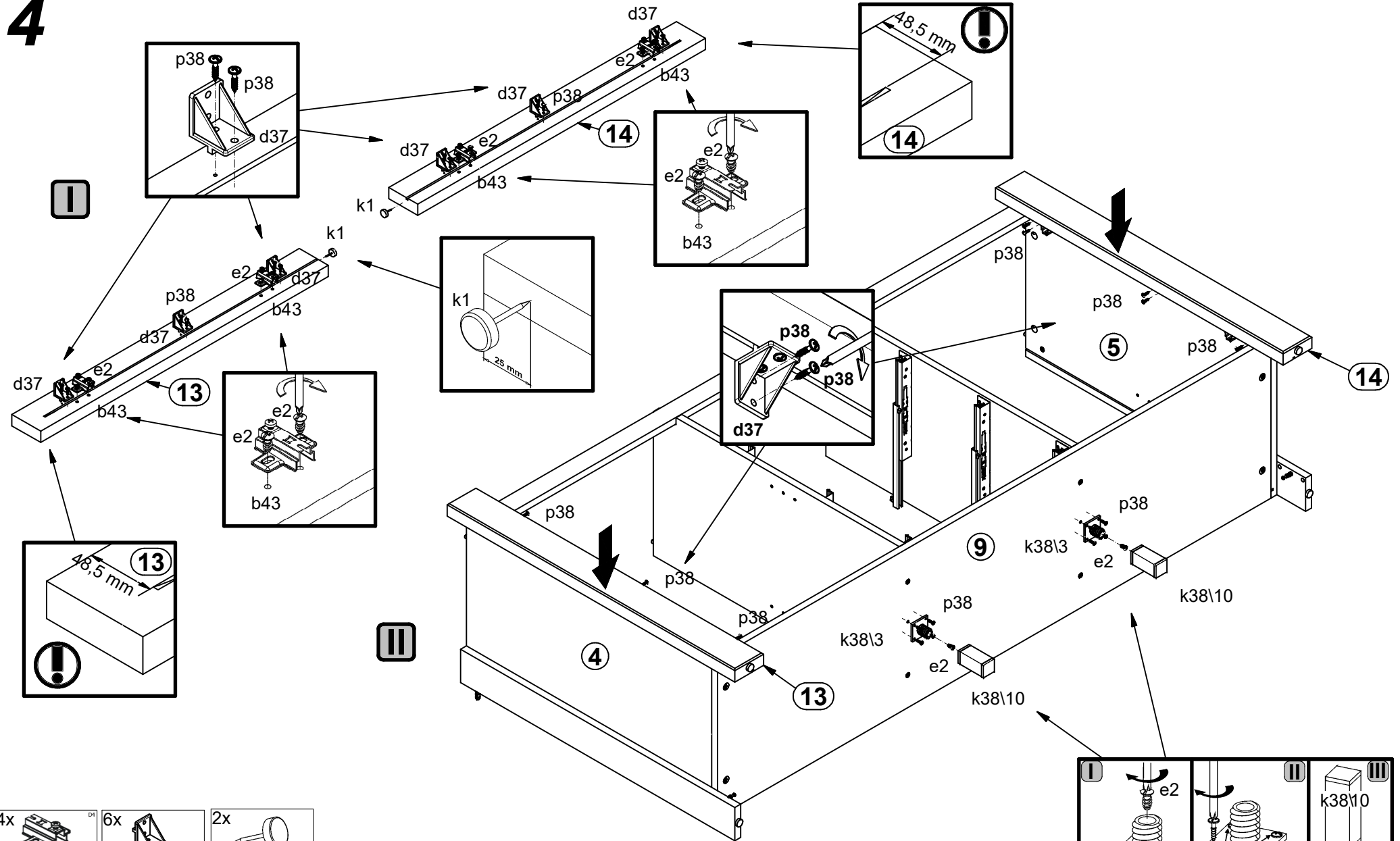
2



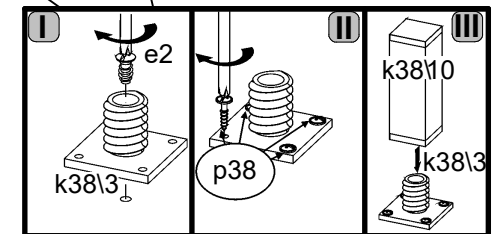
3



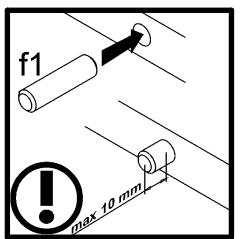
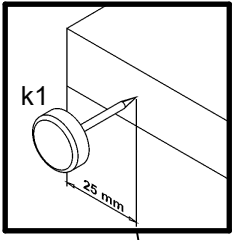
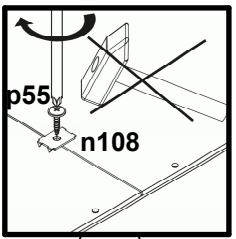
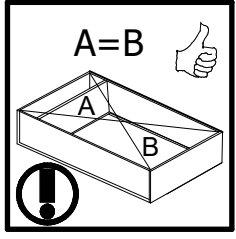
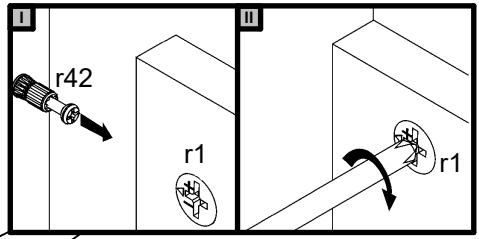
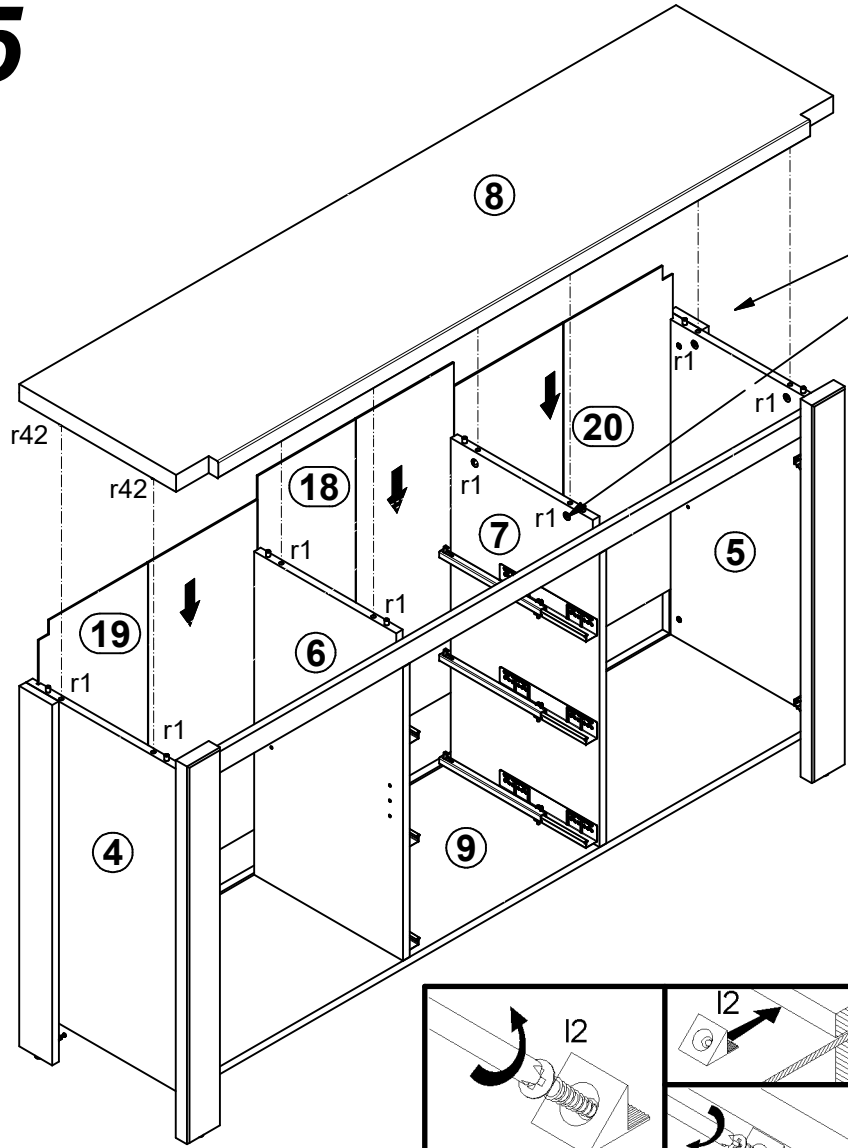
4



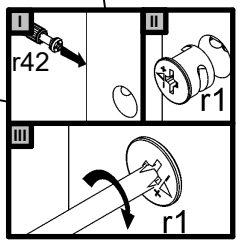
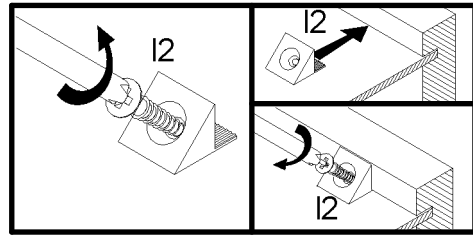
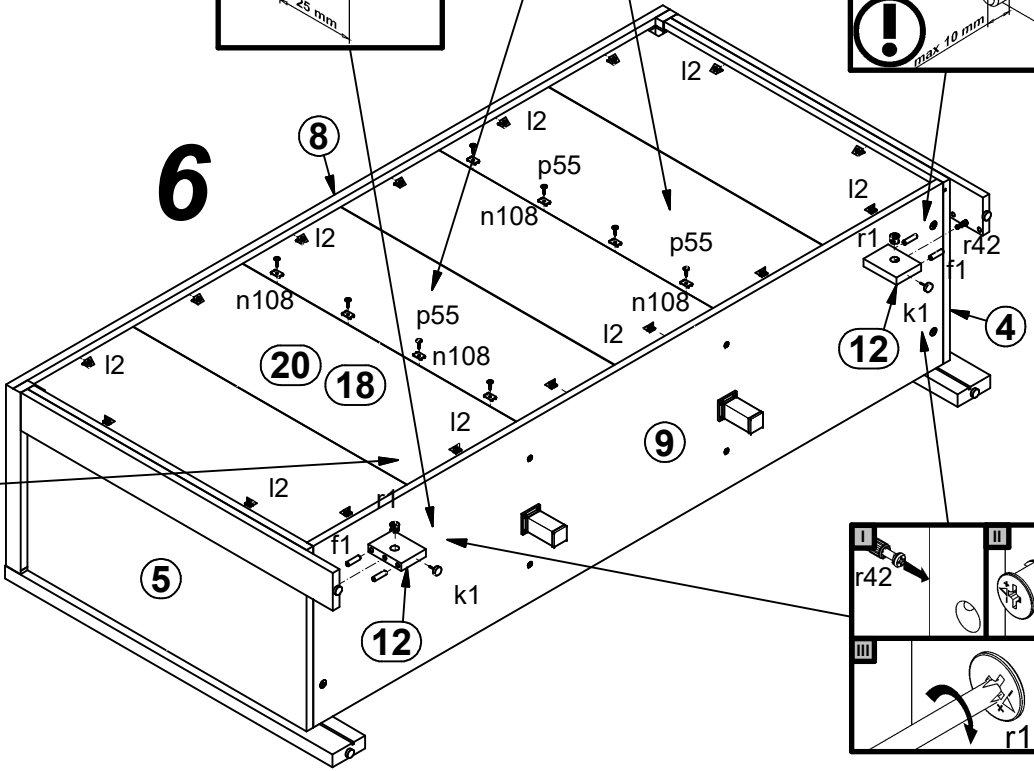
4x b43	6x d37	2x k1
10x e2 Ø6,3x13 mm	2x k38/10 30x30/70 mm	2x k38/13 42,5x42,5/4 mm
32x p38 Ø3,5x16 mm		



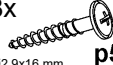


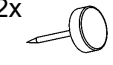


5

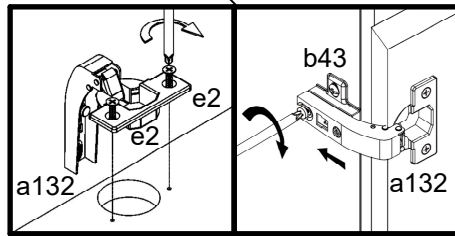
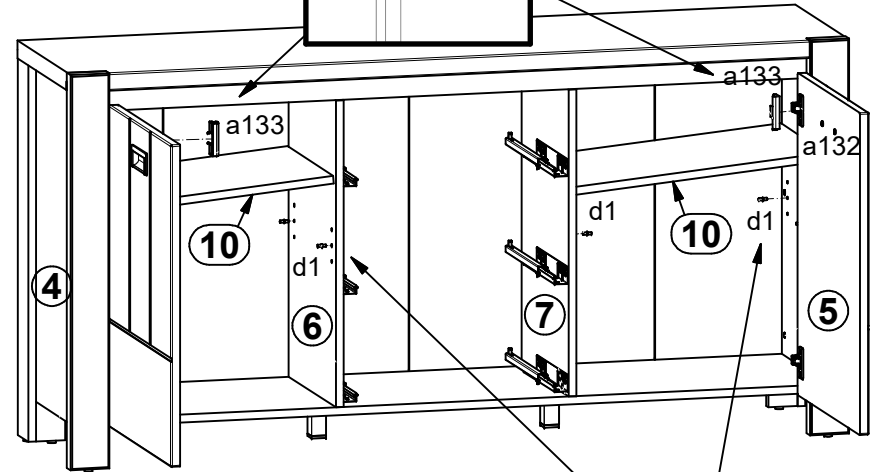
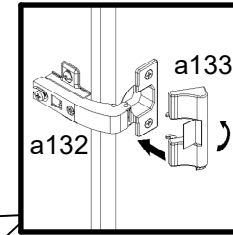
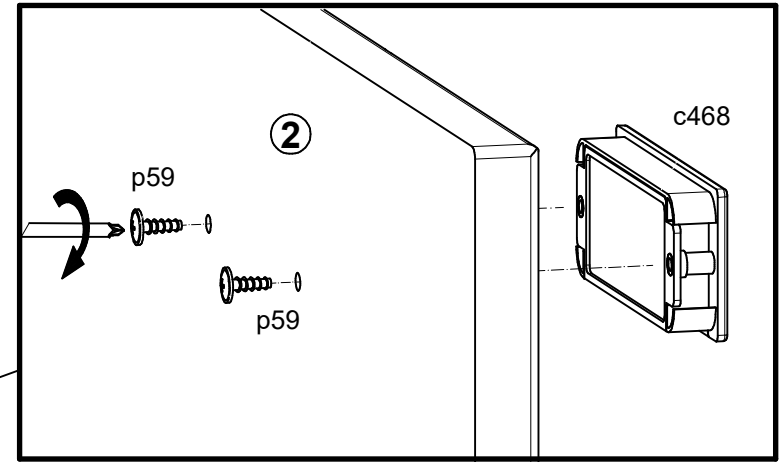
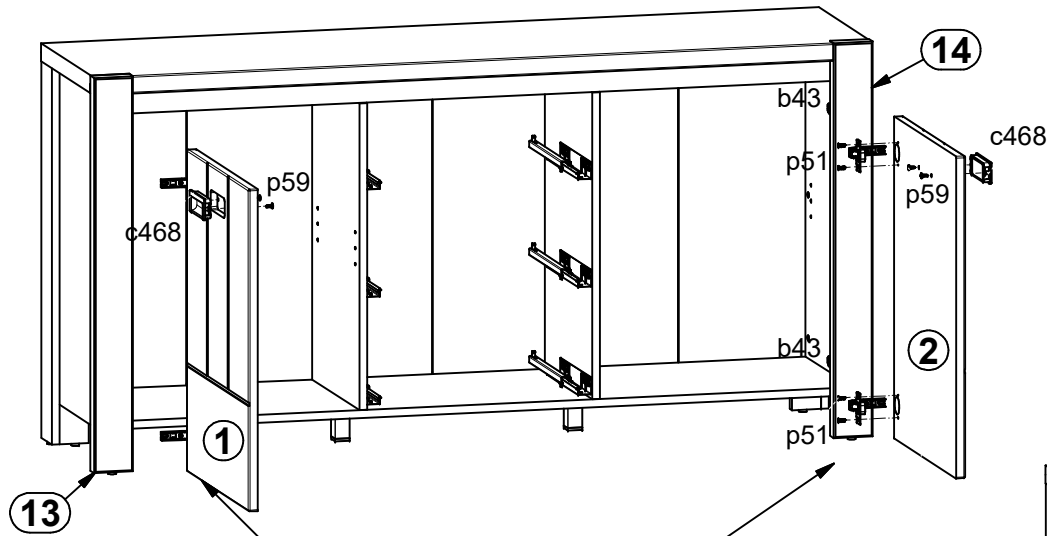


6

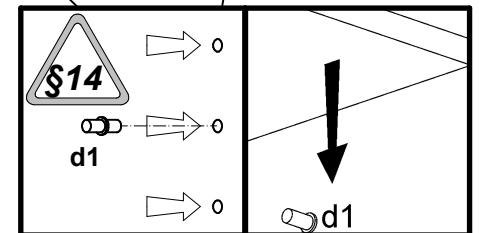





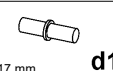
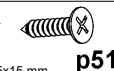

- 4x  f1
- 16x  l2
- 8x  p55
- 8x  n108
- 2x  r1
- 2x  k1

7

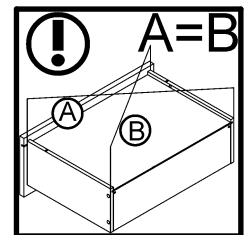
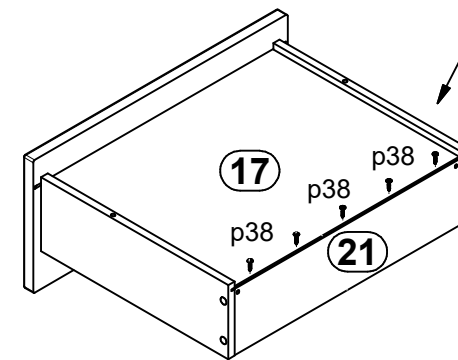
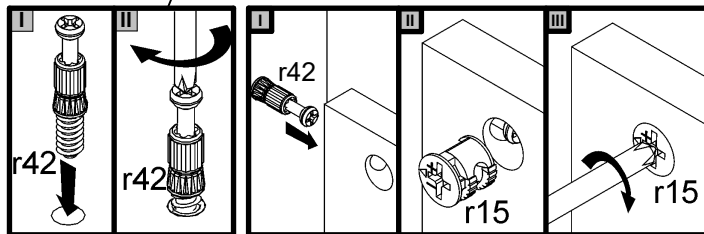
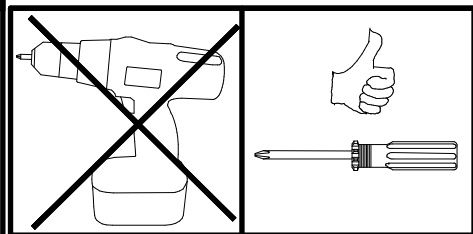
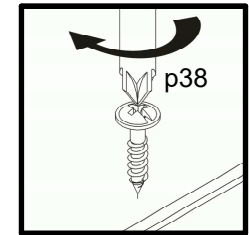
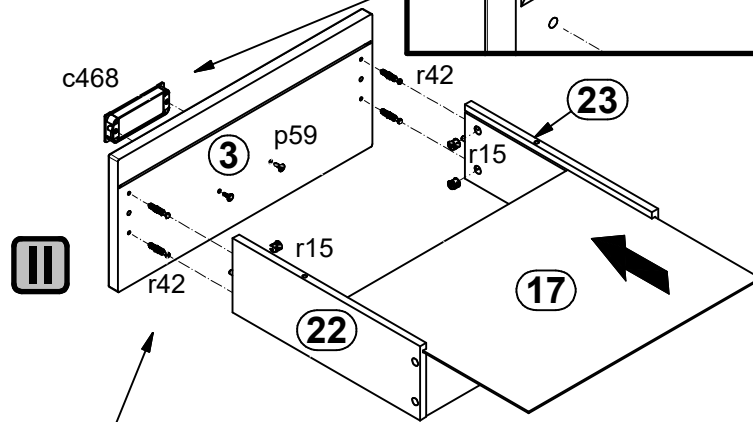
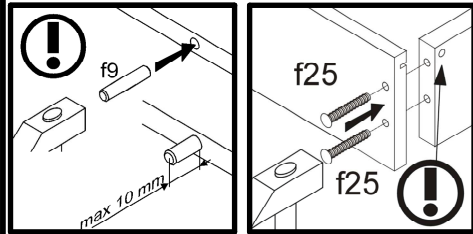
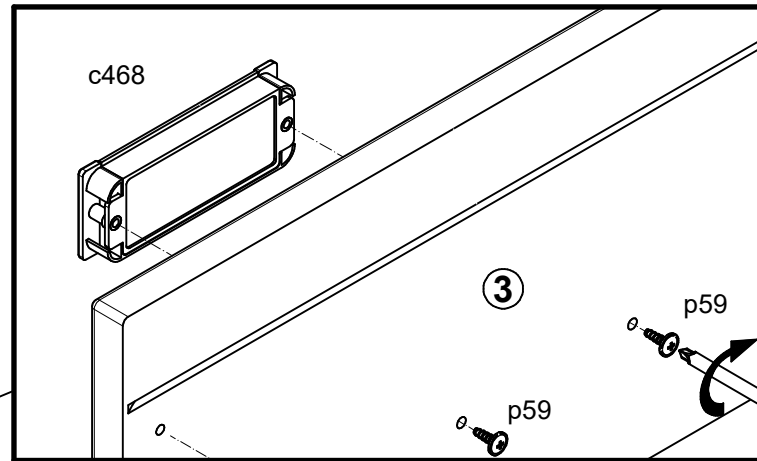
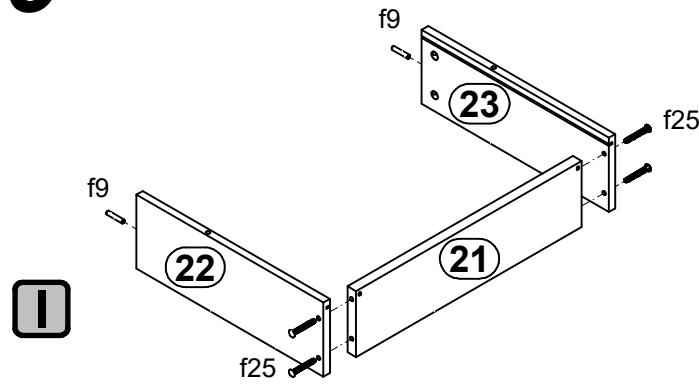









8



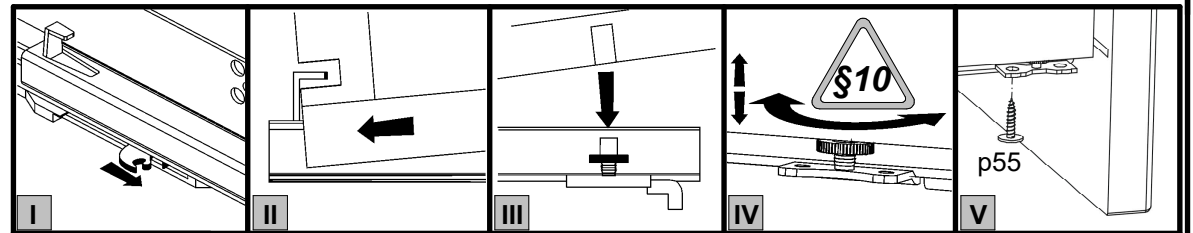
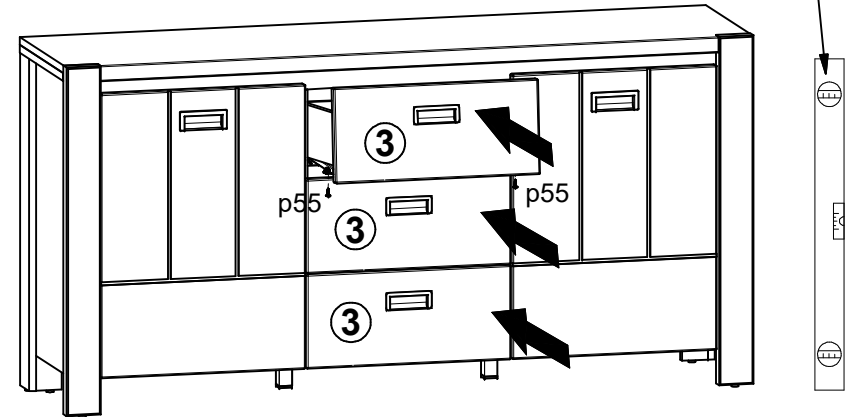
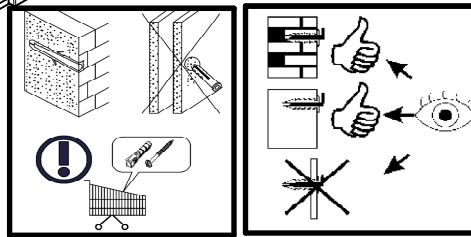
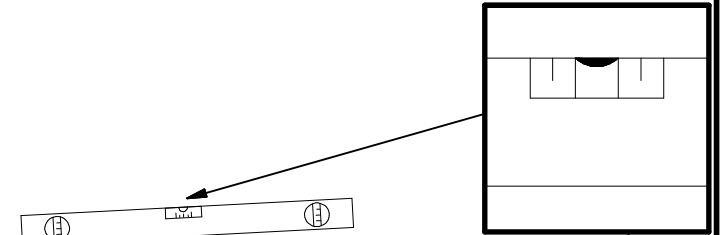
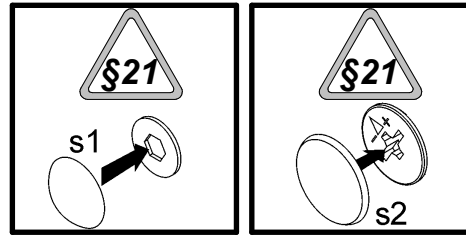
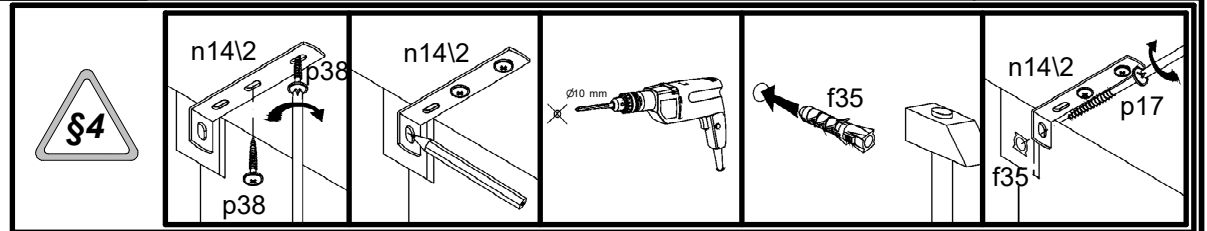
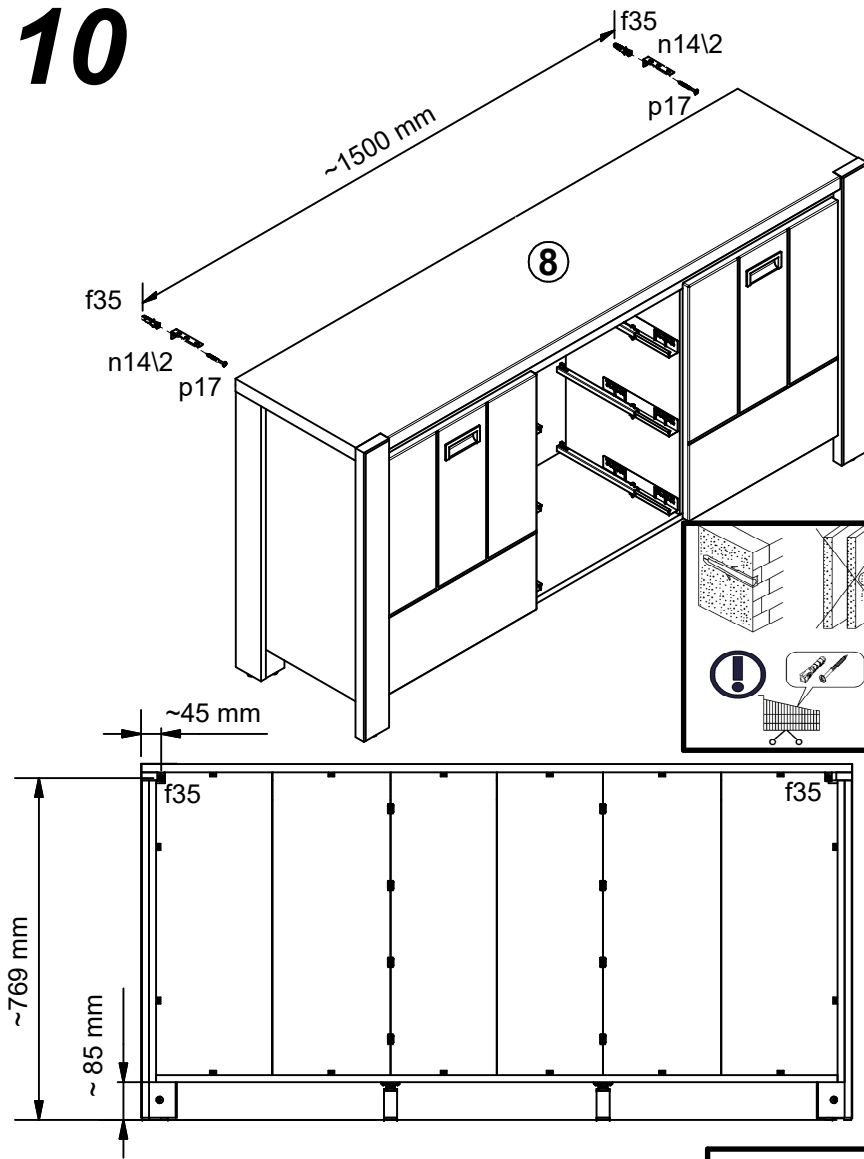
- 4x  a132
- 2x  a133
- 2x  c468 96 mm
- 8x  d1 Ø5x17 mm
- 8x  p51 Ø3,5x15 mm
- 4x  p59 Ø4x12 mm

9



- 3x

86 mm
c468
- 6x

Ø6x30 mm
f9
- 12x

Ø6,5x40 mm
f25
- 15x

Ø3,5x16 mm
p38
- 6x

Ø4x12 mm
p59
- 12x

Ø12x10,5 mm #12
r15
- 12x

20/11
r42

10



- 2x f35 Ø10x50 mm
- 2x n14\2 86x21x15\1.5
- 2x p17 Ø5x60 mm
- 4x p38 Ø3.5x16 mm
- 6x p55 Ø2.9x16 mm
- 6x s1
- 6x s2 Ø16

