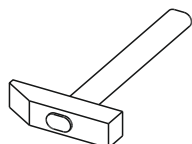
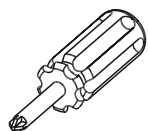
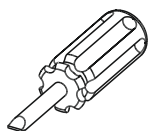
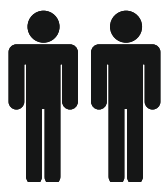
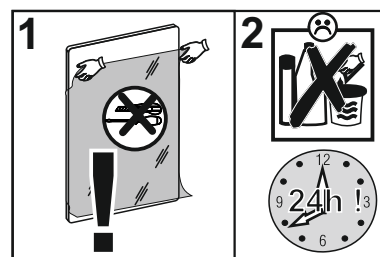
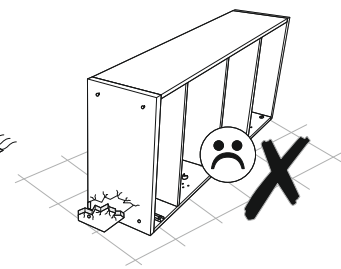
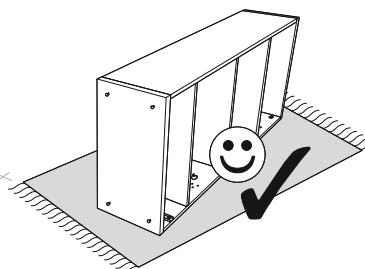
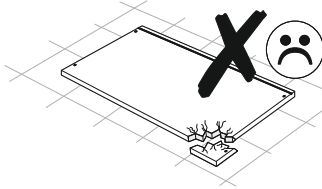
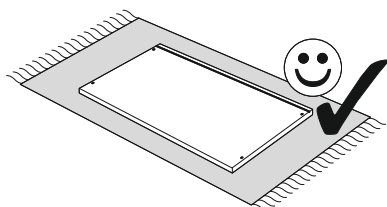
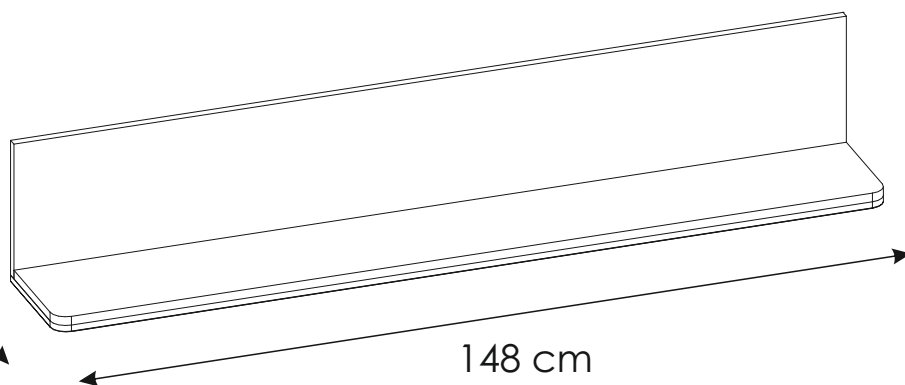
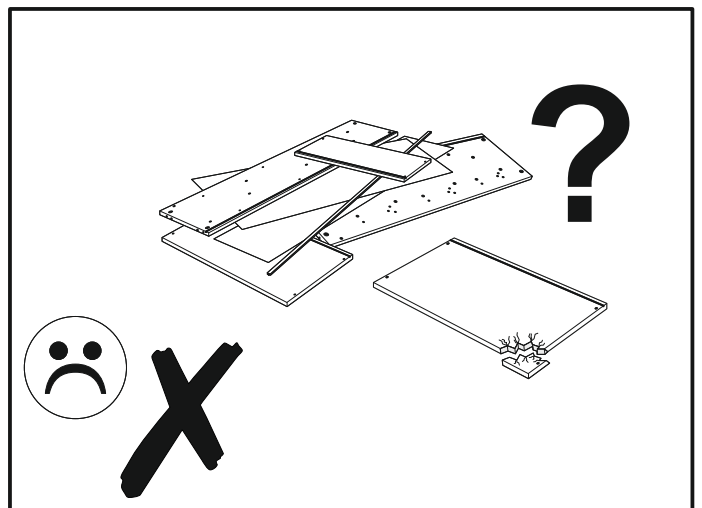
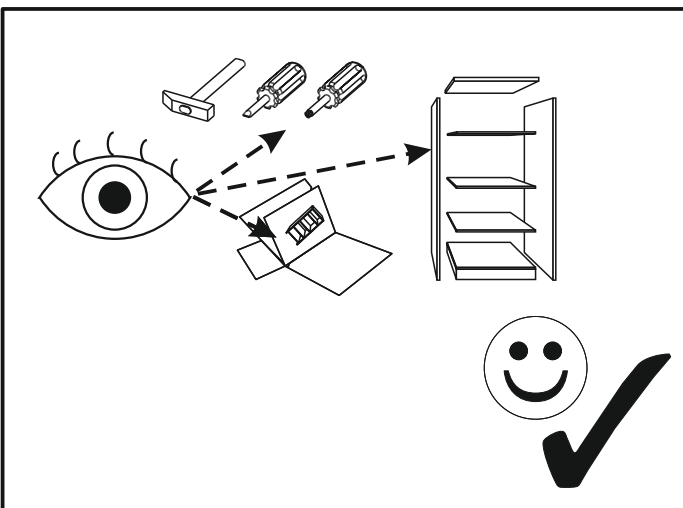
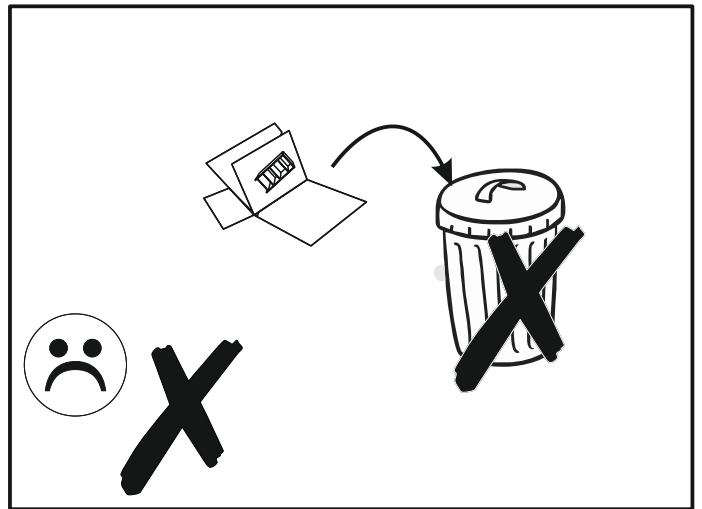
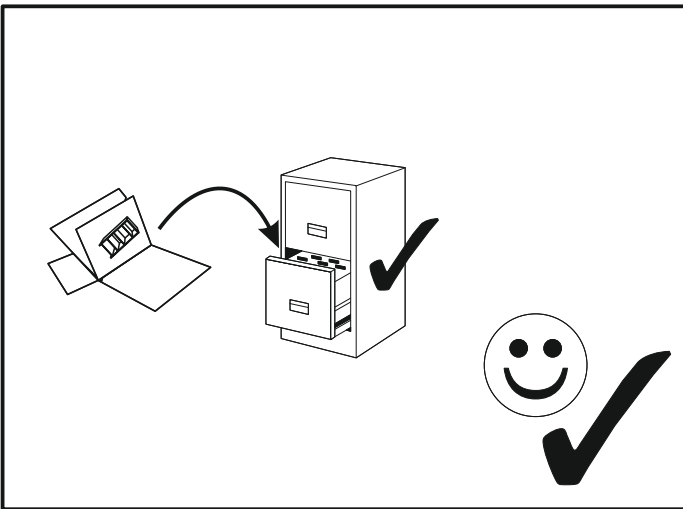
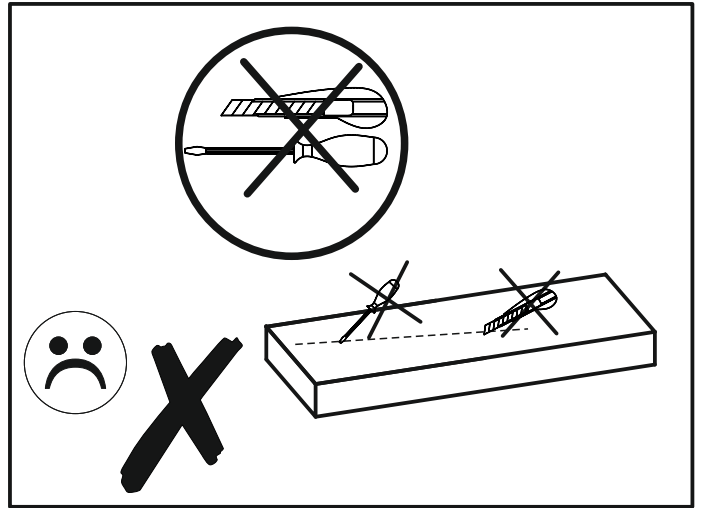
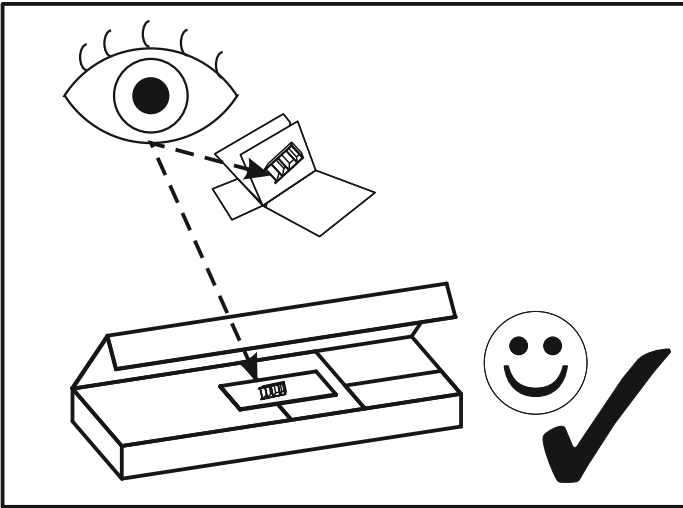


# GOBI 61

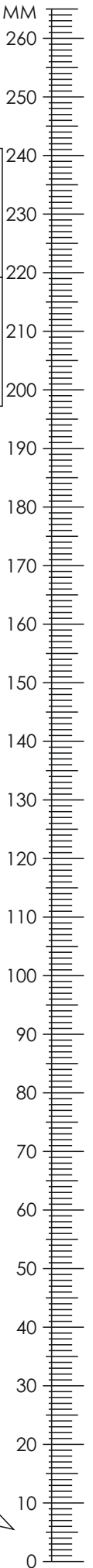


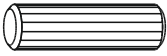




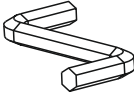


26,5 cm  
22 cm

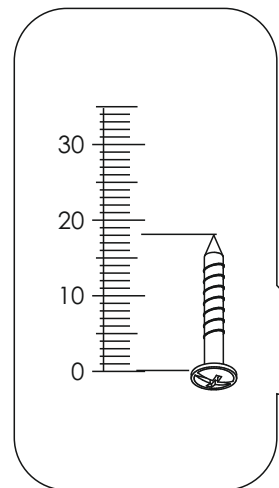




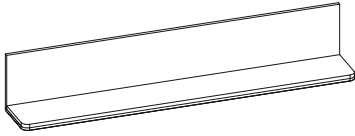
# GOBI 61



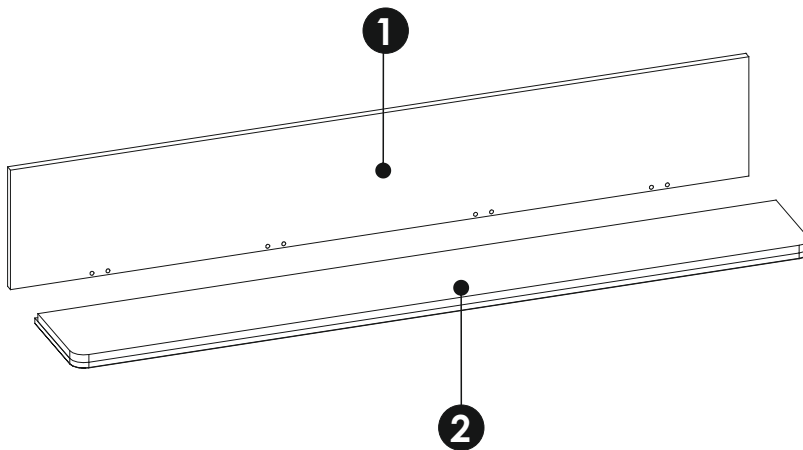
<b>A1</b> x 4 $\varnothing 8 \times 35$ mm 	<b>C2</b> x 4 $\varnothing 5 \times 13$ mm 	<b>C4</b> x 2 $\varnothing 6,3 \times 13$ mm 
<b>G0</b> x 4 	<b>G2</b> x 4 $\varnothing 7 \times 60$ mm 	<b>M</b> x 1 
<b>P1</b> x 2 	<b>R10</b> x 2 	

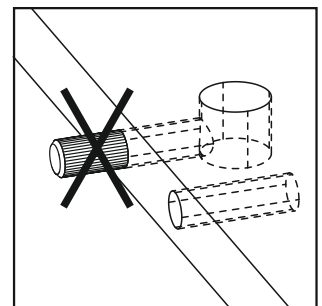
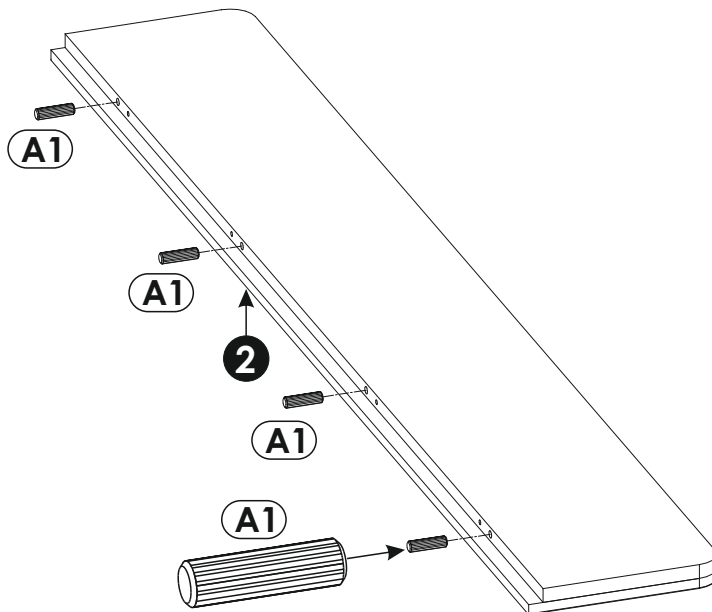
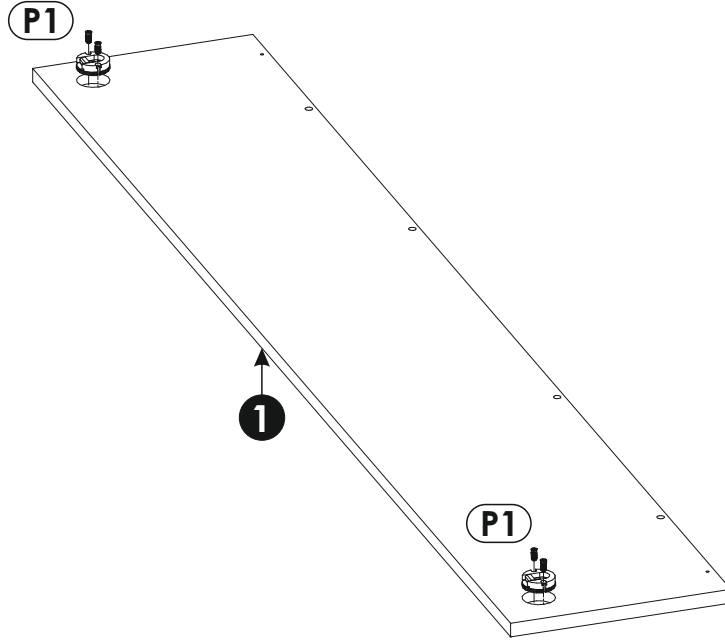
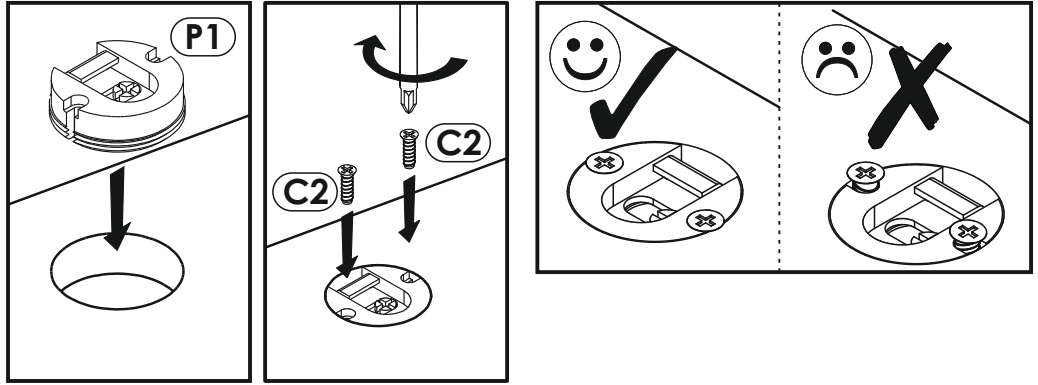


# GOBI 61

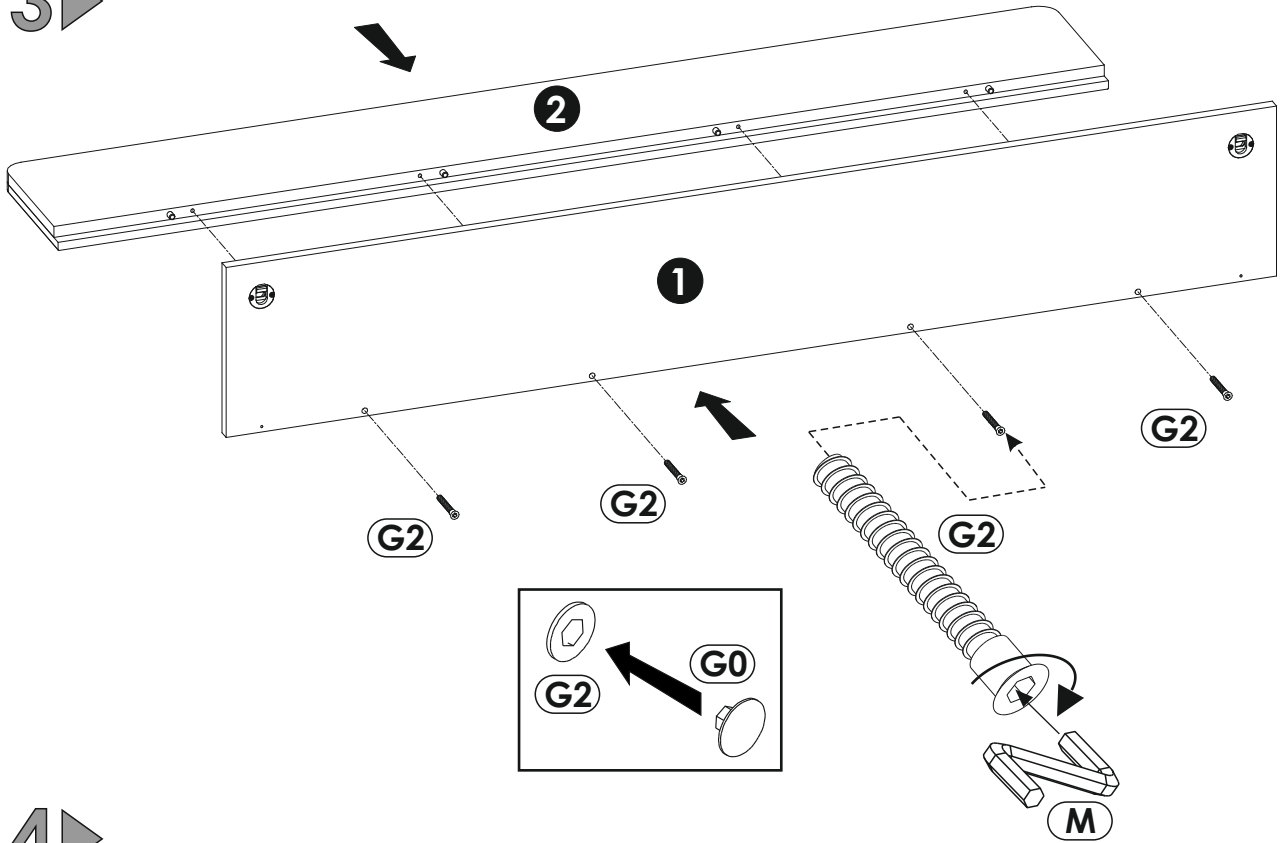


<b>1</b>	1478	248	16	x1	1/1
<b>2</b>	1478	220	28	x1	1/1





3 ▶



4 ▶

