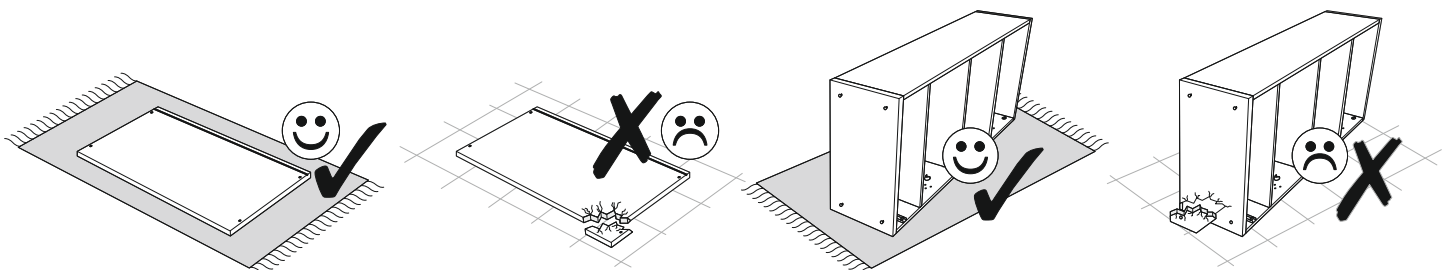
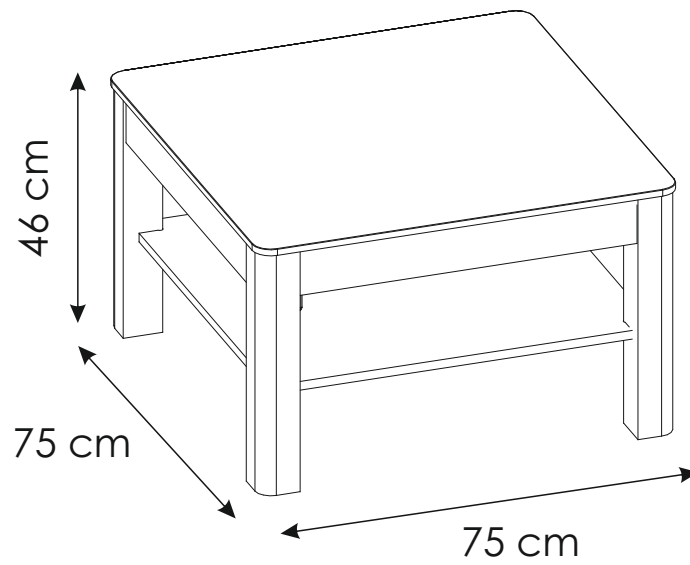
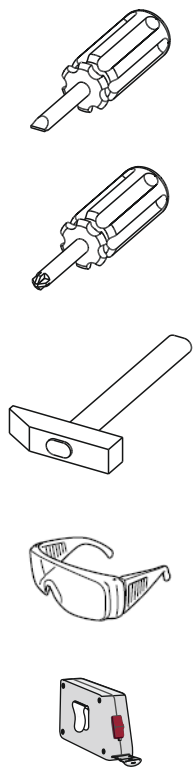
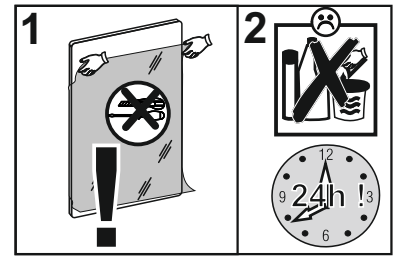
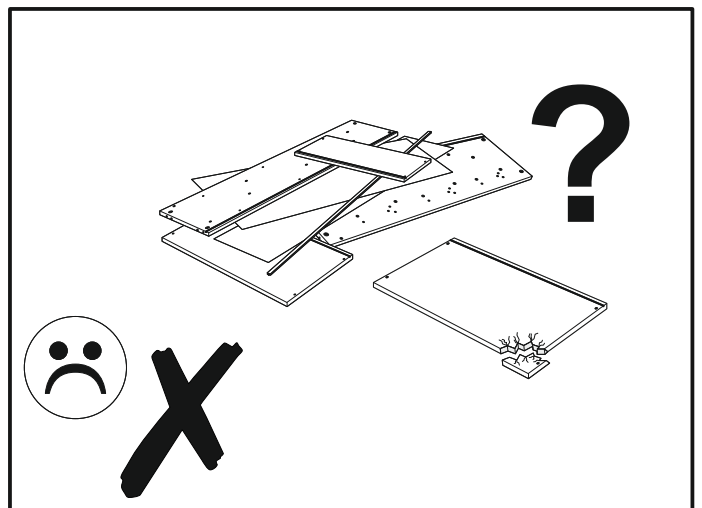
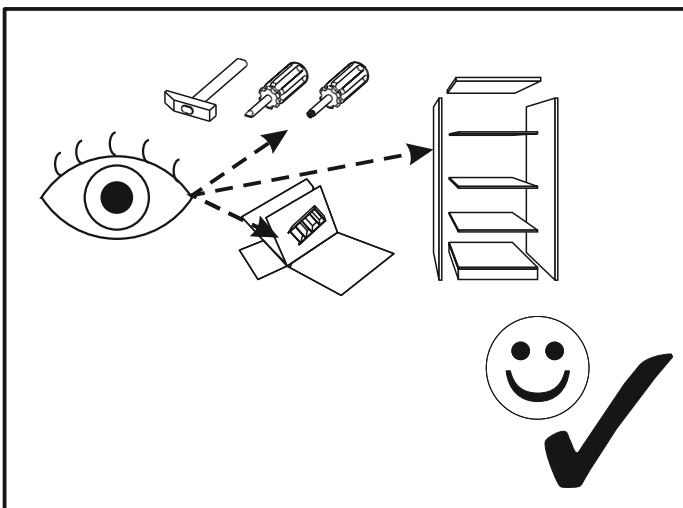
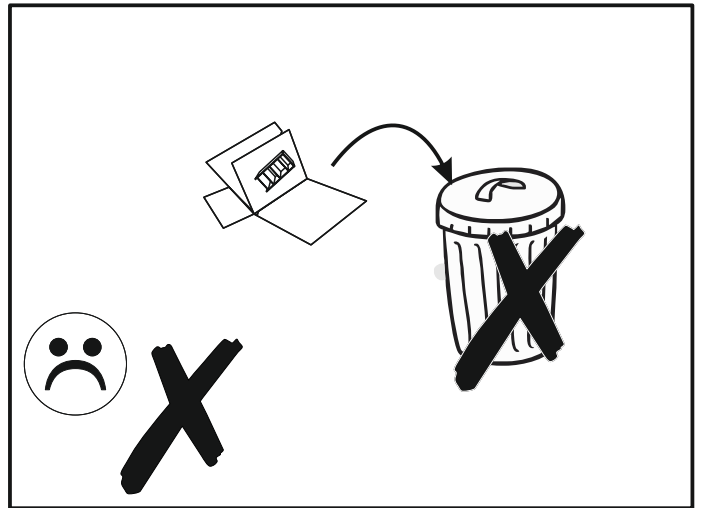
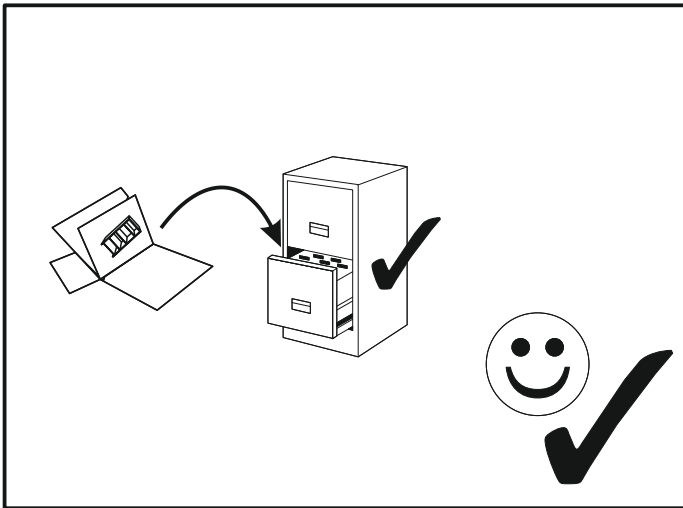
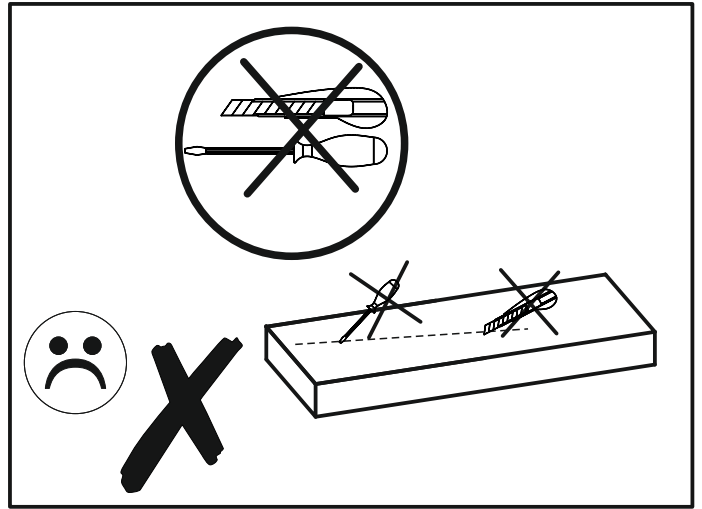
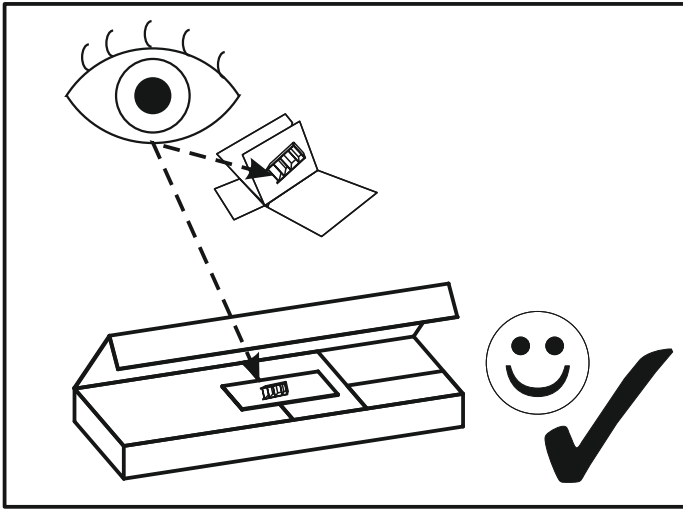
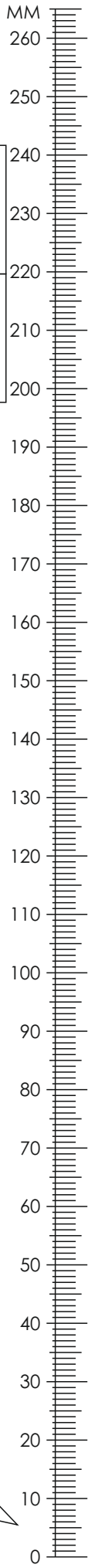



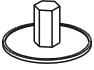


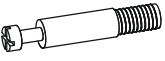
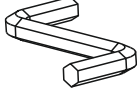
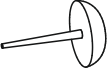

# GOBI 71

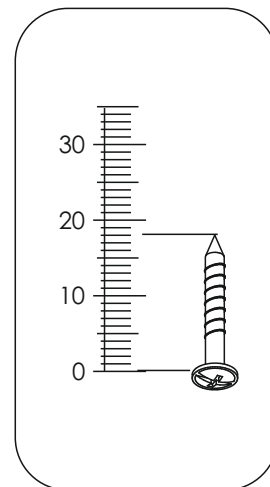




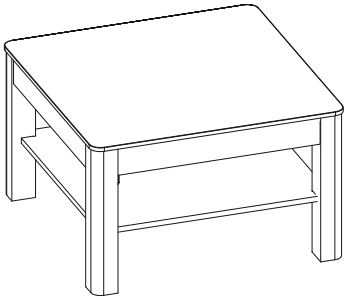
# GOBI 71



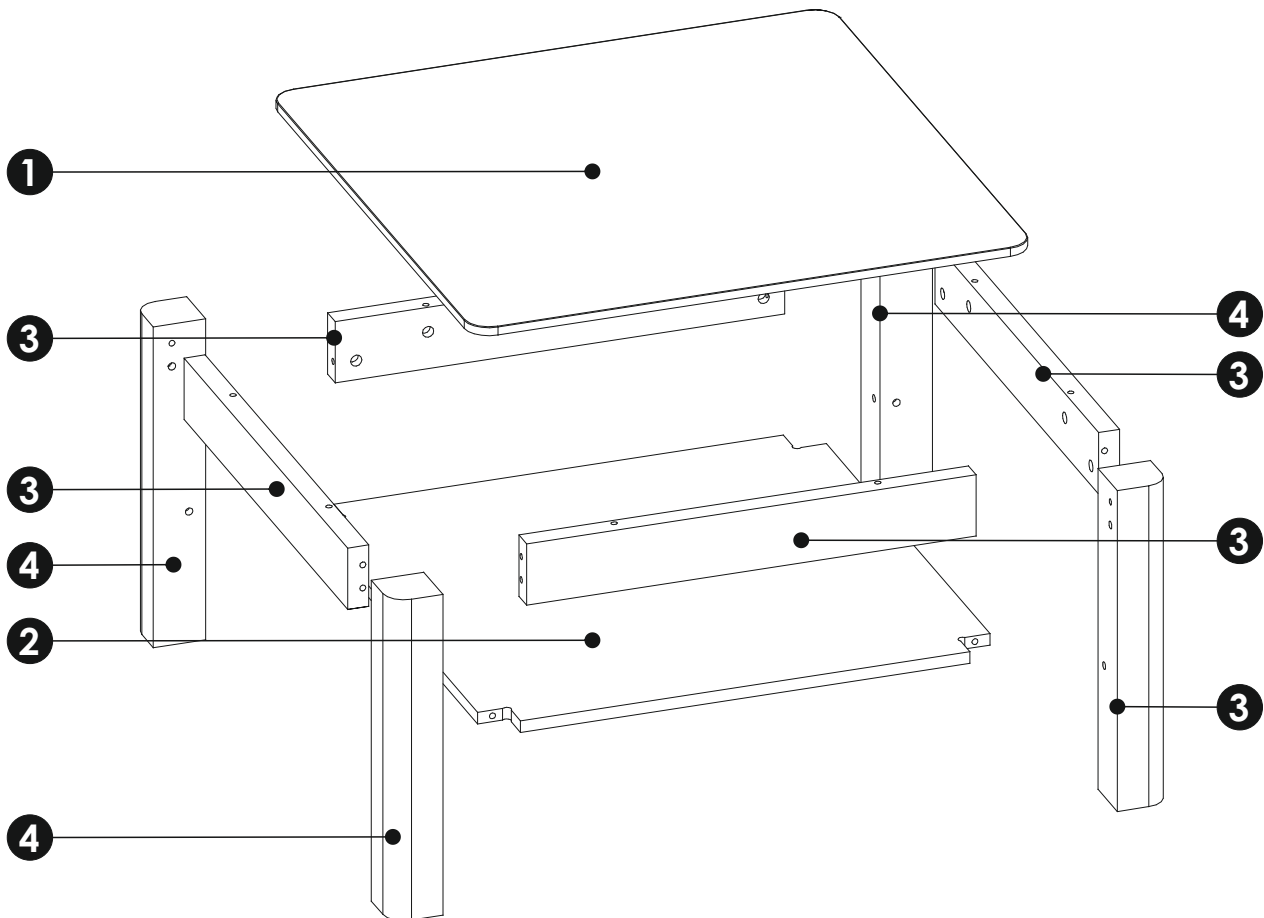
<p><b>A1</b> x 8 <math>\varnothing</math>8 x 35 mm</p> 	<p><b>E0</b> x 20</p> 	<p><b>E1</b> x 20 <math>\varnothing</math>15 x 12 mm</p> 
<p><b>F01</b> x 8 <math>\varnothing</math>6 x 34 mm</p> 	<p><b>F5</b> x 12</p> 	<p><b>M</b> x 1</p> 
<p><b>O2</b> x 8</p> 	<p><b>S3</b> x 12</p> 	

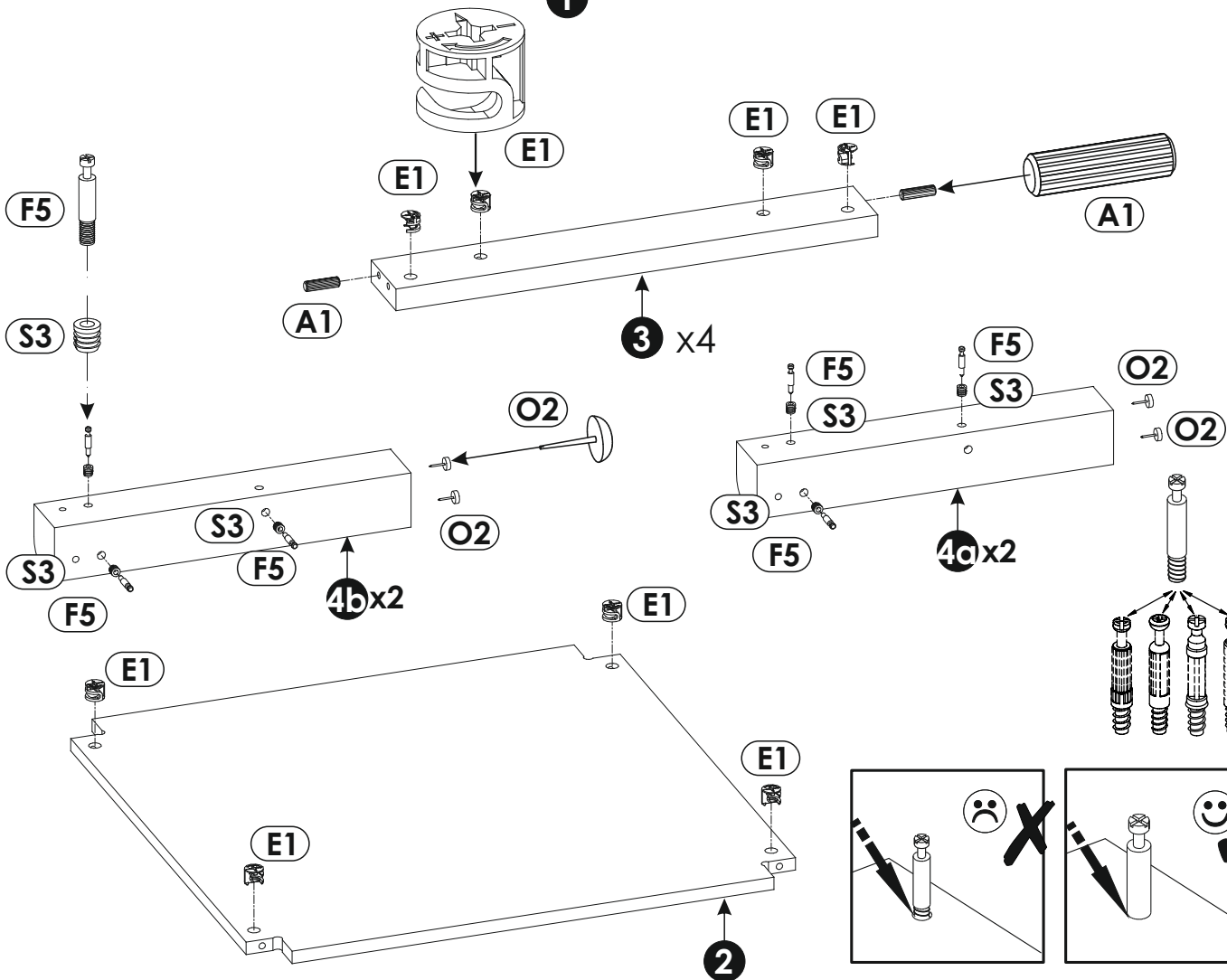
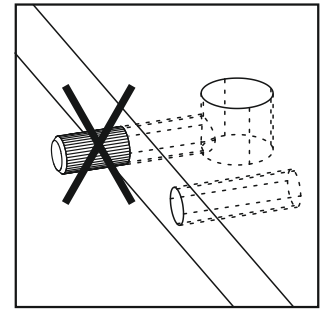
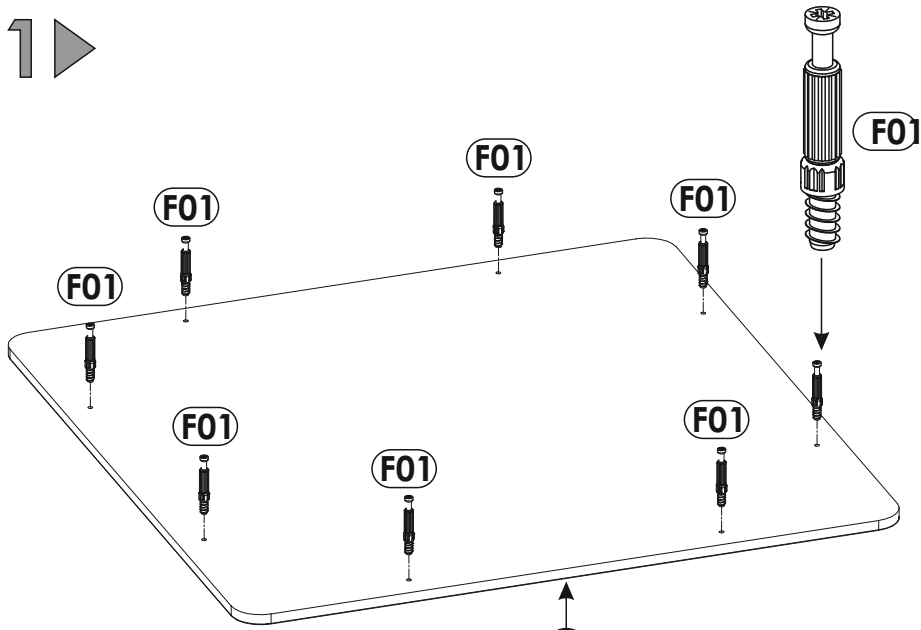
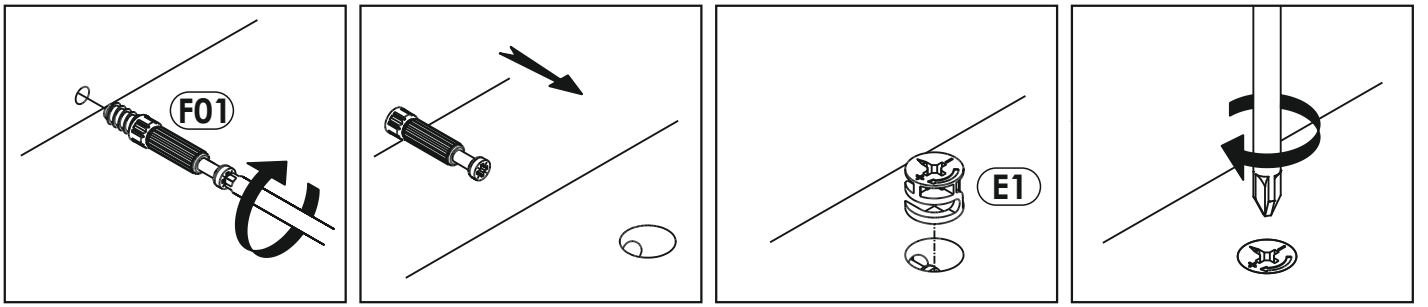


# GOBI 71

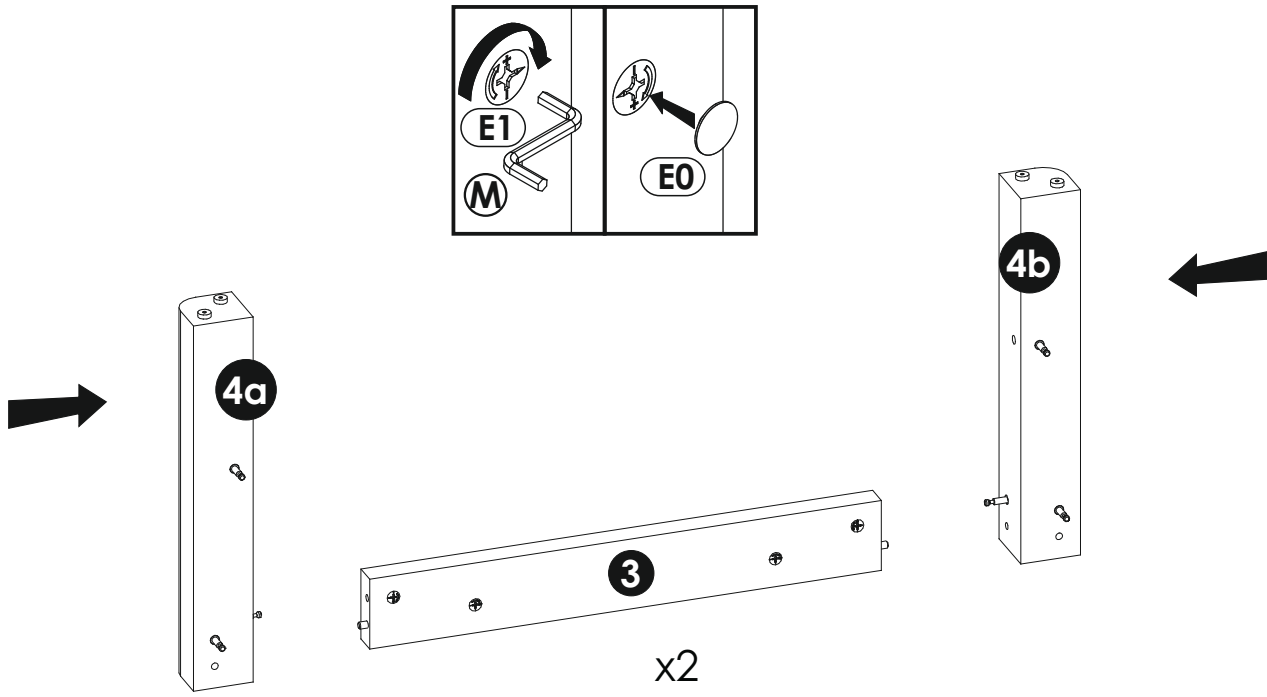


<b>1</b>	750	750	12	x1	1/1
<b>2</b>	684	684	16	x1	1/1
<b>3</b>	600	85	28	x4	1/1
<b>4</b>	444	70	70	x4	1/1

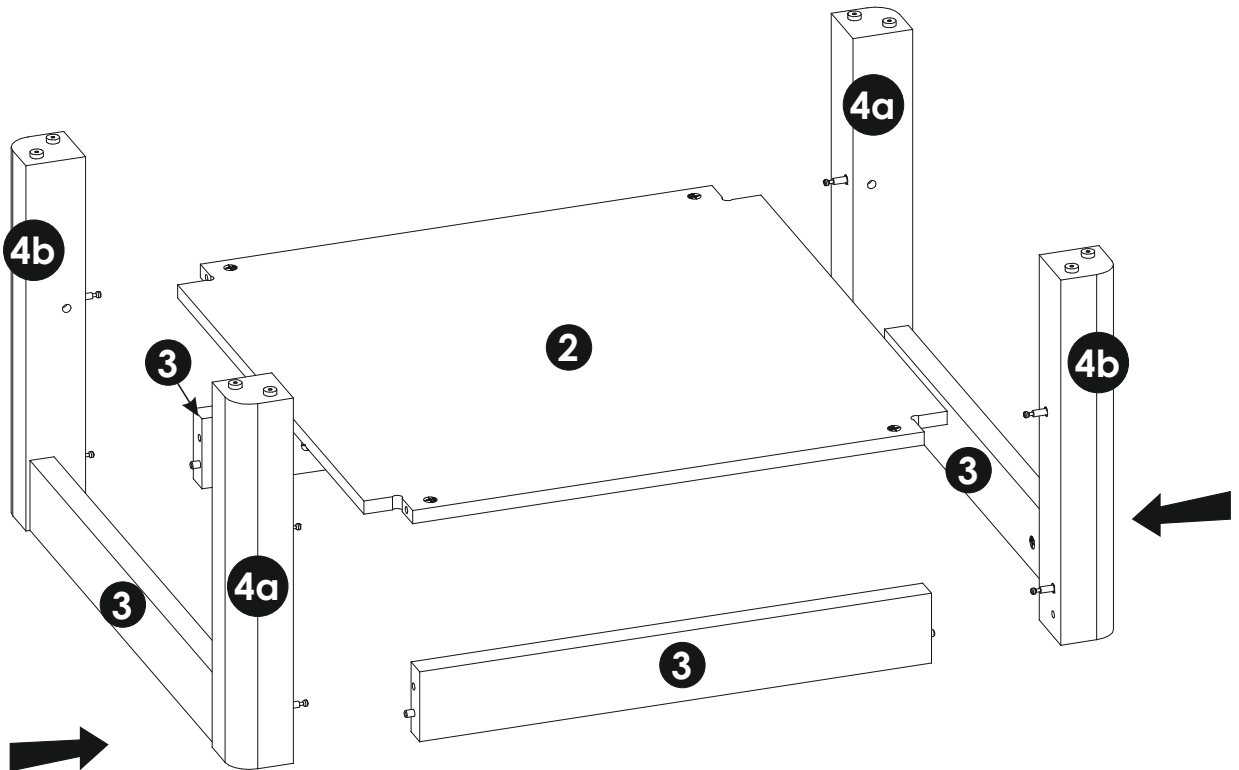




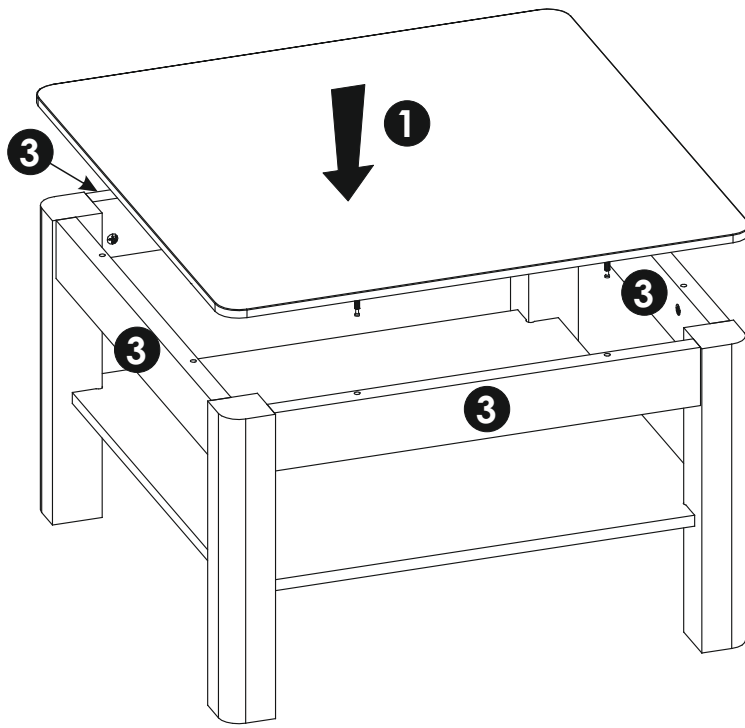
2 ▶



3 ▶



4 ▶



5 ▶

