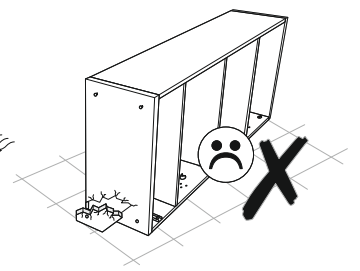
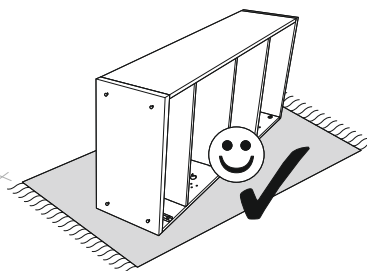
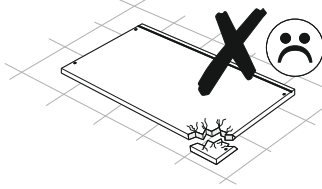
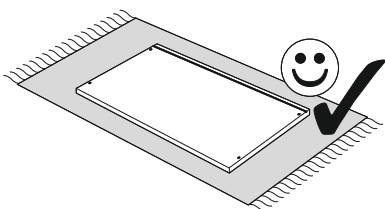
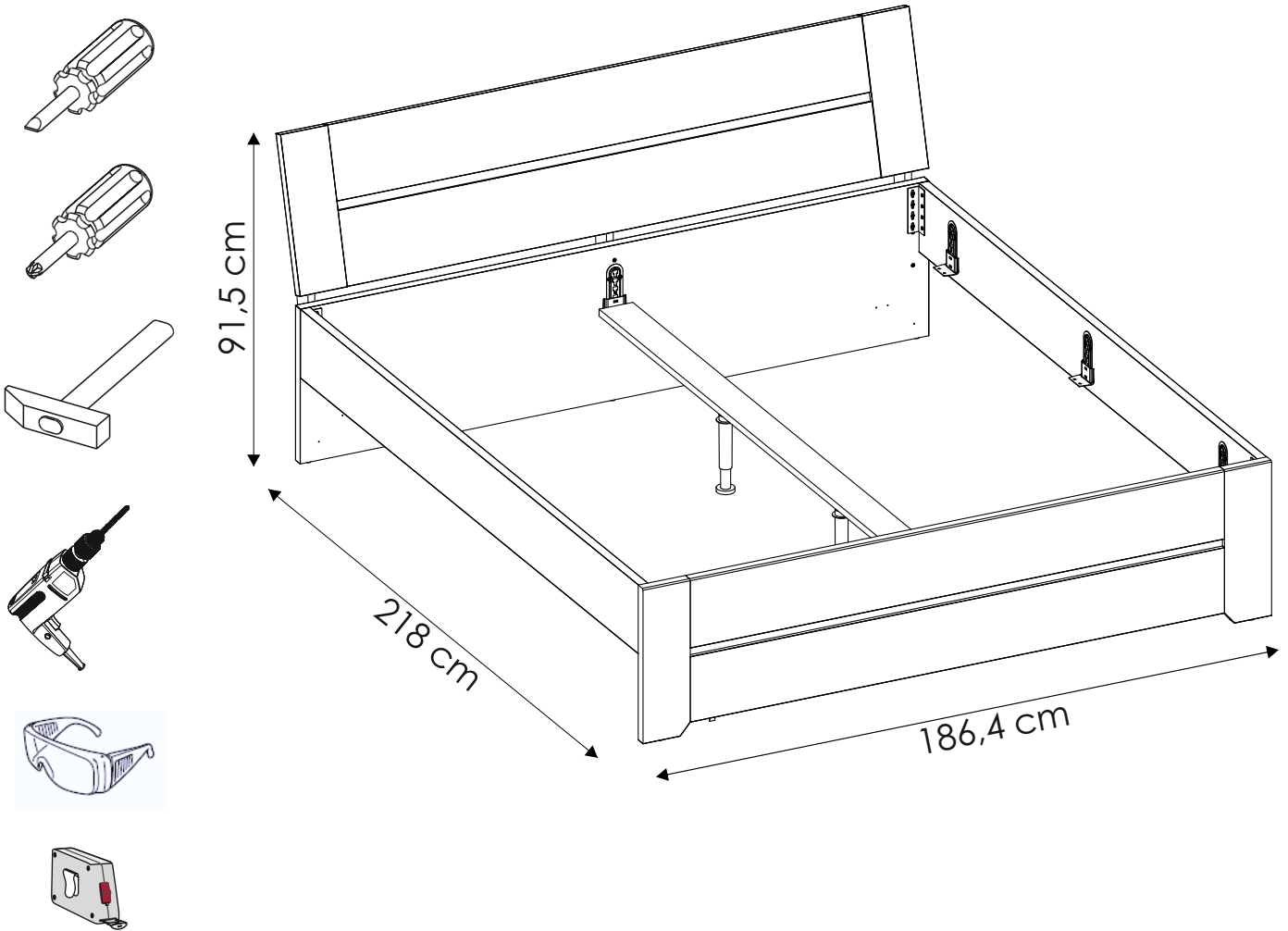
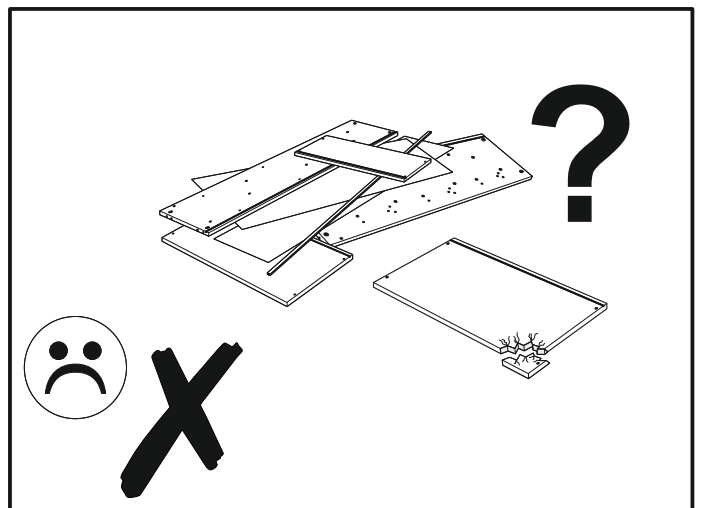
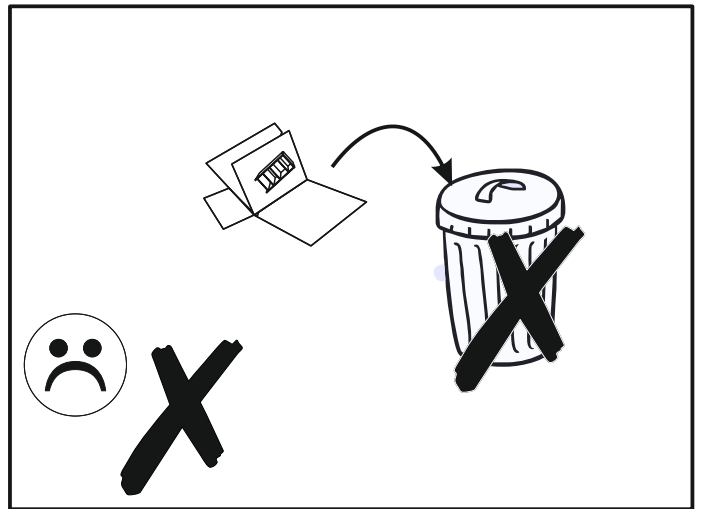
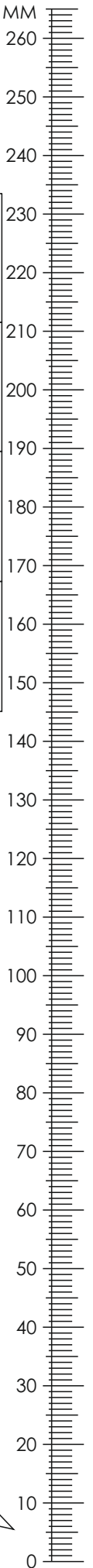





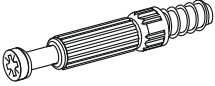


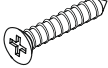
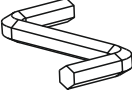

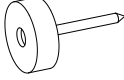
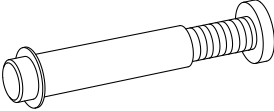
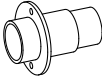
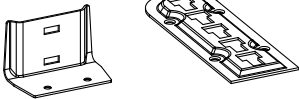
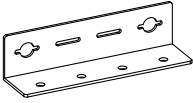
# ANGEL 93

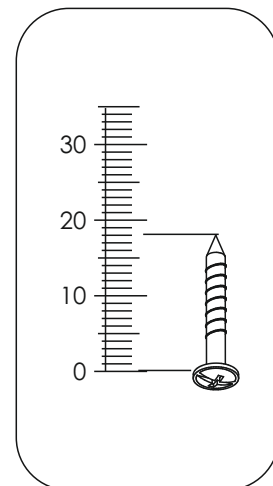




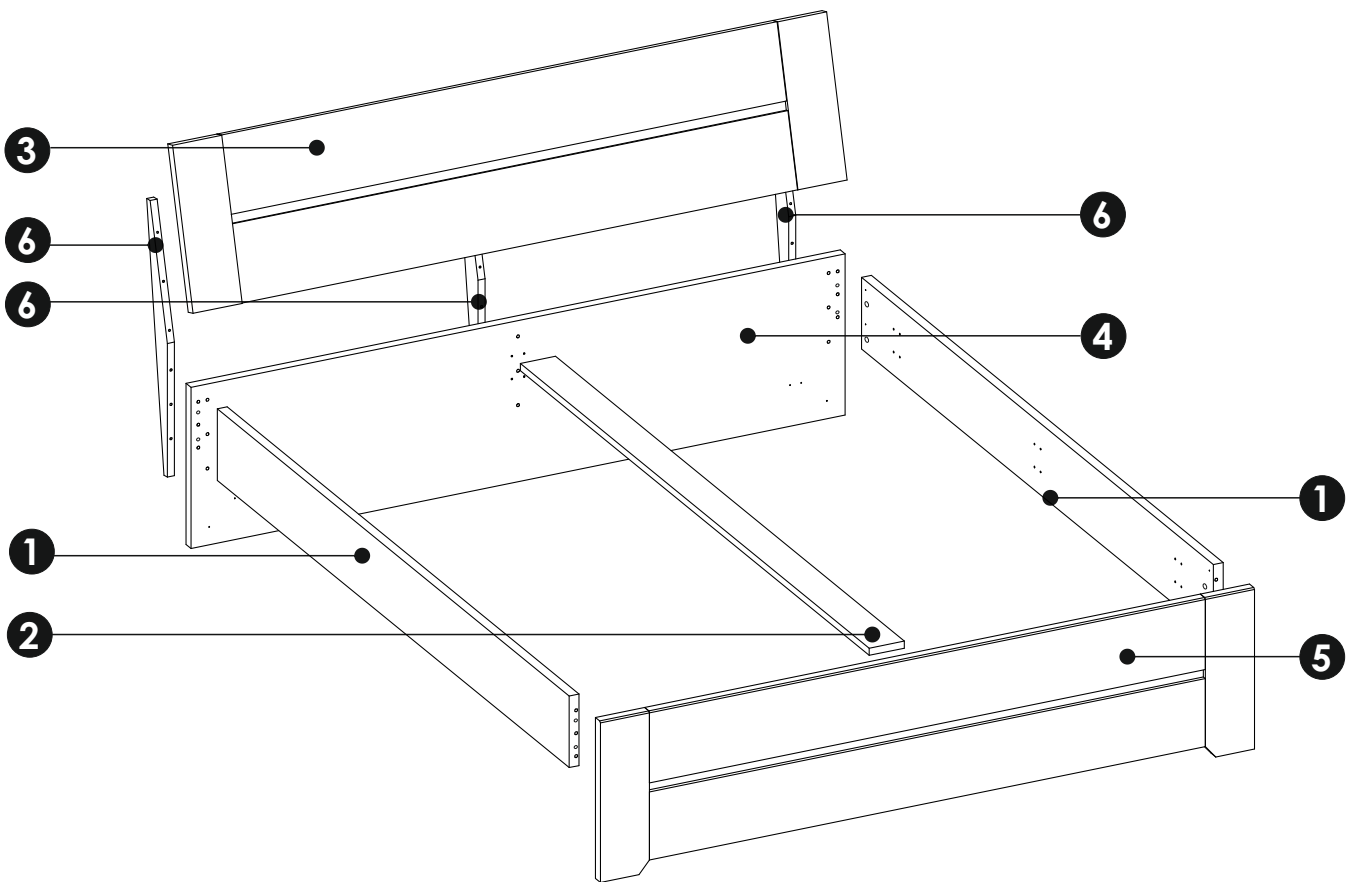
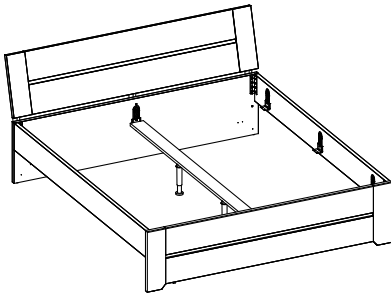
# ANGEL 93



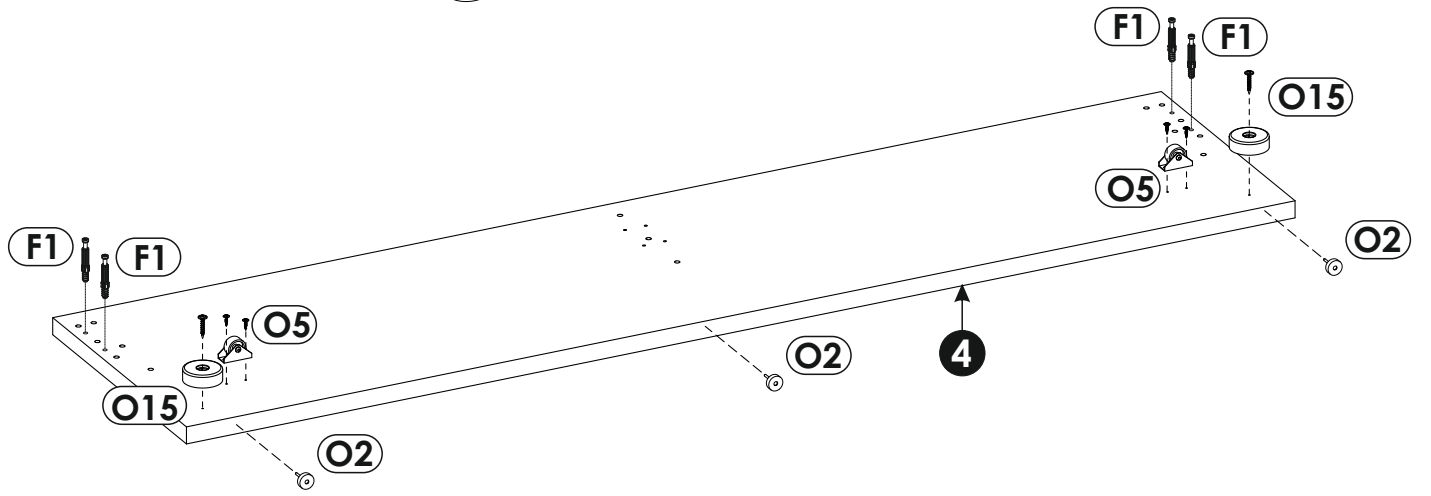
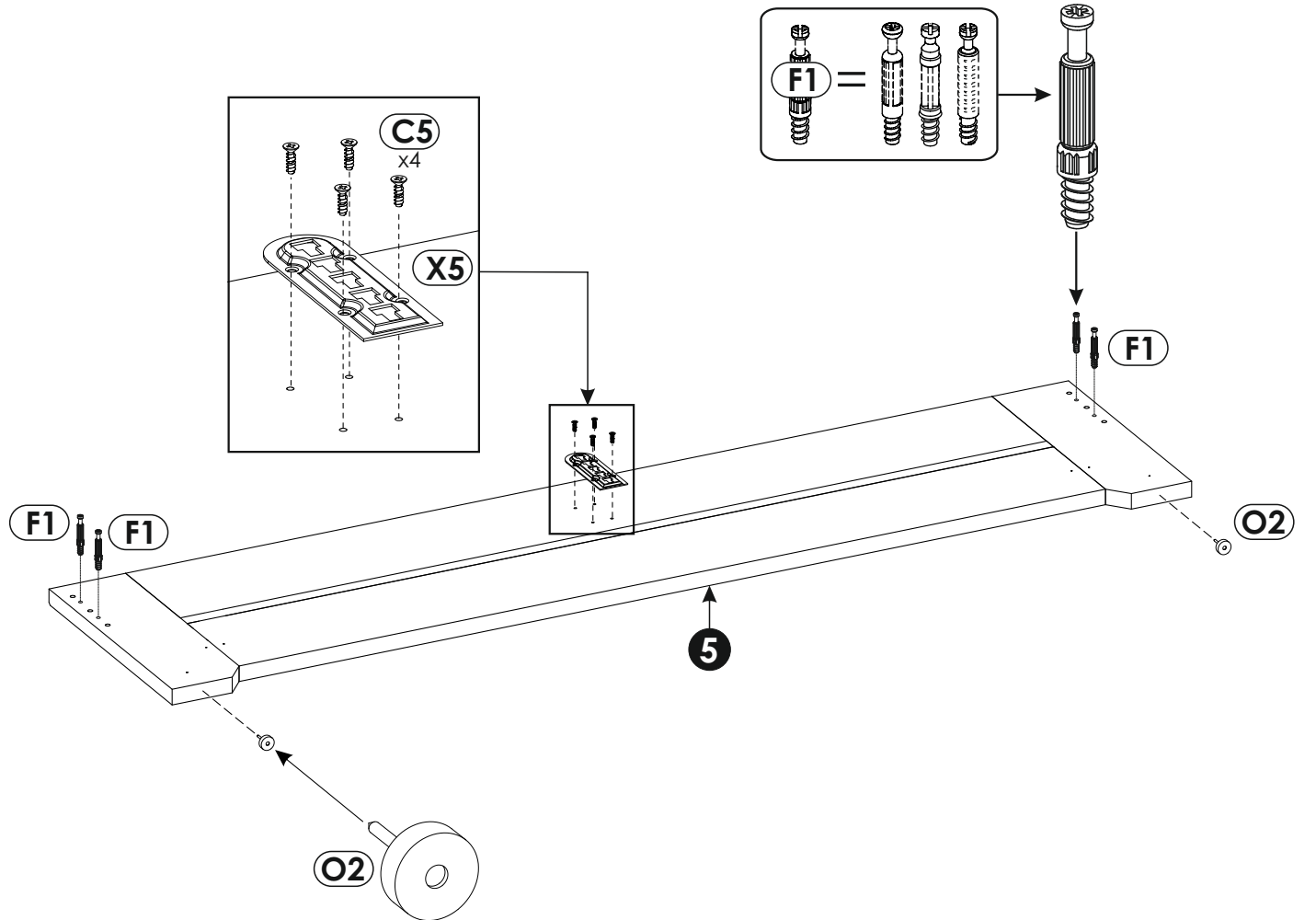
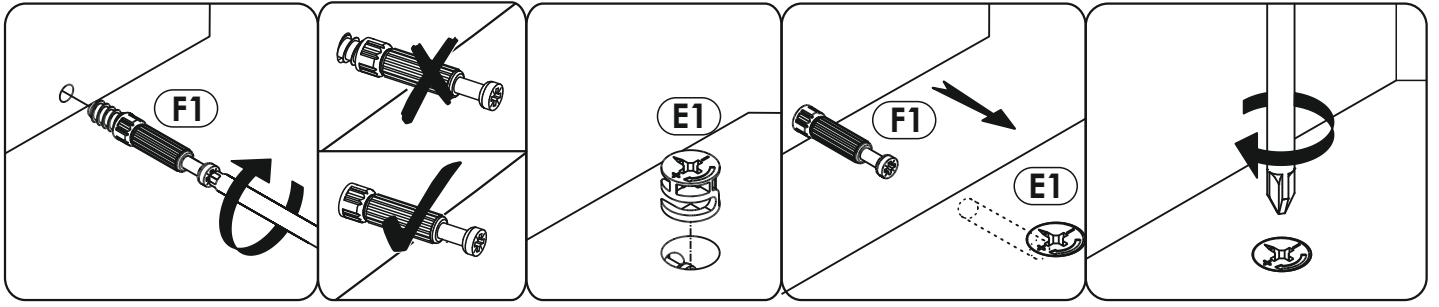
<b>A1</b> $\varnothing 8 \times 35 \text{ mm}$ <b>x12</b> 	<b>C5</b> $5 \times 16 \text{ mm}$ <b>x32</b> 	<b>E1</b> $15 \times 12 \text{ mm}$ <b>x8</b> 
<b>F1</b> $6 \times 34 \text{ mm}$ <b>x8</b> 	<b>G1</b> $\varnothing 7 \times 50 \text{ mm}$ <b>x9</b> 	<b>I8</b> $4 \times 20 \text{ mm}$ <b>x36</b> 
<b>J6</b> $4 \times 35 \text{ mm}$ <b>x9</b> 	<b>M</b> 	<b>N2</b> $3,5 \times 16 \text{ mm}$ <b>x16</b> 
<b>O2</b> 	<b>O20</b> 	<b>O21</b> 
<b>X5</b> 	<b>X6</b> 	



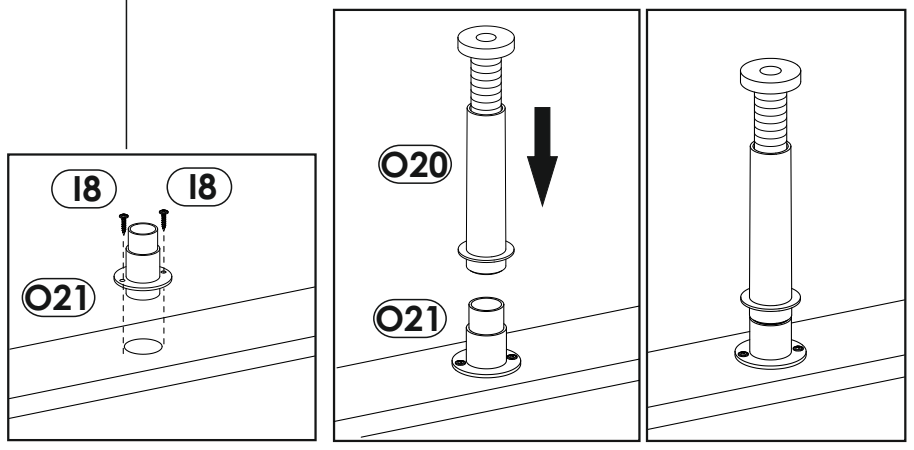
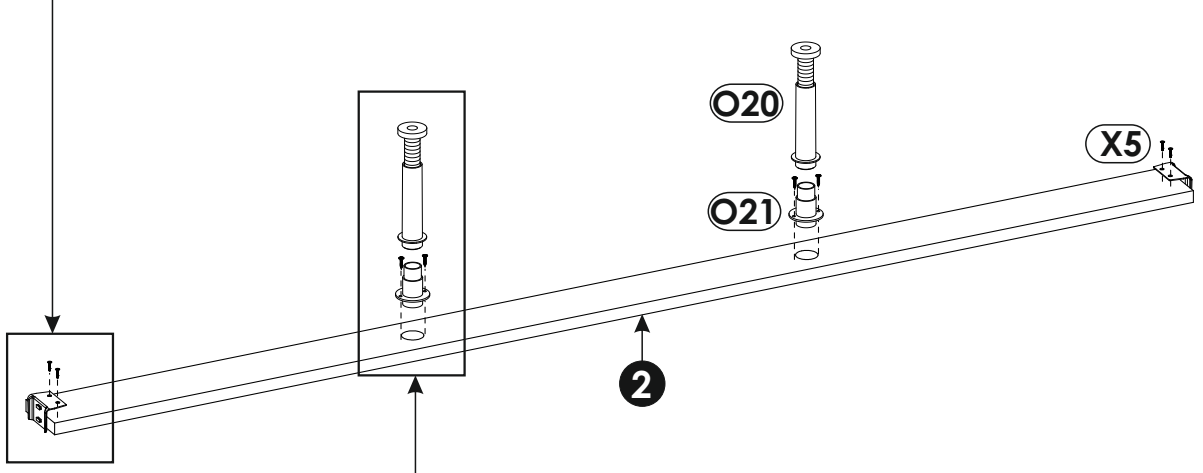
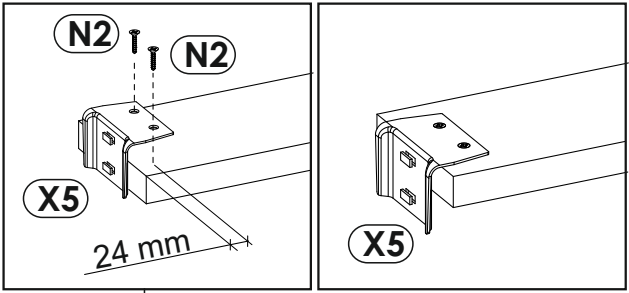
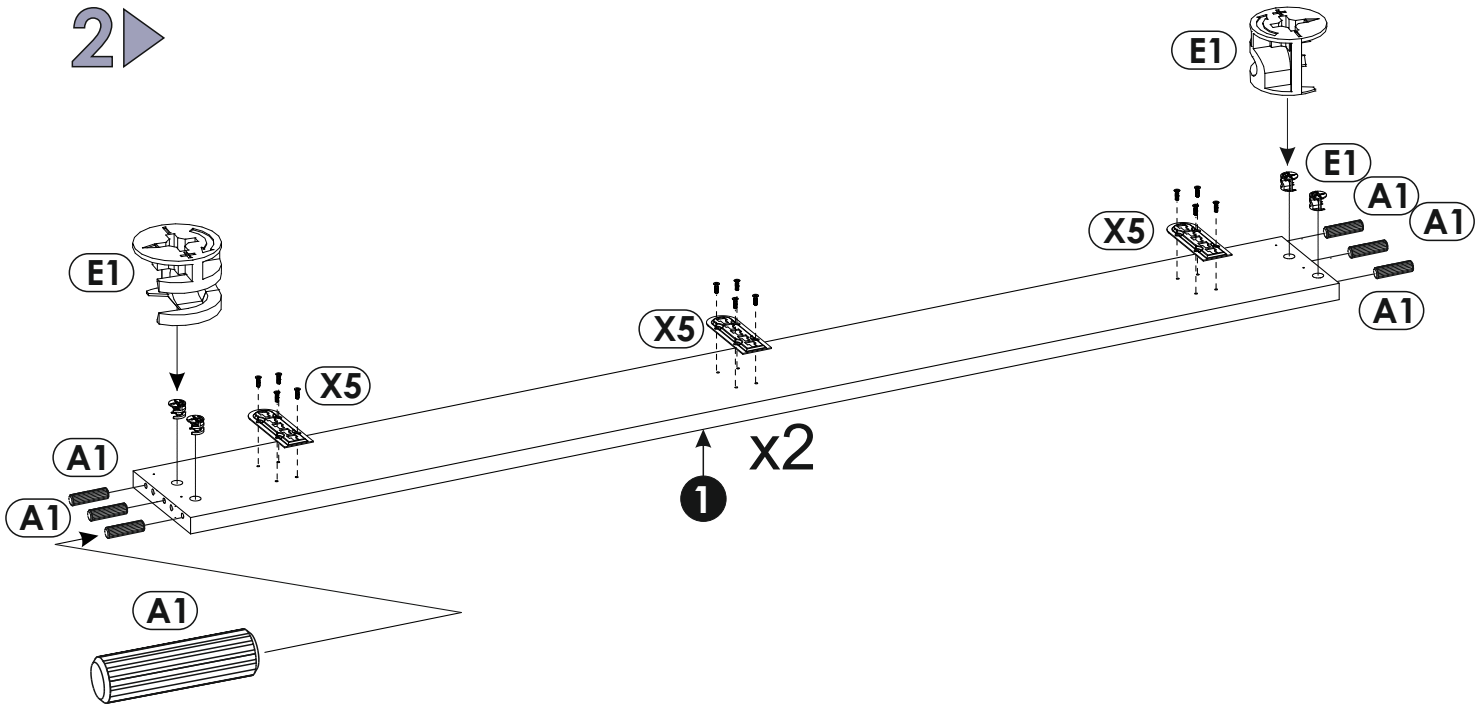
# ANGEL 93



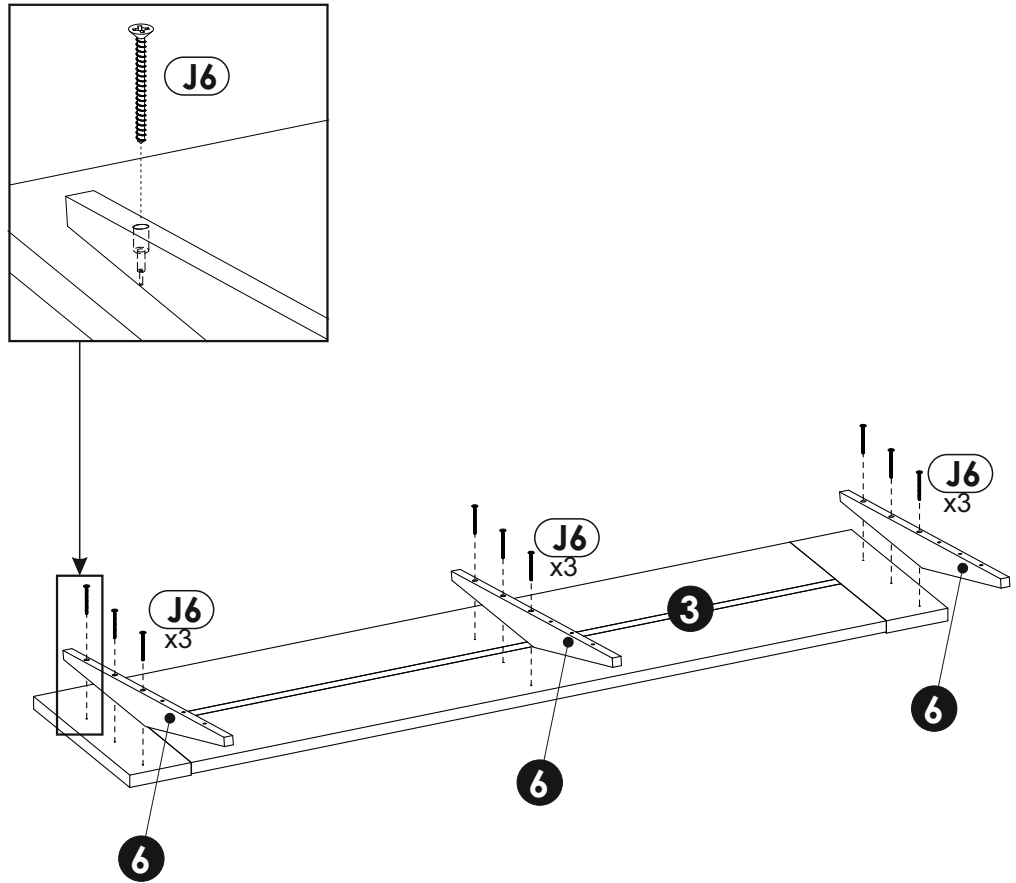
<b>1</b>	2005	200	28	x2	1/3
<b>2</b>	1988	100	20	x1	1/3
<b>3</b>	1864	439	28	x1	2/3
<b>4</b>	1864	450	28	x1	3/3
<b>5</b>	1864	450	28	x1	2/3
<b>6</b>	740	70	20	x3	1/3



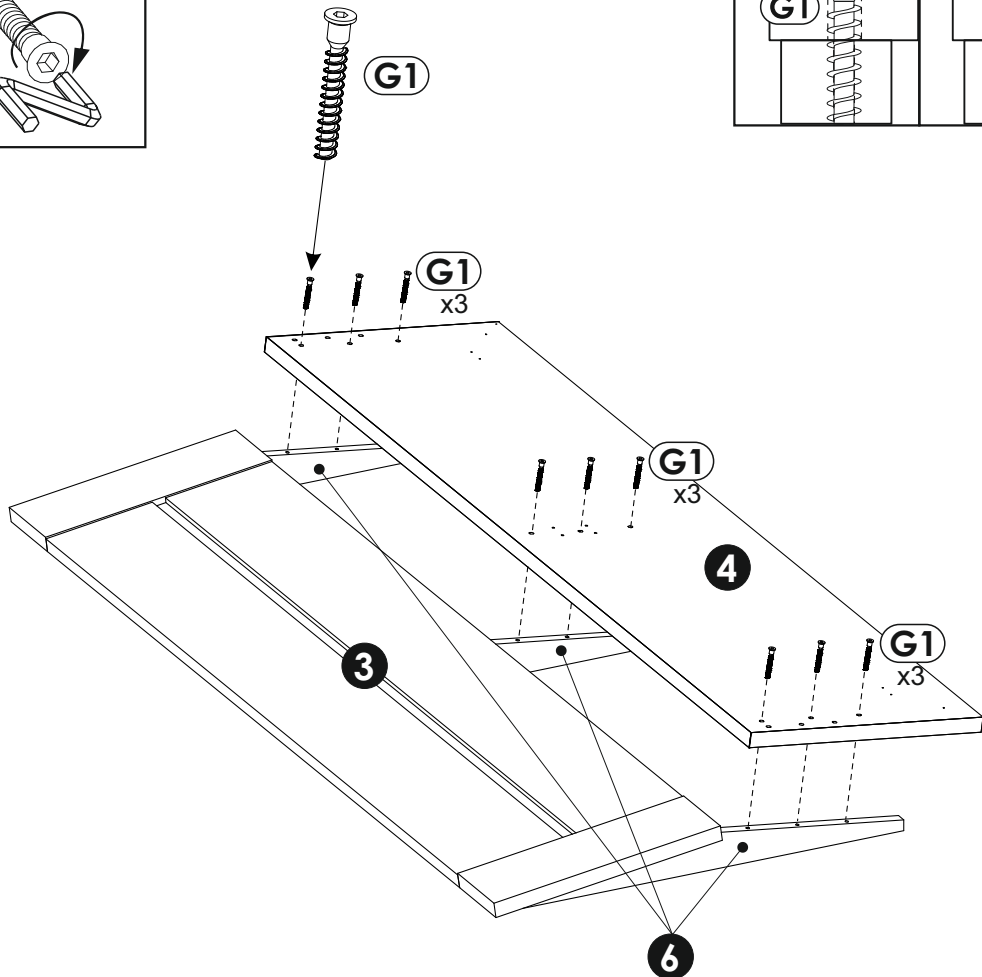
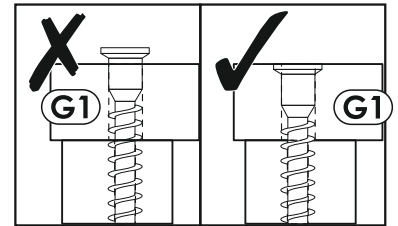
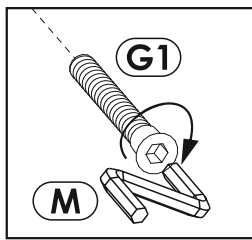
2



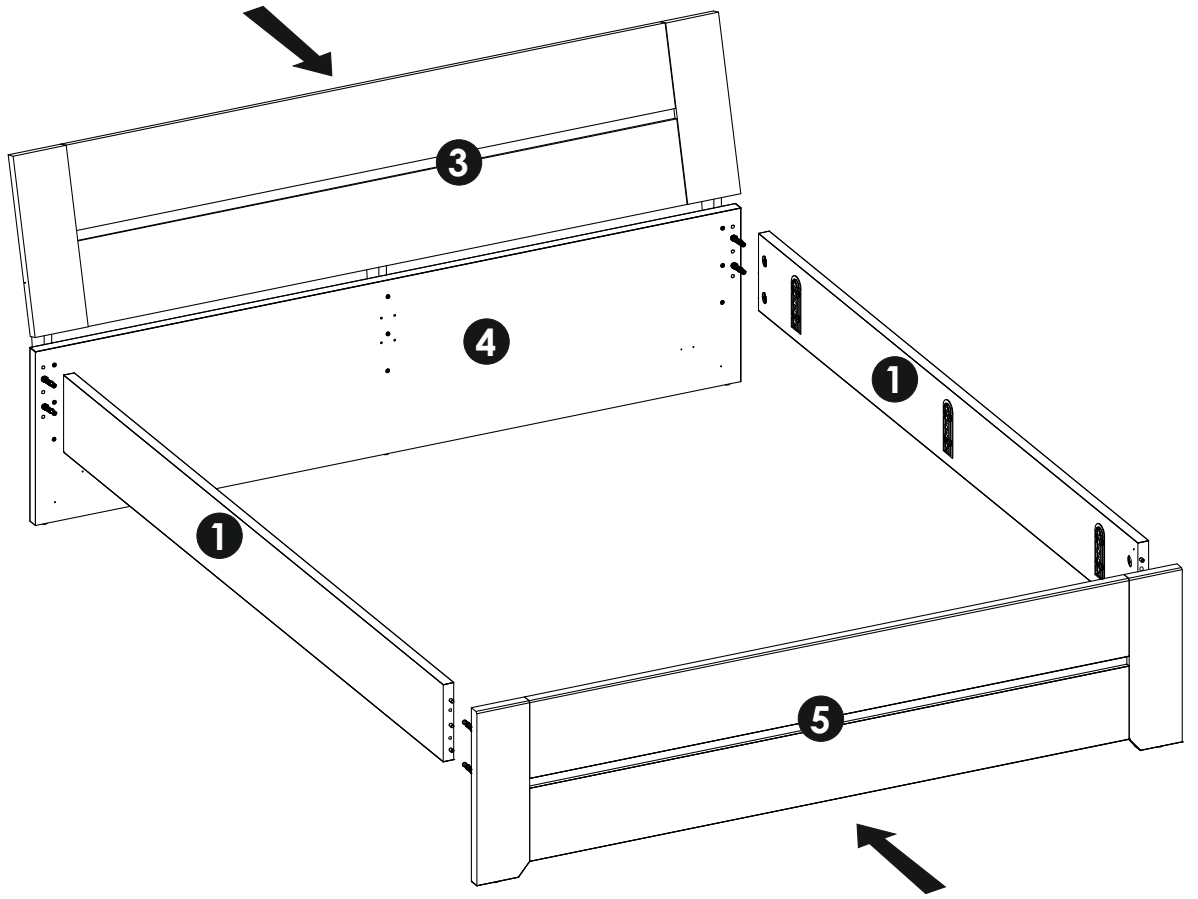
3 ▶



4 ▶



5



6 ▶

